

Interfacing to AC Power Lines

Author: Doug Cox
Logic Products Division

INTRODUCTION

This application note describes a simple method for measuring parameters from the AC power line. Parameters such as zero crossing, frequency, and relative phase can be measured. The method is useful for measurements on 50, 60, and 400 Hz power systems with voltages up to several hundred volts. The method requires only one external component, a resistor, and is more reliable than previously published methods using capacitors or bulky, expensive transformers.

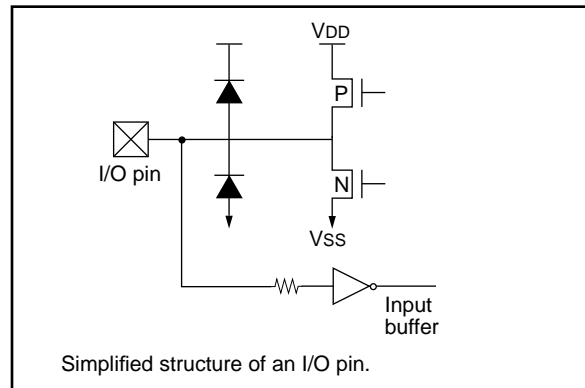
APPLICATIONS

This measurement method can be used in any application where power line parameters are used for system measurements or control. Typical applications are for switch timing (what part of the power cycle should the system be activated), power factor correction, power measurement, and power line monitor. An additional application is to generate timing or clock functions using the relatively stable power line frequency. The method is also useful for calibrating the oscillator frequency for accurate timing measurements when an inaccurate reference such as an RC oscillator is used to clock the PIC16C5X.

THEORY OF OPERATION

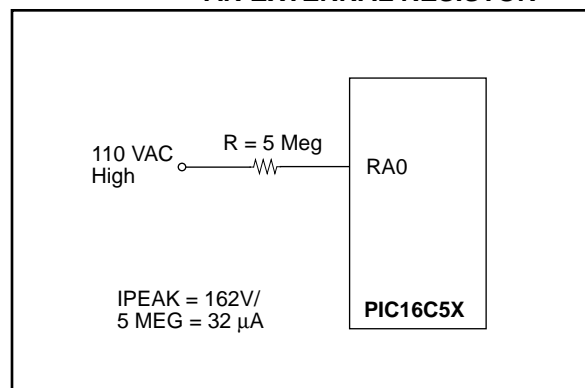
The application takes advantage of the input static protection circuitry that exists on all I/O pins of a CMOS PIC16C5X. These protection circuits are designed to short the inputs to the power supplies when a large overvoltage is applied, thus protecting the chip from static electricity spikes. On the PIC16C5X microcontrollers, this protection circuit is two large P-N diodes on each input (Figure 1). These diodes will short any voltage higher than V_{DD} to the V_{DD} supply and any voltage less than V_{SS} to the V_{SS} supply. They can take several milliamps of current without any damage to the chip. High voltages can be applied directly to the chip inputs as long as they are current limited.

FIGURE 1: PIC16C5X SERIES INPUT PROTECTION CIRCUIT ON I/O PINS



The least expensive method of current limiting is using a high value resistor. This method is shown schematically in Figure 2. The power line voltage is current limited by the resistor and then clamped by the input protection diodes internal to the PIC16C5X. A typical input waveform is shown in Figure 5. A 115V AC, 60 cycle sine wave will traverse from 0 to 2V in 32 μ s so a typical threshold of 2V on the PIC16C5X I/O port will permit zero crossing detection accuracy of about 30 μ s. If the typical capacitance on an I/O pin is 5 pF, then R should be $(T = RC)$ 6M Ω or less for best zero crossing accuracy. A 5M Ω resistor with 115V AC applied to it will limit current to 32 μ A, a value which is well within the safety margin of the PIC16C5X.

FIGURE 2: CURRENT LIMITING USING AN EXTERNAL RESISTOR



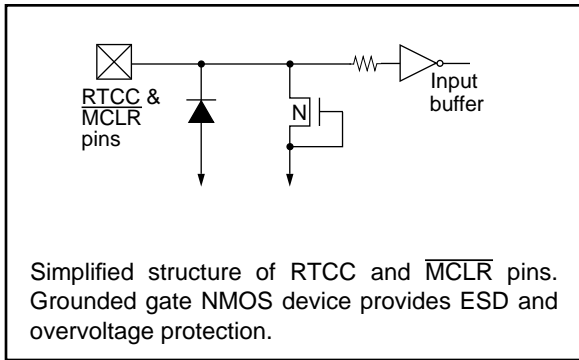
AN521

The user needs to be aware that the circuit required to connect the RTCC input to AC power line is slightly different. Each of the I/O pins has two diodes for input protection whereas RTCC pin has only one protection diode connecting to VSS (Figure 3). Therefore, it is necessary to connect a diode externally between RTCC pin and VDD in order to clamp the voltage on RTCC pin to $V_{DD} + 0.6V$ (approximately). See Figure 4. It is also recommended that resistor R be at least $2 M\Omega$.

RELIABILITY

Reliability of production devices that are directly connected to AC power is always a concern. Two failure modes are possible. First, the series resistor of Figure 1 might fail short, destroying the microcontroller.

FIGURE 3: INPUT STRUCTURE AND RTCC PIN



This is the most unlikely failure mode of a resistor, and resistors are more reliable than transformers or capacitors, which are the alternate components for measuring line parameters. This reliability can be enhanced even further by using two resistors in series. Both would have to fail short to cause catastrophic failure, a very unlikely event. The second possible failure mode is that excessive injection of current into the PIC16C5X input might cause the protection diode to open. This would allow the input to go to the power line peak voltage (162V) and short the input transistor gate oxide, causing device failure. The maximum continuous injection current into an I/O pin is specified $\pm 500 \mu A$.

FIGURE 4: CONNECTING AC POWER LINE TO RTCC PIN

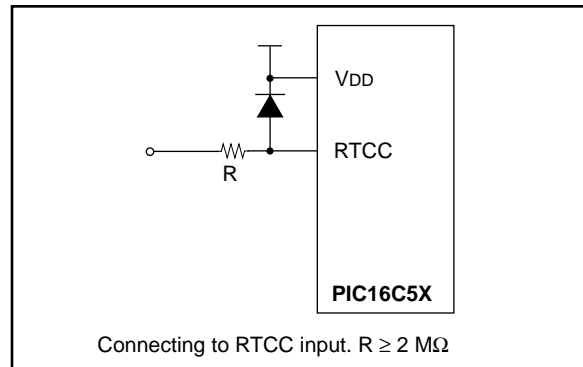
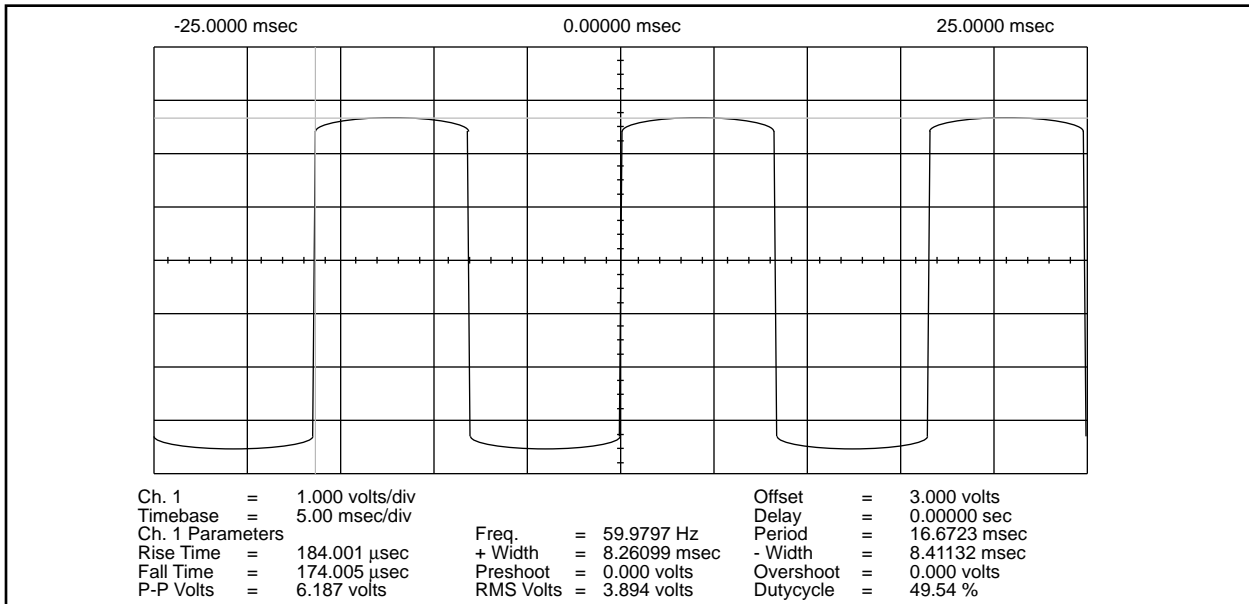


FIGURE 5: INPUT WAVEFORM



Waveform at part pin (RAO) •

R = 100K; Line: 60 Hz, 110V

WORLDWIDE SALES & SERVICE

AMERICAS

Corporate Office

Microchip Technology Inc.
2355 West Chandler Blvd.
Chandler, AZ 85224-6199
Tel: 602 786-7200 Fax: 602 786-7277
Technical Support: 602 786-7627
Web: <http://www.microchip.com>

Atlanta

Microchip Technology Inc.
500 Sugar Mill Road, Suite 200B
Atlanta, GA 30350
Tel: 770 640-0034 Fax: 770 640-0307

Boston

Microchip Technology Inc.
5 Mount Royal Avenue
Marlborough, MA 01752
Tel: 508 480-9990 Fax: 508 480-8575

Chicago

Microchip Technology Inc.
333 Pierce Road, Suite 180
Itasca, IL 60143
Tel: 708 285-0071 Fax: 708 285-0075

Dallas

Microchip Technology Inc.
14651 Dallas Parkway, Suite 816
Dallas, TX 75240-8809
Tel: 214 991-7177 Fax: 214 991-8588

Dayton

Microchip Technology Inc.
Suite 150
Two Prestige Place
Miamisburg, OH 45342
Tel: 513 291-1654 Fax: 513 291-9175

Los Angeles

Microchip Technology Inc.
18201 Von Karman, Suite 1090
Irvine, CA 92612
Tel: 714 263-1888 Fax: 714 263-1338

New York

Microchip Technmgy Inc.
150 Motor Parkway, Suite 416
Hauppauge, NY 11788
Tel: 516 273-5305 Fax: 516 273-5335

San Jose

Microchip Technology Inc.
2107 North First Street, Suite 590
San Jose, CA 95131
Tel: 408 436-7950 Fax: 408 436-7955

Toronto

Microchip Technology Inc.
5925 Airport Road, Suite 200
Mississauga, Ontario L4V 1W1, Canada
Tel: 905 405-6279 Fax: 905 405-6253

ASIA/PACIFIC

Hong Kong

Microchip Technology
RM 3801B, Tower Two
Metroplaza
223 Hing Fong Road
Kwai Fong, N.T. Hong Kong
Tel: 852 2 401 1200 Fax: 852 2 401 3431

India

Microchip Technology
No. 6, Legacy, Convent Road
Bangalore 560 025 India
Tel: 91 80 526 3148 Fax: 91 80 559 9840

Korea

Microchip Technology
168-1, Youngbo Bldg. 3 Floor
Samsung-Dong, Kangnam-Ku,
Seoul, Korea
Tel: 82 2 554 7200 Fax: 82 2 558 5934

Singapore

Microchip Technology
200 Middle Road
#10-03 Prime Centre
Singapore 188980
Tel: 65 334 8870 Fax: 65 334 8850

Shanghai

Microchip Technology
Unit 406 of Shanghai Golden Bridge Bldg.
2077 Yan'an Road West, Hongjiao District
Shanghai, Peoples Republic of China
Tel: 86 21 6275 5700
Fax: 011 86 21 6275 5060

Taiwan

Microchip Technology
10F-1C 207
Tung Hua North Road
Taipei, Taiwan, ROC
Tel: 886 2 717 7175 Fax: 886 2 545 0139

EUROPE

United Kingdom

Arizona Microchip Technology Ltd.
Unit 6, The Courtyard
Meadow Bank, Furlong Road
Bourne End, Buckinghamshire SL8 5AJ
Tel: 44 1628 850303 Fax: 44 1628 850178

France

Arizona Microchip Technology SARL
Zone Industrielle de la Bonde
2 Rue du Buisson aux Fraises
91300 Massy - France
Tel: 33 1 69 53 63 20 Fax: 33 1 69 30 90 79

Germany

Arizona Microchip Technology GmbH
Gustav-Heinemann-Ring 125
D-81739 Muenchen, Germany
Tel: 49 89 627 144 0 Fax: 49 89 627 144 44

Italy

Arizona Microchip Technology SRL
Centro Direzionale Colleone Pas Taurus 1
Viale Colleoni 1
20041 Agrate Brianza
Milan Italy
Tel: 39 39 6899939 Fax: 39 39 689 9883

JAPAN

Microchip Technology Intl. Inc.
Benex S-1 6F
3-18-20, Shin Yokohama
Kohoku-Ku, Yokohama
Kanagawa 222 Japan
Tel: 81 45 471 6166 Fax: 81 45 471 6122

8/13/96



MICROCHIP

All rights reserved. © 1996, Microchip Technology Incorporated, USA.

Information contained in this publication regarding device applications and the like is intended through suggestion only and may be superseded by updates. No representation or warranty is given and no liability is assumed by Microchip Technology Incorporated with respect to the accuracy or use of such information, or infringement of patents or other intellectual property rights arising from such use or otherwise. Use of Microchip's products as critical components in life support systems is not authorized except with express written approval by Microchip. No licenses are conveyed, implicitly or otherwise, under any intellectual property rights. The Microchip logo and name are registered trademarks of Microchip Technology Inc. All rights reserved. All other trademarks mentioned herein are the property of their respective companies.
