

1K/2K/4K 5.0V CMOS Serial EEPROM

FEATURES

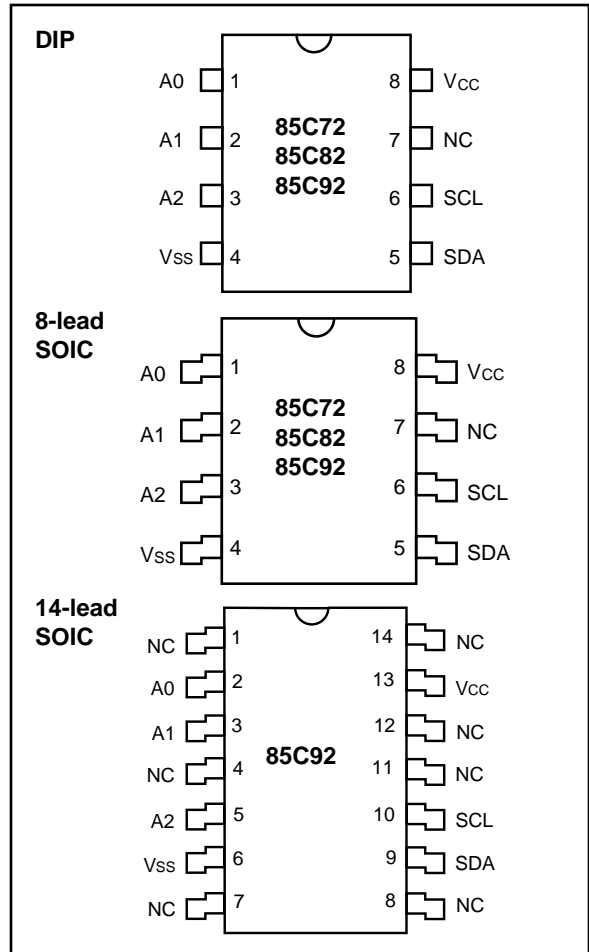
- Low power CMOS technology
- Two wire serial interface bus, I²C™ compatible
- 5 volt only operation
- Self-timed write cycle (including auto-erase)
- Page-write buffer
- 1ms write cycle time for single byte
- **1,000,000 ERASE/WRITE cycles guaranteed**
- Data retention >200 years
- 8-pin DIP or SOIC package
- Available for extended temperature ranges:
 - Commercial: 0°C to +70°C
 - Industrial: -40°C to +85°C
 - Automotive: -40°C to +125°C

| | 85C72 | 85C82 | 85C92 |
|-------------------|---------|---------|-------------|
| Organization | 128 x 8 | 256 x 8 | 2 x 256 x 8 |
| Page Write Buffer | 2 Bytes | 2 Bytes | 8 Bytes |

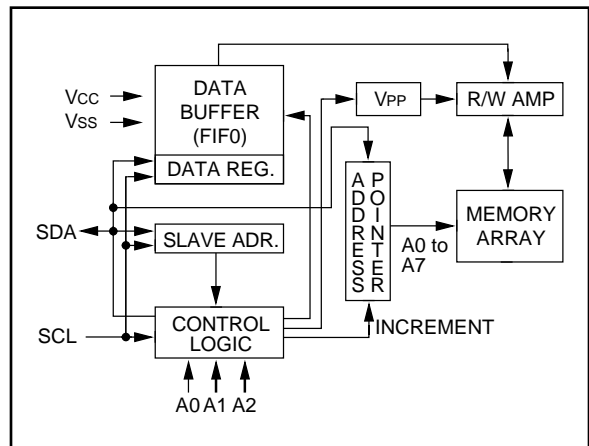
DESCRIPTION

The Microchip Technology Inc. 85C72/82/92 is a 1K/2K/4K bit Electrically Erasable PROM. The device is organized as shown with a two wire serial interface. Advanced CMOS technology allows a significant reduction in power over NMOS serial devices. The 85C72/82/92 also has a page-write capability for up to 8 bytes of data (see chart). Up to eight 85C72/82/92s may be connected to the two wire bus. The 85C72/82/92 is available in standard 8-pin DIP and surface mount SOIC packages.

PACKAGE TYPE



BLOCK DIAGRAM



I²C is a trademark of Philips Corporation

1.0 ELECTRICAL CHARACTERISTICS

1.1 Maximum Ratings*

V_{CC}..... 7.0V
 All inputs and outputs w.r.t. V_{SS} -0.6V to V_{CC} +1.0V
 Storage temperature -65°C to +150°C
 Ambient temp. with power applied -65°C to +125°C
 Soldering temperature of leads (10 seconds) ... +300°C
 ESD protection on all pins 4 kV

***Notice:** Stresses above those listed under "Maximum ratings" may cause permanent damage to the device. This is a stress rating only and functional operation of the device at those or any other conditions above those indicated in the operational listings of this specification is not implied. Exposure to maximum rating conditions for extended periods may affect device reliability.

TABLE 1-1: PIN FUNCTION TABLE

| Name | Function |
|-----------------|----------------------------------|
| A0, A1, A2 | Chip Address Inputs |
| V _{SS} | Ground |
| SDA | Serial Address/Data Input/Output |
| SCL | Serial Clock |
| NC | No Connect |
| V _{CC} | +5V Power Supply |

TABLE 1-2: DC CHARACTERISTICS

| V _{CC} = +5V (10%) | | Commercial (C): T _{amb} = 0°C to +70°C | | Industrial (I): T _{amb} = -40°C to +85°C | | Automotive (E): T _{amb} = -40°C to 125°C | |
|--------------------------------------|------------------------------------|---|-----------------------|---|--|---|--|
| Parameter | Symbol | Min | Max | Units | Conditions | | |
| V _{CC} detector threshold | V _{TH} | 2.8 | 4.5 | V | | | |
| SCL and SDA pins: | | | | | | | |
| High level input voltage | V _{IH} | V _{CC} x 0.7 | V _{CC} + 1 | V | | | |
| Low level input voltage | V _{IL} | -0.3 | V _{CC} x 0.3 | V | | | |
| Low level output voltage | V _{OL} | | 0.4 | V | I _{OL} = 3.2 mA (SDA Only) | | |
| A0, A1 & A2 pins: | | | | | | | |
| High level input voltage | V _{IH} | V _{CC} - 0.5 | V _{CC} + 0.5 | V | | | |
| Low level input voltage | V _{IL} | -0.3 | 0.5 | V | | | |
| Input leakage current | I _{LI} | — | 10 | μA | V _{IN} = 0V TO V _{CC} | | |
| Output leakage current | I _{LO} | — | 10 | μA | V _{OUT} = 0V TO V _{CC} | | |
| Pin capacitance (all inputs/outputs) | C _{IN} , C _{OUT} | — | 7.0 | pF | V _{IN} /V _{OUT} = 0V (Note 1) T _{amb} = +25°C, f = 1 MHz | | |
| Operating current | I _{CCO} | — | 3.5 | mA | F _{CLK} = 100 kHz, program cycle time = 1 ms, V _{CC} = 5V, T _{amb} = 0°C to +70°C | | |
| | | | 4.25 | mA | F _{CLK} = 100 kHz, program cycle time = 1 ms, V _{CC} = 5V, T _{amb} = (I) and (E) | | |
| read cycle | I _{CCR} | — | 750 | μA | V _{CC} = 5V, T _{amb} = (C), (I) and (E) | | |
| Standby current | I _{CCS} | — | 100 | μA | SDA=SCL=V _{CC} =5V (no PROGRAM active) | | |

Note 1: This parameter is periodically sampled and not 100% tested.

FIGURE 1-1: BUS TIMING START/STOP

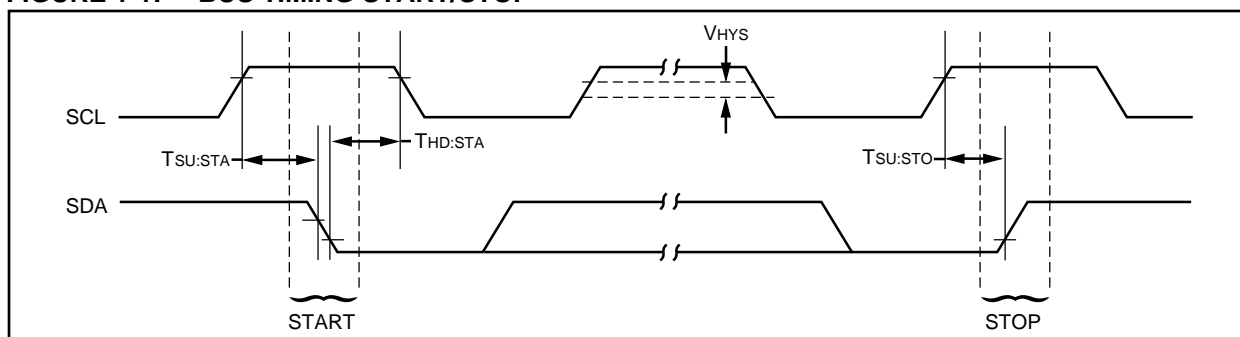
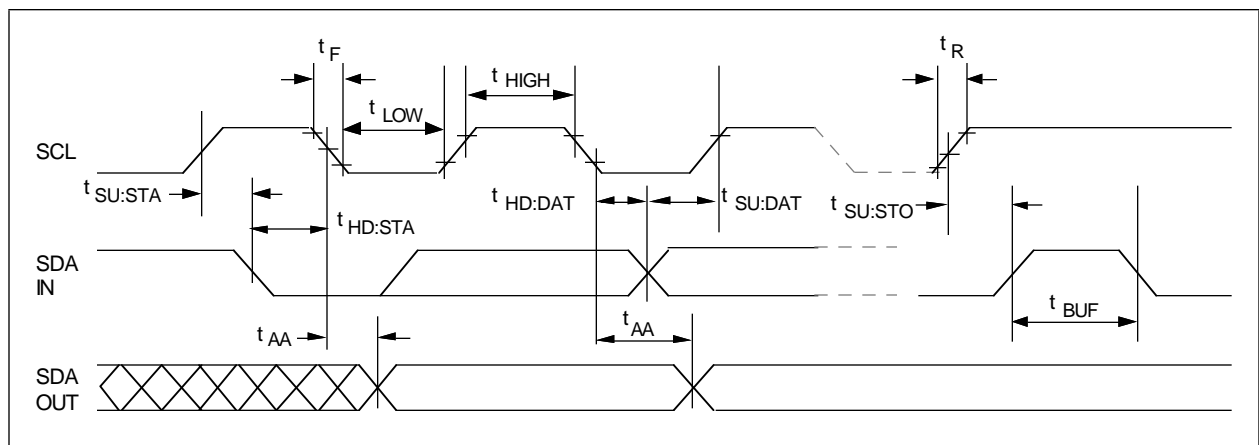


TABLE 1-3: AC CHARACTERISTICS

| Parameter | Symbol | Min | Typ | Max | Units | Remarks |
|---|---------------------|------|-----------|--------|----------|---|
| Clock frequency | FCLK | — | — | 100 | kHz | |
| Clock high time | T _{HIGH} | 4000 | — | — | ns | |
| Clock low time | T _{LOW} | 4700 | — | — | ns | |
| SDA and SCL rise time | T _R | — | — | 1000 | ns | |
| SDA and SCL fall time | T _F | — | — | 300 | ns | |
| START condition hold time | T _{HD:STA} | 4000 | — | — | ns | After this period the first clock pulse is generated |
| START condition setup time | T _{SU:STA} | 4700 | — | — | ns | Only relevant for repeated START condition |
| Data input hold time | T _{HD:DAT} | 0 | — | — | ns | |
| Data input setup time | T _{SU:DAT} | 250 | — | — | ns | |
| Data output delay time | T _{PD} | 300 | — | 3500 | ns | Note 1 |
| STOP condition setup time | T _{SU:STO} | 4700 | — | — | ns | |
| Bus free time | T _{BUF} | 4700 | — | — | ns | Time the bus must be free before a new transmission can start |
| Input filter time constant (SDA and SCL pins) | T _I | — | — | 100 | ns | |
| Program cycle time | T _{WC} | — | .4 .4N | 1 N | ms ms | Byte Mode Page Mode, N = # of bytes to be written |

Note 1: As transmitter the device must provide this internal minimum delay time to bridge the undefined region (minimum 300 ns) of the falling edge of SCL to avoid unintended generation of START or STOP conditions.

FIGURE 1-2: BUS TIMING DATA



2.0 FUNCTIONAL DESCRIPTION

The 85C72/82/92 supports a bidirectional two wire bus and data transmission protocol. A device that sends data onto the bus is defined as transmitter, and a device receiving data as receiver. The bus has to be controlled by a master device which generates the serial clock (SCL), controls the bus access, and generates the START and STOP conditions, while the 85C72/82/92 works as slave. Both, master and slave can operate as transmitter or receiver, but the master device determines which mode is activated.

Up to eight 85C72/82/92s can be connected to the bus, selected by the A0, A1 and A2 chip address inputs. Other devices can be connected to the bus, but require different device codes than the 85C72/82/92 (refer to section Slave Address).

3.0 BUS CHARACTERISTICS

The following **bus protocol** has been defined:

- Data transfer may be initiated only when the bus is not busy.
- During data transfer, the data line must remain stable whenever the clock line is HIGH. Changes in the data line while the clock line is HIGH will be interpreted as a START or STOP condition.

Accordingly, the following bus conditions have been defined (see Figure 3-1).

3.1 Bus not Busy (A)

Both data and clock lines remain HIGH.

3.2 Start Data Transfer (B)

A HIGH to LOW transition of the SDA line while the clock (SCL) is HIGH determines a START condition. All commands must be preceded by a START condition.

3.3 Stop Data Transfer (C)

A LOW to HIGH transition of the SDA line while the clock (SCL) is HIGH determines a STOP condition. All operations must be ended with a STOP condition.

3.4 Data Valid (D)

The state of the data line represents valid data when, after a start condition, the data line is stable for the duration of the HIGH period of the clock signal.

The data on the line must be changed during the LOW period of the clock signal. There is one clock pulse per bit of data.

Each data transfer is initiated with a START condition and terminated with a STOP condition. The number of the data bytes transferred between the START and STOP conditions is determined by the master device and is theoretically unlimited.

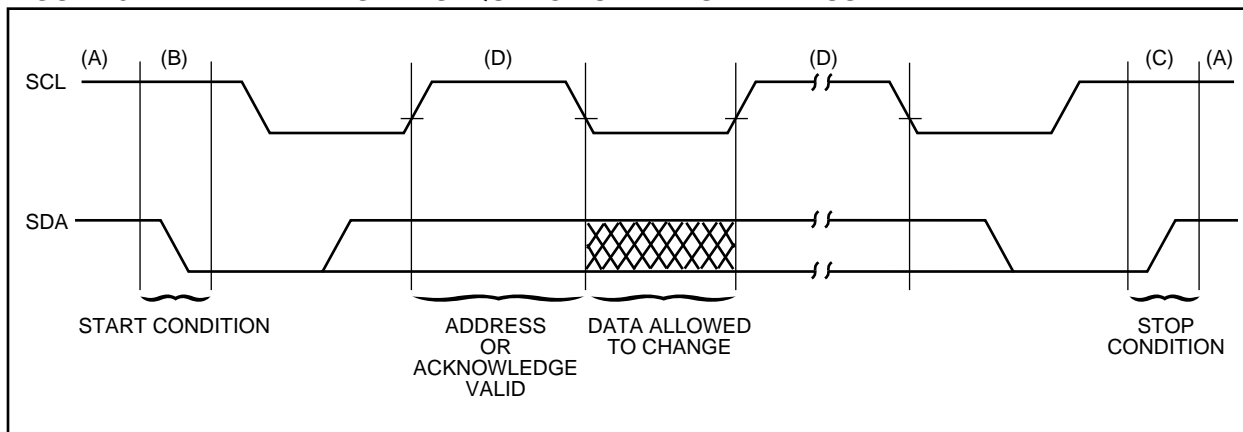
3.5 Acknowledge

Each receiving device, when addressed, is obliged to generate an acknowledge after the reception of each byte. The master device must generate an extra clock pulse which is associated with this acknowledge bit.

Note: The 85C72/82/92 does not generate any acknowledge bits if an internal programming cycle is in progress.

The device that acknowledges, has to pull down the SDA line during the acknowledge clock pulse in such a way that the SDA line is stable LOW during the HIGH period of the acknowledge related clock pulse. Of course, setup and hold times must be taken into account. A master must signal an end of data to the slave by not generating an acknowledge bit on the last byte that has been clocked out of the slave. In this case the slave must leave the data line HIGH to enable the master to generate the STOP condition

FIGURE 3-1: DATA TRANSFER SEQUENCE ON THE SERIAL BUS



4.0 SLAVE ADDRESS

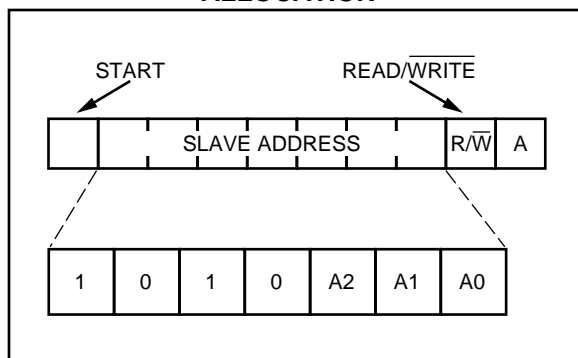
The chip address inputs A0, A1 and A2 of each 85C72/82/92 must be externally connected to either VCC or ground (Vss), assigning to each 85C72/82/92 a unique 3-bit address. Up to eight 85C72/82/92s may be connected to the bus. Chip selection is then accomplished through software by setting the bits A0, A1 and A2 of the transmitted slave address to the corresponding hardwired logic levels of the selected 85C72/82/92.

After generating a START condition, the bus master transmits the slave address consisting of a 4-bit device code (1010) for the 85C72/82/92, followed by the chip address bits A0, A1 and A2. In the 85C92 the seventh bit of that byte (BA) is used to select the upper block (addresses 100 - 1FF) or the lower block (000 - FFF) of the array.

The eighth bit of slave address determines if the master device wants to read or write to the 85C72/82/92 (see Figure 4-1).

The 85C72/82/92 monitors the bus for its corresponding slave address all the time. It generates an acknowledge bit if the slave address was true and it is not in a programming mode.

FIGURE 4-1: SLAVE ADDRESS ALLOCATION



5.0 BYTE PROGRAM MODE

In this mode, the master sends addresses and one data byte to the 85C72/82/92.

Following the START condition, the device code (4-bit), the slave address (3-bit), and the R/W bit, which is logic LOW, are placed onto the bus by the master. This indicates to the addressed 85C72/82/92 that a byte with a word address will follow after it has generated an acknowledge bit. Therefore, the next byte transmitted by the master is the word address and will be written into the address pointer of the 85C72/82/92. After receiving the acknowledge of the 85C72/82/92, the master device transmits the data word to be written into the addressed memory location. The 85C72/82/92 acknowledges again and the master generates a STOP condition. This initiates the internal programming cycle of the 85C72/82/92 (see Figure 6-1).

6.0 PAGE PROGRAM MODE

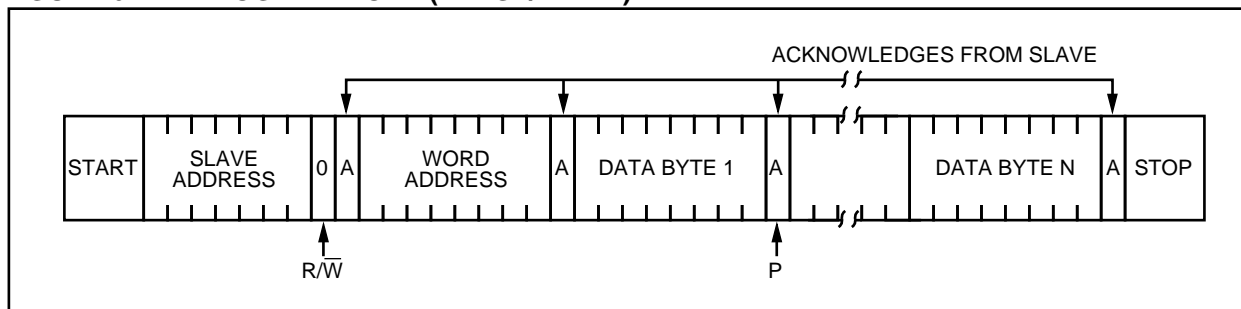
To program the 85C72/82/92, the master sends addresses and data to the 85C72/82/92 which is the slave (see Figure 6-1). This is done by supplying a START condition followed by the 4-bit device code, the 3-bit slave address, and the R/W bit which is defined as a logic LOW for a write. This indicates to the addressed slave that a word address will follow so the slave outputs the acknowledge pulse to the master during the ninth clock pulse. When the word address is received by the 85C72/82/92, it places it in the lower 8 bits of the address pointer defining which memory location is to be written. The 85C72/82/92 will generate an acknowledge after every 8 bits received and store them consecutively in a 2-byte RAM until a stop condition is detected which initiates the internal programming cycle. If more than 2 bytes are transmitted by the master, the 85C72/82/92 will terminate the write cycle. This does not affect erase/write cycles of the EEPROM array.

If the master generates a STOP condition after transmitting the first data word (Point 'P' on Figure 6-1), byte programming mode is entered.

The internal, completely self-timed PROGRAM cycle starts after the STOP condition has been generated by the master and all received (up to two) data bytes will be written in a serial manner.

The PROGRAM cycle takes N milliseconds, whereby N is the number of received data bytes (N max = 2).

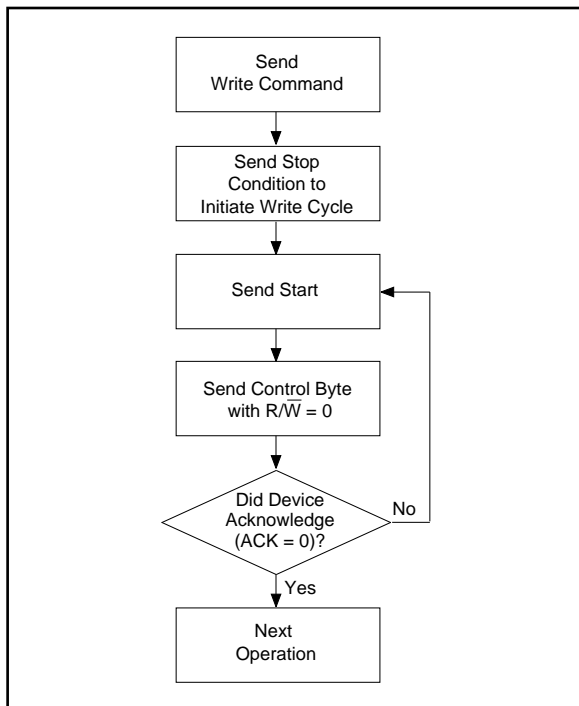
FIGURE 6-1: PROGRAM MODE (ERASE/WRITE)



7.0 ACKNOWLEDGE POLLING

Since the device will not acknowledge during a write cycle, this can be used to determine when the cycle is complete (this feature can be used to maximize bus throughput). Once the stop condition for a write command has been issued from the master, the device initiates the internally timed write cycle. ACK polling can be initiated immediately. This involves the master sending a start condition followed by the control byte for a write command ($R/\bar{W} = 0$). If the device is still busy with the write cycle, then no ACK will be returned. If the cycle is complete, then the device will return the ACK and the master can then proceed with the next read or write command. See Figure 7-1 for flow diagram.

FIGURE 7-1: ACKNOWLEDGE POLLING FLOW



8.0 READ MODE

This mode illustrates master device reading data from the 85C72/82/92.

As can be seen from Figure 8-1, the master first sets up the slave and word addresses by doing a write.

Note: Although this is a read mode, the address pointer must be written to.

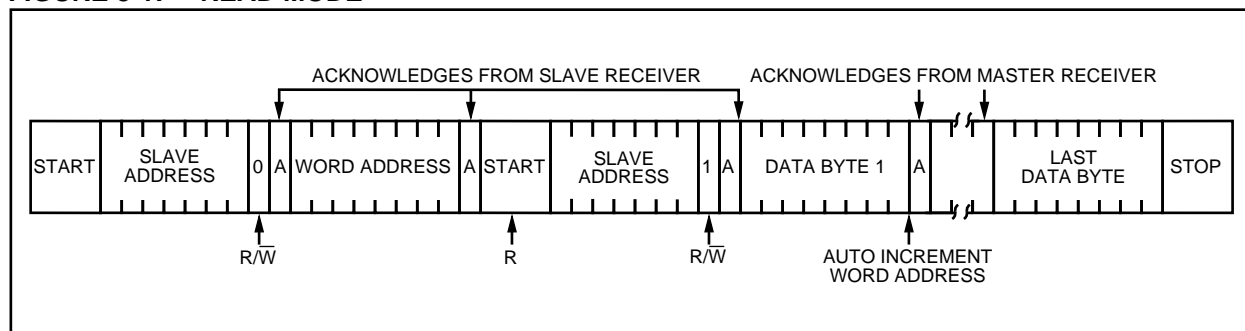
During this period the 85C72/82/92 generates the necessary acknowledge bits as defined in the appropriate section.

The master now generates another START condition and transmits the slave address again, except this time the read/write bit is set into the read mode. After the slave generates the acknowledge bit, it then outputs the data from the addressed location on to the SDA pin, increments the address pointer and, if it receives an acknowledge from the master, will transmit the next consecutive byte. This autoincrement sequence is only aborted when the master sends a STOP condition instead of an acknowledge.

Note 1: If the master knows where the address pointer is, it can begin the read sequence at point 'R' indicated on Figure 8-1 and save time transmitting the slave and word addresses.

Note 2: In all modes, the address pointer will automatically increment from the end of the memory block (256 byte) back to the first location in that block.

FIGURE 8-1: READ MODE



9.0 PIN DESCRIPTION

9.1 A0, A1 and A2 Chip Address Inputs

The levels on these inputs are compared with the corresponding bits in the slave address. The chip is selected if the compare is true. For 85C92, A0 is no function.

Up to eight 85C72/82s or four 85C92s can be connected to the bus.

These inputs must be connected to either Vss or Vcc.

9.2 SDA Serial Address/Data Input/Output

This is a bidirectional pin used to transfer addresses and data into and data out of the device. It is an open drain terminal, therefore the SDA bus requires a pullup resistor to Vcc (typical 10KW). For normal data transfer SDA is allowed to change only during SCL LOW. Changes during SCL HIGH are reserved for indicating the START and STOP conditions.

9.3 SCL Serial Clock

This input is used to synchronize the data transfer from and to the device.

9.4 NC No Connect

This pin can be left open or used as a tie point.

Note 1: A "page" is defined as the maximum number of bytes that can be programmed in a single write cycle. The 85C72/82 page is 2 bytes long and the 85C92 page is 8 bytes long.

Note 2: A "block" is defined as a continuous area of memory with distinct boundaries. The address pointer can not cross the boundary from one block to another. It will, however, wrap around from the end of a block to the first location in the same block. The 85C72/82 has only one block (256 bytes), while the 85C92 has two blocks of 256 bytes each.

85C72/82/92

85C72/82/92 Product Identification System

To order or to obtain information, e.g., on pricing or delivery, please use the listed part numbers, and refer to the factory or the listed sales offices.

| | |
|---------------------------|---|
| 85C82 - /P | |
| Package: | P = Plastic DIP (300 mil Body), 8-lead SM = Plastic SOIC (207 mil Body), 8-lead SL = Plastic SOIC 14-lead (85C92 only) |
| Temperature Range: | Blank = 0°C to +70°C I = -40°C to +85°C E = -40°C to +125°C |
| Device: | 85C72 1K CMOS Serial EEPROM 85C72T 1K CMOS Serial EEPROM (Tape and Reel) 85C82 2K CMOS Serial EEPROM 85C82T 2K CMOS Serial EEPROM (Tape and Reel) 85C92 4K CMOS Serial EEPROM 85C92T 4K CMOS Serial EEPROM (Tape and Reel) |

AMERICAS

Corporate Office

Microchip Technology Inc.
2355 West Chandler Blvd.
Chandler, AZ 85224-6199
Tel: 602 786-7200 Fax: 602 786-7277
Technical Support: 602 786-7627
Web: <http://www.mchip.com/biz/mchip>

Atlanta

Microchip Technology Inc.
500 Sugar Mill Road, Suite 200B
Atlanta, GA 30350
Tel: 770 640-0034 Fax: 770 640-0307

Boston

Microchip Technology Inc.
5 Mount Royal Avenue
Marlborough, MA 01752
Tel: 508 480-9990 Fax: 508 480-8575

Chicago

Microchip Technology Inc.
333 Pierce Road, Suite 180
Itasca, IL 60143
Tel: 708 285-0071 Fax: 708 285-0075

Dallas

Microchip Technology Inc.
14651 Dallas Parkway, Suite 816
Dallas, TX 75240-8809
Tel: 214 991-7177 Fax: 214 991-8588

Dayton

Microchip Technology Inc.
35 Rockridge Road
Englewood, OH 45322
Tel: 513 832-2543 Fax: 513 832-2841

Los Angeles

Microchip Technology Inc.
18201 Von Karman, Suite 455
Irvine, CA 92715
Tel: 714 263-1888 Fax: 714 263-1338

New York

Microchip Technology Inc.
150 Motor Parkway, Suite 416
Hauppauge, NY 11788
Tel: 516 273-5305 Fax: 516 273-5335

AMERICAS (continued)

San Jose

Microchip Technology Inc.
2107 North First Street, Suite 590
San Jose, CA 95131
Tel: 408 436-7950 Fax: 408 436-7955

ASIA/PACIFIC

Hong Kong

Microchip Technology
Unit No. 3002-3004, Tower 1
Metroplaza
223 Hing Fong Road
Kwai Fong, N.T. Hong Kong
Tel: 852 2 401 1200 Fax: 852 2 401 3431

Korea

Microchip Technology
168-1, Youngbo Bldg. 3 Floor
Samsung-Dong, Kangnam-Ku,
Seoul, Korea
Tel: 82 2 554 7200 Fax: 82 2 558 5934

Singapore

Microchip Technology
200 Middle Road
#10-03 Prime Centre
Singapore 188980
Tel: 65 334 8870 Fax: 65 334 8850

Taiwan

Microchip Technology
10F-1C 207
Tung Hua North Road
Taipei, Taiwan, ROC
Tel: 886 2 717 7175 Fax: 886 2 545 0139

EUROPE

United Kingdom

Arizona Microchip Technology Ltd.
Unit 6, The Courtyard
Meadow Bank, Furlong Road
Bourne End, Buckinghamshire SL8 5AJ
Tel: 44 0 1628 851077 Fax: 44 0 1628 850259

France

Arizona Microchip Technology SARL
2 Rue du Buisson aux Fraises
91300 Massy - France
Tel: 33 1 69 53 63 20 Fax: 33 1 69 30 90 79

Germany

Arizona Microchip Technology GmbH
Gustav-Heinemann-Ring 125
D-81739 Muenchen, Germany
Tel: 49 89 627 144 0 Fax: 49 89 627 144 44

Italy

Arizona Microchip Technology SRL
Centro Direzionale Colleoni
Palazzo Pegaso Ingresso No. 2
Via Paracelso 23, 20041
Agrate Brianza (MI) Italy
Tel: 39 039 689 9939 Fax: 39 039 689 9883

JAPAN

Microchip Technology Intl. Inc.
Benex S-1 6F
3-18-20, Shin Yokohama
Kohoku-Ku, Yokohama
Kanagawa 222 Japan
Tel: 81 45 471 6166 Fax: 81 45 471 6122

9/5/95



MICROCHIP

Printed in the USA, 9/95
© 1995, Microchip Technology Incorporated

"Information contained in this publication regarding device applications and the like is intended through suggestion only and may be superseded by updates. No representation or warranty is given and no liability is assumed by Microchip Technology Incorporated with respect to the accuracy or use of such information, or infringement of patents arising from such use or otherwise. Use of Microchip's products as critical components in life support systems is not authorized except with express written approval by Microchip. No licenses are conveyed, implicitly or otherwise, under any intellectual property rights." The Microchip logo and name are registered trademarks of Microchip Technology Inc. All rights reserved. All other trademarks mentioned herein are the property of their respective companies.