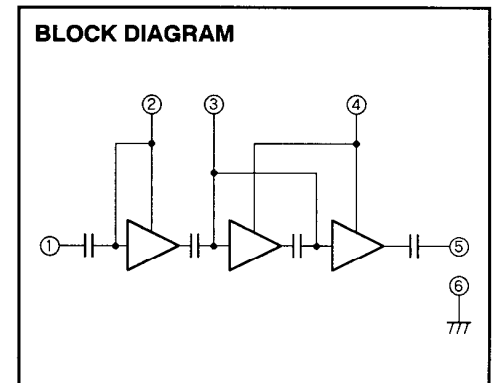
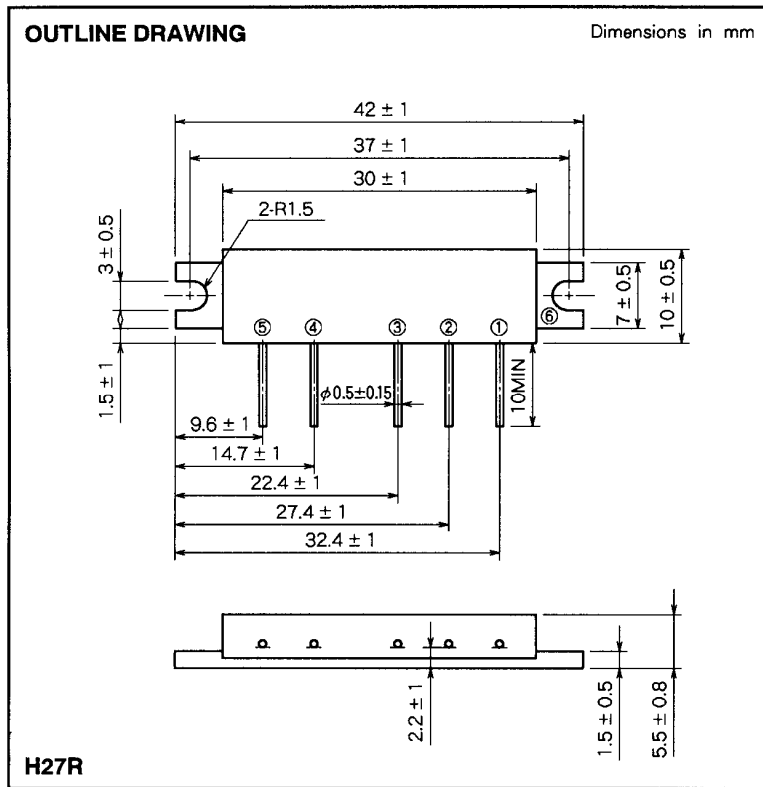


# M67749UHR

470-490MHz, 12.5V, 7W, FM PORTABLE RADIO



- PIN :
- ① Pin : RF INPUT
  - ② Vcc1 : 1st. DC SUPPLY
  - ③ VBB : BASE BIAS SUPPLY
  - ④ Vcc2 : 2nd. DC SUPPLY
  - ⑤ Po : RF OUTPUT
  - ⑥ GND : FIN

**ABSOLUTE MAXIMUM RATINGS** (Tc = 25°C unless otherwise noted)

Symbol	Parameter	Conditions	Ratings	Unit
Vcc	Supply voltage	V <sub>BB</sub> ≤ 5V	16	V
V <sub>BB</sub>	Base bias	V <sub>cc</sub> ≤ 12.5V	6	V
I <sub>cc</sub>	Total current		4	A
P <sub>in(max)</sub>	Input power	Z <sub>G</sub> = Z <sub>L</sub> = 50 Ω	40	mW
P <sub>O(max)</sub>	Output power	Z <sub>G</sub> = Z <sub>L</sub> = 50 Ω	10	W
T <sub>c(OP)</sub>	Operation case temperature		- 30 to 110	°C
T <sub>stg</sub>	Storage temperature		- 40 to 110	°C

Note. Above parameters are guaranteed independently.

**ELECTRICAL CHARACTERISTICS** (Tc = 25°C unless otherwise noted)

Symbol	Parameter	Test conditions	Limits		Unit
			Min	Max	
f	Frequency range	P <sub>in</sub> = 20mW V <sub>BB</sub> = 5V V <sub>cc</sub> = 12.5V Z <sub>G</sub> = Z <sub>L</sub> = 50 Ω	470	490	MHz
P <sub>o</sub>	Output power		7		W
η <sub>T</sub>	Total efficiency		38		%
2f <sub>o</sub>	2nd. harmonic			- 25	dBc
3f <sub>o</sub>	3rd. harmonic			- 30	dBc
ρ <sub>in</sub>	Input VSWR			2.5	-
-	Load VSWR tolerance	V <sub>cc2</sub> =13.2V, V <sub>BB</sub> =5V, P <sub>in</sub> = 20mW P <sub>o</sub> = 7W (V <sub>cc1</sub> : controlled) Load VSWR=20:1(All phase), 2sec. Z <sub>G</sub> = 50Ω	No degradation or destroy		-

Note. Above parameters, ratings, limits and conditions are subject to change.