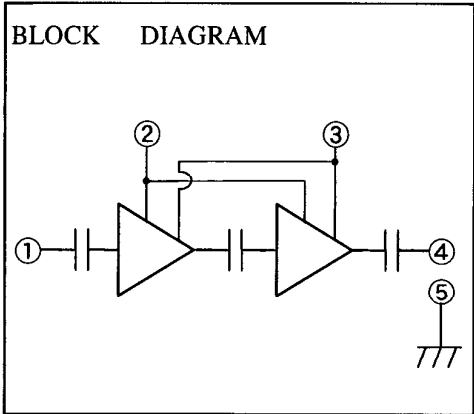
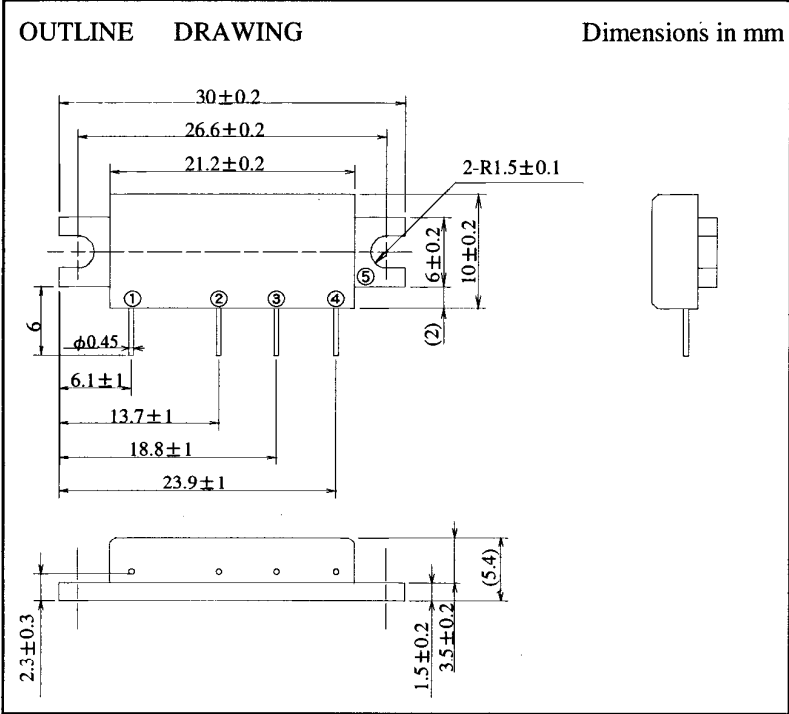


ATTENTION
OBSERVE PRECAUTIONS
FOR HANDLING
ELECTROSTATIC
SENSITIVE
DEVICES

MITSUBISHI RF POWER MODULE

M68732SLA

Silicon MOS FET Power Amplifier, 350-400MHz 7W FM PORTABLE



- PIN:**
- ① Pin :RF INPUT
 - ② VGG :GATE BIAS SUPPLY
 - ③ VDD :DRAIN BIAS SUPPLY
 - ④ Po :RF OUTPUT
 - ⑤ GND :FIN

MAXIMUM RATINGS (Tc=25°C UNLESS OTHERWISE NOTED)

SYMBOL	PARAMETER	CONDITIONS	RATINGS	UNIT
VDD	SUPPLY VOLTAGE	VGG ≤ 3.5V, Zg=Zl=50Ω	9.2	V
VGG	GATE BIAS VOLTAGE		4	V
Pin	INPUT POWER	f=350-400MHz, Zg=Zl=50Ω	70	mW
Po	OUTPUT POWER	f=350-400MHz, Zg=Zl=50Ω	10	W
Tc (OP)	OPERATION CASE TEMPERATURE	f=350-400MHz, Zg=Zl=50Ω	-30 to +100	°C
Tstg	STORAGE TEMPERATURE		-40 to +110	°C

Note: Above parameters are guaranteed independently.

ELECTRICAL CHARACTERISTICS (Tc=25°C, Zg=Zl=50Ω UNLESS OTHERWISE NOTED)

SYMBOL	PARAMETER	CONDITIONS	LIMITS		UNIT
			MIN	MAX	
f	FREQUENCY RANGE		350	400	MHz
Po	OUTPUT POWER	Vdd=7.2V,	7		W
ηt	TOTAL EFFICIENCY	Vgg=3.5V,	43		%
2fo	2nd HARMONIC	Pin=50mW		-25	dBc
ρin	INPUT VSWR			4	-
	Stability	Zg=50Ω, Vdd=4-9.2V, LOAD VSWR < 4:1	No parasitic oscillation		
	LOAD VSWR TOLERANCE	Vdd=9.2V, Pin=50mW, Po=7W (Vgg ADJUST), Zg=50ohms, Load VSWR =20:1	No degradation or destroy		-

ABOVE PARAMETERS, RATINGS, LIMITS AND CONDITIONS ARE SUBJECT TO CHANGE .

Keep safety first in your circuit designs!

Mitsubishi Electric Corporation puts the maximum effort into making semiconductor products better and more reliable, but there is always the possibility that trouble may occur with them. Trouble with semiconductors may lead to personal injury, fire or property damage. Remember to give due consideration to safety when making your circuit designs, with appropriate measures such as (i) placement of substitutive, auxiliary circuits, (ii) use of non-flammable material or (iii) prevention against any malfunction or mishap.