



MC1469 MC1569

Specifications and Applications Information

MONOLITHIC VOLTAGE REGULATOR

The MC1569/MC1469 is a positive voltage regulator designed to deliver continuous load current up to 500 mA dc. Output voltage is adjustable from 2.5 Vdc to 37 Vdc. The MC1569 is specified for use within the military temperature range (-55 to +125°C) and the MC1469 within the 0 to +70°C temperature range.

For systems requiring a positive regulated voltage, the MC1569 can be used with performance nearly identical to the MC1563 negative voltage regulator. Systems requiring both a positive and negative regulated voltage can use the MC1569 and MC1563 as complementary regulators with a common input ground.

- Electronic "Shut-Down" Control
- Excellent Load Regulation (Low Output Impedance - 20 milliohms typ)
- High Power Capability: up to 17.5 Watts
- Excellent Temperature Stability: $\pm 0.002\% / ^\circ\text{C}$ typ
- High Ripple Rejection: 0.002 %/V typ

FIGURE 1 - ± 15 V, ± 400 mA COMPLEMENTARY TRACKING VOLTAGE REGULATOR

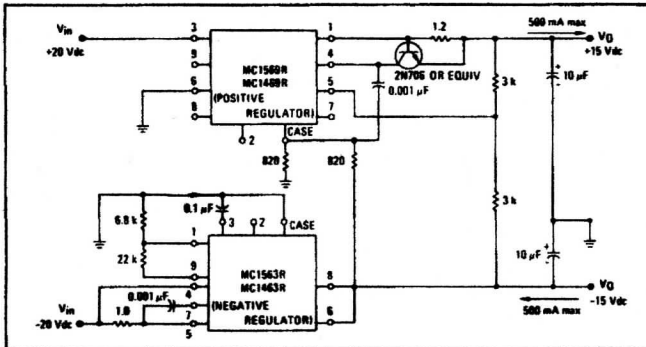


FIGURE 2 - TYPICAL CIRCUIT CONNECTION ($3.5 \leq V_O \leq 37$ Vdc, $1 \leq I_L \leq 500$ mA)

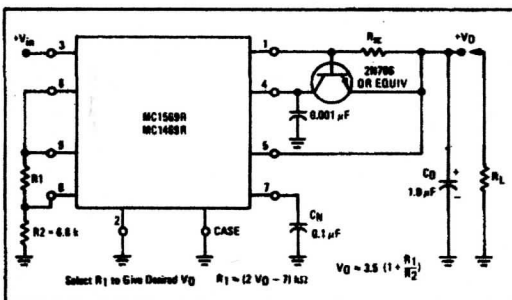
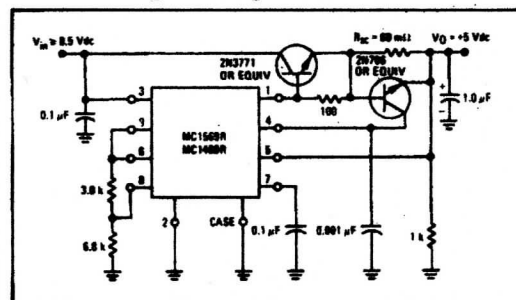


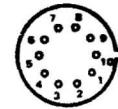
FIGURE 3 - TYPICAL NPN CURRENT BOOST CONNECTION ($V_O = 5.0$ Vdc, $I_L = 10$ A dc [max])



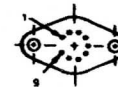
POSITIVE VOLTAGE REGULATOR INTEGRATED CIRCUIT

SILICON MONOLITHIC EPITAXIAL PASSIVATED

4



G SUFFIX METAL PACKAGE CASE 603-04



R SUFFIX METAL PACKAGE CASE 614-02

ORDERING INFORMATION

DEVICE	TEMPERATURE RANGE	PACKAGE
MC1469G	0° C to +70° C	Metal Can
MC1469R	0° C to +70° C	Metal Power
MC1569G	-55° C to +125° C	Metal Can
MC1569R	-55° C to +125° C	Metal Power