

PRELIMINARY DATA SHEET

**MSP 3400D,
MSP 3410D
Multistandard
Sound Processors**

Edition May 14, 1999
6251-482-2PD



Contents

Page	Section	Title
5	1.	Introduction
5	1.1.	Common Features of MSP 34x0D
5	1.2.	Specific Features of MSP 3410D
6	2.	Basic Features of the MSP 34x0D
6	2.1.	Demodulator and NICAM Decoder Section
6	2.2.	DSP Section (Audio Baseband Processing)
6	2.3.	Analog Section
7	3.	Application Fields of the MSP 34x0D
7	3.1.	NICAM plus FM/AM-Mono
7	3.2.	German 2-Carrier System (Dual-FM System)
10	4.	Architecture of the MSP 34x0D
10	4.1.	Demodulator and NICAM Decoder Section
10	4.1.1.	Analog Sound IF – Input Section
11	4.1.2.	Quadrature Mixers
11	4.1.3.	Low-pass Filtering Block for Mixed Sound IF Signals
12	4.1.4.	Phase and AM Discrimination
12	4.1.5.	Differentiators
12	4.1.6.	Low-pass Filter Block for Demodulated Signals
12	4.1.7.	High-Deviation FM Mode
12	4.1.8.	FM Carrier Mute Function in the Dual-Carrier FM Mode
12	4.1.9.	DQPSK Decoder
12	4.1.10.	NICAM Decoder
13	4.2.	Analog Section
13	4.2.1.	SCART Switching Facilities
13	4.2.2.	Stand-by Mode
13	4.3.	DSP Section (Audio Baseband Processing)
13	4.3.1.	Dual-Carrier FM Stereo/Bilingual Detection
15	4.4.	Audio PLL and Crystal Specifications
15	4.5.	ADR Bus Interface
15	4.6.	Digital Control Output Pins
16	4.7.	I ² S Bus Interface
17	5.	I²C Bus Interface: Device and Subaddresses
18	5.1.	Protocol Description
19	5.2.	Proposal for MSP 34x0D I ² C Telegrams
19	5.2.1.	Symbols
19	5.2.2.	Write Telegrams
19	5.2.3.	Read Telegrams
19	5.2.4.	Examples
20	5.3.	Start-Up Sequence: Power-Up and I ² C-Controlling

Contents, continued

Page	Section	Title
21	6.	Programming the Demodulator and NICAM Decoder Section
21	6.1.	Short-Programming and General Programming of the Demodulator Part
22	6.2.	Demodulator Write Registers: Table and Addresses
22	6.3.	Demodulator Read Registers: Table and Addresses
23	6.4.	Demodulator Write Registers for Short-Programming: Functions and Values
23	6.4.1.	Demodulator Short-Programming
24	6.4.2.	AUTO_FM/AM: Automatic Switching between NICAM and FM/AM-Mono
25	6.5.	Demodulator Write Registers for the General Programming Mode: Functions and Values
25	6.5.1.	Register 'AD_CV'
27	6.5.2.	Register 'MODE_REG'
28	6.5.3.	FIR Parameter
30	6.5.4.	DCO Registers
31	6.6.	Demodulator Read Registers: Functions and Values
32	6.6.1.	Autodetection of Terrestrial TV Audio Standards
32	6.6.2.	C_AD_BITS
32	6.6.3.	ADD_BITS [10...3] 0038 _{hex}
32	6.6.4.	CIB_BITS
33	6.6.5.	ERROR_RATE 0057 _{hex}
33	6.6.6.	CONC_CT (for compatibility with MSP 3410B)
33	6.6.7.	FAWCT_IST (for compatibility with MSP 3410B)
33	6.6.8.	PLL_CAPS
33	6.6.9.	AGC_GAIN
33	6.7.	Sequences to Transmit Parameters and to Start Processing
35	6.8.	Software Proposals for Multistandard TV Sets
35	6.8.1.	Multistandard Including System B/G with NICAM/FM-Mono only
35	6.8.2.	Multistandard Including System I with NICAM/FM-Mono only
35	6.8.3.	Multistandard Including System B/G with NICAM/FM-Mono and German DUAL-FM
35	6.8.4.	Satellite Mode
35	6.8.5.	Automatic Search Function for FM Carrier Detection
37	7.	Programming the DSP Section (Audio Baseband Processing)
37	7.1.	DSP Write Registers: Table and Addresses
39	7.2.	DSP Read Registers: Table and Addresses
40	7.3.	DSP Write Registers: Functions and Values
40	7.3.1.	Volume – Loudspeaker and Headphone Channel
41	7.3.2.	Balance – Loudspeaker and Headphone Channel
41	7.3.3.	Bass – Loudspeaker and Headphone Channel
42	7.3.4.	Treble – Loudspeaker and Headphone Channel
42	7.3.5.	Loudness – Loudspeaker and Headphone Channel
43	7.3.6.	Spatial Effects – Loudspeaker Channel
44	7.3.7.	Volume – SCART1 and SCART2 Channel
44	7.3.8.	Channel Source Modes
45	7.3.9.	Channel Matrix Modes
45	7.3.10.	SCART Prescale
46	7.3.11.	FM/AM Prescale
46	7.3.12.	FM Matrix Modes (see also Table 4–1)
46	7.3.13.	FM Fixed Deemphasis

Contents, continued

Page	Section	Title
46	7.3.14.	FM Adaptive Deemphasis
47	7.3.15.	NICAM Prescale
47	7.3.16.	NICAM Deemphasis
47	7.3.17.	I ² S1 and I ² S2 Prescale
47	7.3.18.	ACB Register
48	7.3.19.	Beeper
48	7.3.20.	Identification Mode
48	7.3.21.	FM DC Notch
48	7.3.22.	Mode Tone Control
48	7.3.23.	Automatic Volume Correction (AVC)
49	7.3.24.	Subwoofer Channel
50	7.3.25.	Equalizer Loudspeaker Channel
50	7.4.	Exclusions for the Audio Baseband Features
50	7.5.	Phase Relationship of Analog Outputs
50	7.6.	DSP Read Registers: Functions and Values
50	7.6.1.	Stereo Detection Register
51	7.6.2.	Quasi-Peak Detector
51	7.6.3.	DC Level Register
51	7.6.4.	MSP Hardware Version Code
51	7.6.5.	MSP Major Revision Code
51	7.6.6.	MSP Product Code
51	7.6.7.	MSP ROM Version Code
52	8.	Differences between MSP 3400C, MSP 3400D, MSP 3410B, and MSP 3410D
55	9.	Specifications
55	9.1.	Outline Dimensions
57	9.2.	Pin Connections and Short Descriptions
60	9.3.	Pin Configurations
64	9.4.	Pin Circuits (pin numbers refer to PLCC68 package)
66	9.5.	Electrical Characteristics
66	9.5.1.	Absolute Maximum Ratings
67	9.5.2.	Recommended Operating Conditions
71	9.5.3.	Characteristics
77	10.	Application Circuit
79	11.	Appendix A: MSP 34x0D Version History
80	12.	Data Sheet History

Multistandard Sound Processors

Release Notes: The hardware description in this document is valid for the MSP 34x0D version B3 and following versions. Revision bars indicate significant changes to the previous edition.

1. Introduction

The **MSP 34x0D** is designed as a single-chip Multistandard Sound Processor for applications in analog and digital TV sets, satellite receivers, video recorders, and PC cards.

The **MSP 34x0D**, again, improves function integration: The full TV sound processing, starting with analog sound IF signal-in, down to processed analog AF-out, is performed in a single chip. It covers all European TV standards (some examples are shown in Table 3–1).

The MSP 3400D is fully pin and software-compatible to the MSP 3410D, but is not able to decode NICAM. It is also compatible to the MSP 3400C.

The IC is produced in submicron CMOS technology, combined with high-performance digital signal processing. The MSP 34x0D is available in the following packages: PLCC68, PSDIP64, PSDIP52, PQFP80, and PLQFP64.

Note: The MSP 3410D version is fully downward-compatible to the MSP 3410B, the MSP 3400B, and the MSP 3400C. To achieve full software-compatibility with these types, the demodulator part must be programmed as described in the data sheet of the MSP 3410B.

1.1. Common Features of MSP 34x0D

- AVC: Automatic Volume Correction
- Subwoofer Output
- 5-band graphic equalizer (as in MSP 3400C)
- Enhanced spatial effect (pseudostereo/basewidth enlargement as in MSP 3400C)
- headphone channel with balance, bass, treble, loudness
- balance for loudspeaker and headphone channels in dB units (optional)
- D/A converters for SCART2 out
- improved oversampling filters (as in MSP 3400C)
- Four SCART inputs
- Full SCART in/out matrix without restrictions
- SCART volume in dB units (optional)
- Additional I²S input (as in MSP 3400C)
- New FM identification (as in MSP 3400C)
- Demodulator short programming
- Autodetection for terrestrial TV sound standards
- Improved carrier mute algorithm
- Improved AM demodulation
- ADR together with DRP 3510A
- Dolby Pro Logic together with DPL 351xA
- Reduction of necessary controlling
- Less external components
- Significant reduction of radiation

1.2. Specific Features of MSP 3410D

- All NICAM standards
- Precise bit-error rate indication
- Automatic switching from NICAM to FM/AM or vice-versa
- Improved NICAM synchronization algorithm

2. Basic Features of the MSP 34x0D

2.1. Demodulator and NICAM Decoder Section

The MSP 34x0D is designed to perform demodulation of FM or AM-Mono TV sound. Alternatively, two-carrier FM systems according to the German or Korean terrestrial specs or the satellite specs can be processed with the MSP 34x0D.

Digital demodulation and decoding of NICAM-coded TV stereo sound, is done only by the MSP 3410.

The MSP 34x0D offers a powerful feature to calculate the carrier field strength which can be used for automatic standard detection (terrestrial) and search algorithms (satellite). The IC may be used in TV sets, as well as in satellite tuners and video recorders. It offers profitable multistandard capability, including the following advantages:

- two selectable analog inputs (TV and SAT-IF sources)
- Automatic Gain Control (AGC) for analog IF input. Input range: $0.10\text{--}3 V_{pp}$
- integrated A/D converter for sound-IF inputs
- all demodulation and filtering is performed on chip and is individually programmable
- easy realization of all digital NICAM standards (B/G, I, L, and D/K) with MSP 3410.
- FM demodulation of all terrestrial standards (incl. identification decoding)
- FM demodulation of all satellite standards
- no external filter hardware is required
- only one crystal clock (18.432 MHz) is necessary
- FM carrier level calculation for automatic search algorithms and carrier mute function
- high-deviation FM-Mono mode (max. deviation: approx. ± 360 kHz)

2.2. DSP Section (Audio Baseband Processing)

- flexible selection of audio sources to be processed
- two digital input and one output interface via I²S bus for external DSP processors, featuring surround sound, ADR etc.
- digital interface to process ADR (ASTRA Digital Radio) together with DRP 3510A
- performance of all deemphasis systems including adaptive Wegener Panda 1 without external components or controlling
- digitally performed FM identification decoding and dematrixing
- digital baseband processing: volume, bass, treble, 5-band equalizer, loudness, pseudostereo, and bandwidth enlargement
- simple controlling of volume, bass, treble, equalizer etc.

2.3. Analog Section

- four selectable analog pairs of audio baseband inputs (= four SCART inputs)
input level: $\leq 2 V_{RMS}$,
input impedance: ≥ 25 k Ω
- one selectable analog mono input (i.e. AM sound):
input level: $\leq 2 V_{RMS}$,
input impedance: ≥ 15 k Ω
- two high-quality A/D converters, S/N-Ratio: ≥ 85 dB
- 20 Hz to 20 kHz bandwidth for SCART-to-SCART copy facilities
- MAIN (loudspeaker) and AUX (headphones): two pairs of fourfold oversampled D/A-converters
output level per channel: max. $1.4 V_{RMS}$
output resistance: max. 5 k Ω
S/N-ratio: ≥ 85 dB at maximum volume
max. noise voltage in mute mode: ≤ 10 μ V (BW: 20 Hz ... 16 kHz)
- two pairs of fourfold oversampled D/A converters supplying two selectable pairs of SCART outputs.
output level per channel: max. $2 V_{RMS}$,
output resistance: max. 0.5 k Ω ,
S/N-Ratio: ≥ 85 dB (20 Hz ... 16 kHz)

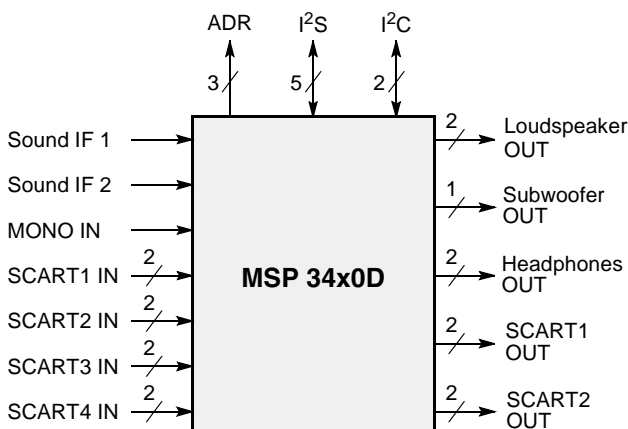


Fig. 2–1: Main I/O signals of the MSP 34x0D

3. Application Fields of the MSP 34x0D

In the following sections, a brief overview of the two main TV sound standards, NICAM 728 and German FM-Stereo, demonstrates the complex requirements of a multistandard audio IC.

3.1. NICAM plus FM/AM-Mono

According to the British, Scandinavian, Spanish, and French TV standards, high-quality stereo sound is transmitted digitally. The systems allow two high-quality digital sound channels to be added to the already existing FM/AM channel. The sound coding follows the format of the so-called Near Instantaneous Companding System (NICAM 728). Transmission is performed using Differential Quadrature Phase Shift Keying (DQPSK). Table 3–2 provides some specifications of the sound coding (NICAM); Table 3–3 offers an overview of the modulation parameters.

In the case of NICAM/FM (AM) mode, there are three different audio channels available: NICAM A, NICAM B, and FM/AM-Mono. NICAM A and B may belong either to a stereo or to a dual-language transmission. Information about operation mode and the quality of the NICAM signal can be read by the CCU via the control bus. In the case of low quality (high bit-error rate), the CCU may decide to switch to the analog FM/AM-Mono sound. Alternatively, an automatic NICAM-FM/AM switching may be applied.

3.2. German 2-Carrier System (Dual-FM System)

Since September 1981, stereo and dual-sound programs have been transmitted in Germany using the 2-carrier system. Sound transmission consists of the already existing first sound carrier and a second sound carrier additionally containing an identification signal. More details of this standard are given in Tables 3–1 and 3–4. For D/K and M-Korea, very similar systems are used.

Table 3–1: TV standards

TV System	Position of Sound Carrier /MHz	Sound Modulation	Color System	Country
B/G	5.5/5.7421875	FM-Stereo	PAL	Germany
B/G	5.5/5.85	FM-Mono/NICAM	PAL	Scandinavia, Spain
L	6.5/5.85	AM-Mono/NICAM	SECAM-L	France
I	6.0/6.552	FM-Mono/NICAM	PAL	UK
D/K	6.5/6.2578125 D/K1 6.5/6.7421875 D/K2 6.5/5.85 D/K-NICAM	FM-Stereo FM-Mono/NICAM	SECAM-East	USSR Hungary
M M-Korea	4.5 4.5/4.724212	FM-Mono FM-Stereo	NTSC	USA Korea
Satellite Satellite	6.5 7.02/7.2	FM-Mono FM-Stereo	PAL PAL	Europe (ASTRA) Europe (ASTRA)

Note: NICAM demodulation cannot be done with the MSP 3400D

Table 3–2: Summary of NICAM 728 sound coding characteristics

Characteristics	Values
Audio sampling frequency	32 kHz
Number of channels	2
Initial resolution	14 bits/sample
Companding characteristics	near instantaneous, with compression to 10 bits/sample in 32-sample (1 ms) blocks
Coding for compressed samples	2's complement
Preemphasis	CCITT recommendation J.17 (6.5 dB attenuation at 800 Hz)
Audio overload level	+12 dBm measured at the unity gain frequency of the preemphasis network (2 kHz)

Table 3–3: Summary of NICAM 728 sound modulation parameters

Specification	I	B/G	L		D/K	
Carrier frequency of digital sound	6.552 MHz	5.85 MHz	5.85 MHz		5.85 MHz	
Transmission rate	728 kbit/s					
Type of modulation	Differentially encoded quadrature phase shift keying (DQPSK)					
Spectrum shaping Roll-off factor	by means of Roll-off filters 1.0					
	1.0	0.4	0.4		0.4	
Carrier frequency of analog sound component	6.0 MHz FM mono	5.5 MHz FM mono	6.5 MHz AM mono terrestrial cable		6.5 MHz FM-Mono	
Power ratio between vision carrier and analog sound carrier	10 dB	13 dB	10 dB	16 dB	13 dB	
Power ratio between analog and modulated digital sound carrier	10 dB	7 dB	17 dB	11 dB	Hungary	Poland
					12 dB	7 dB

Table 3–4: Key parameters for B/G, D/K, and M 2-carrier sound system

Sound Carriers	Carrier FM1			Carrier FM2		
	B/G	D/K	M	B/G	D/K	M
Vision/sound power ratio	13 dB			20 dB		
Sound bandwidth	40 Hz to 15 kHz					
Preemphasis	50 μs		75 μs	50 μs		75 μs
Frequency deviation	±50 kHz		±25 kHz	±50 kHz		±25 kHz
Sound Signal Components						
Mono transmission	mono			mono		
Stereo transmission	(L+R)/2		(L+R)/2	R	(L–R)/2	
Dual-sound transmission	language A			language B		
Identification of Transmission Mode on Carrier FM2						
Pilot carrier frequency in kHz				54.6875	55.0699	
Type of modulation	AM					
Modulation depth	50 %					
Modulation frequency				mono: unmodulated	149.9 Hz	
				stereo: 117.5 Hz	276.0 Hz	
				dual: 274.1 Hz		

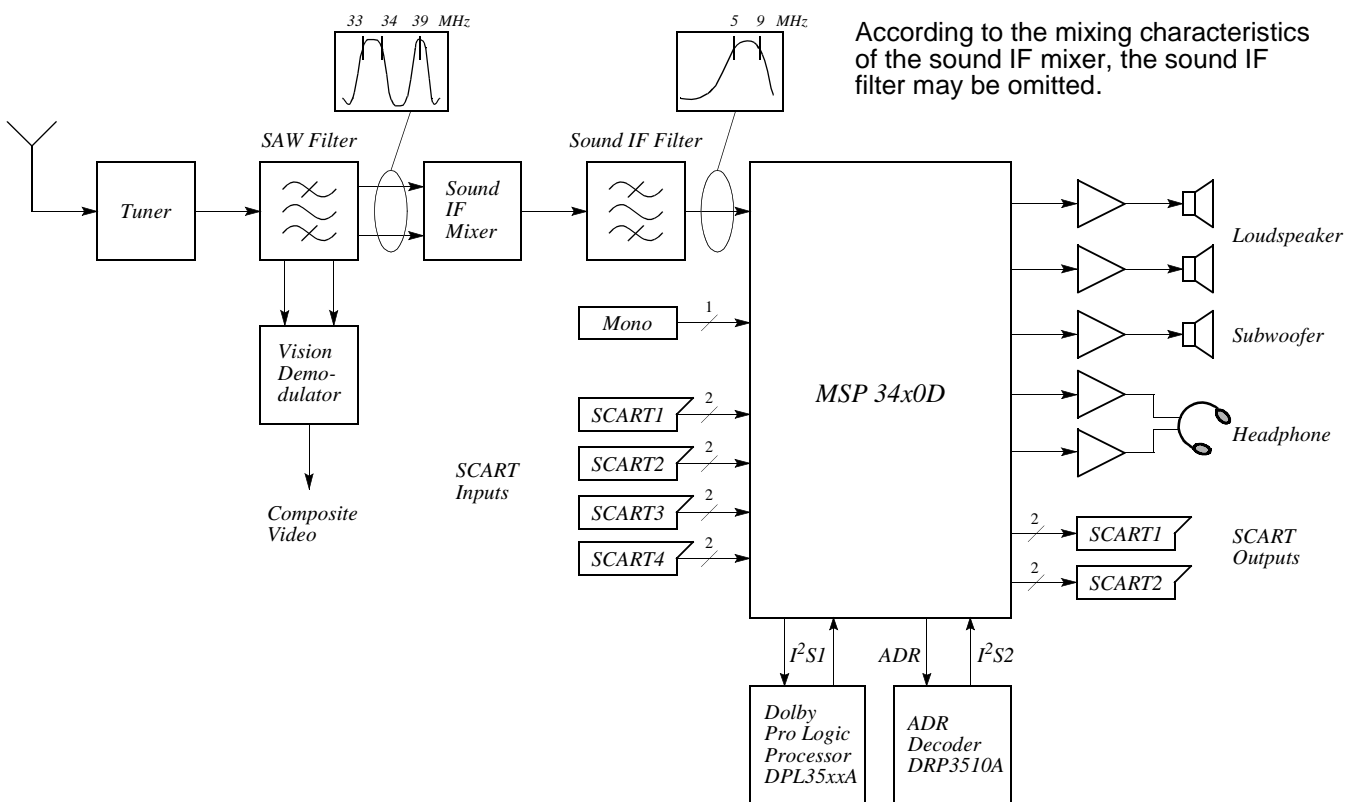


Fig. 3–1: Typical MSP 34x0D application

4. Architecture of the MSP 34x0D

Fig. 4–1 shows a simplified block diagram of the IC. Its architecture is split into three main functional blocks:

1. demodulator and NICAM decoder section
2. digital signal processing (DSP) section performing audio baseband processing
3. analog section containing two A/D-converters, nine D/A-converters, and SCART Switching Facilities.

4.1. Demodulator and NICAM Decoder Section

4.1.1. Analog Sound IF – Input Section

The input pins ANA_IN1+, ANA_IN2+, and ANA_IN– offer the possibility to connect two different sound IF (SIF) sources to the MSP 34x0D. By means of bit [8] of AD_CV (see Table 6–5 on page 25), either terrestrial or satellite sound IF signals can be selected. The analog-to-digital conversion of the preselected sound IF signal is done by an A/D converter whose output is used to control an analog automatic gain circuit (AGC) providing an optimal level for a wide range of input levels. It is possible to switch between automatic gain control and a fixed (setable) input gain. In the optimal case, the input range of the A/D converter is completely covered by the sound IF source. Some combinations of SAW filters and sound IF mixer ICs, however, show large picture components on their outputs. In this case, filtering is recommended. It was found, that the high-pass filters formed by the coupling capacitors at pins ANA_IN1+ and ANA_IN2+ and the IF impedance (as shown in the application diagram) are sufficient in most cases.

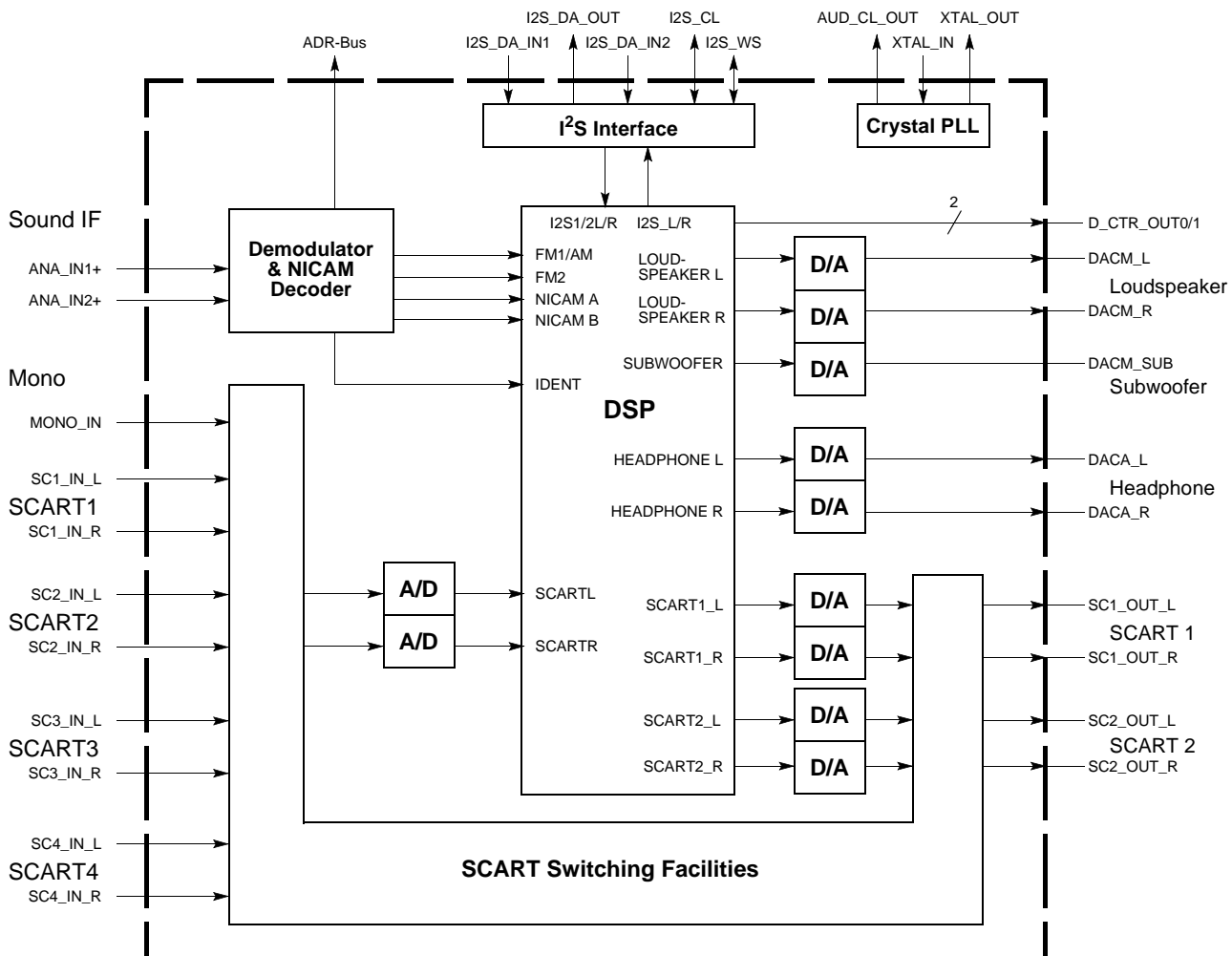


Fig. 4–1: Architecture of the MSP 34x0D

4.1.2. Quadrature Mixers

The digital input coming from the integrated A/D converter may contain audio information at a frequency range of theoretically 0 to 9 MHz corresponding to the selected standards. By means of two programmable quadrature mixers, two different audio sources, for example NICAM and FM-Mono, may be shifted into baseband position. In the following, the two main channels are provided to process either:

- NICAM (MSP-Ch1) and FM/AM mono (MSP-Ch2) simultaneously or, alternatively:
- FM-Mono (Ch2)
- FM2 (MSP-Ch1) and FM1 (MSP-Ch2).

Two programmable registers, to be divided up into a low and a high part, determine frequency of the oscillator, which corresponds to the frequency of the desired audio carrier.

4.1.3. Low-pass Filtering Block for Mixed Sound IF Signals

Data shaping and/or FM bandwidth limitation is performed by a linear phase finite impulse response (FIR) filter. Just like the oscillators' frequency, the filter coefficients are programmable and are written into the IC by the CCU via the control bus. Thus, for example, different NICAM versions can easily be implemented. Two not necessarily different sets of coefficients are required, one for MSP-Ch1 (NICAM or FM2) and one for MSP-Ch2 (FM1 = FM-mono). In a corresponding table several coefficient sets are proposed.

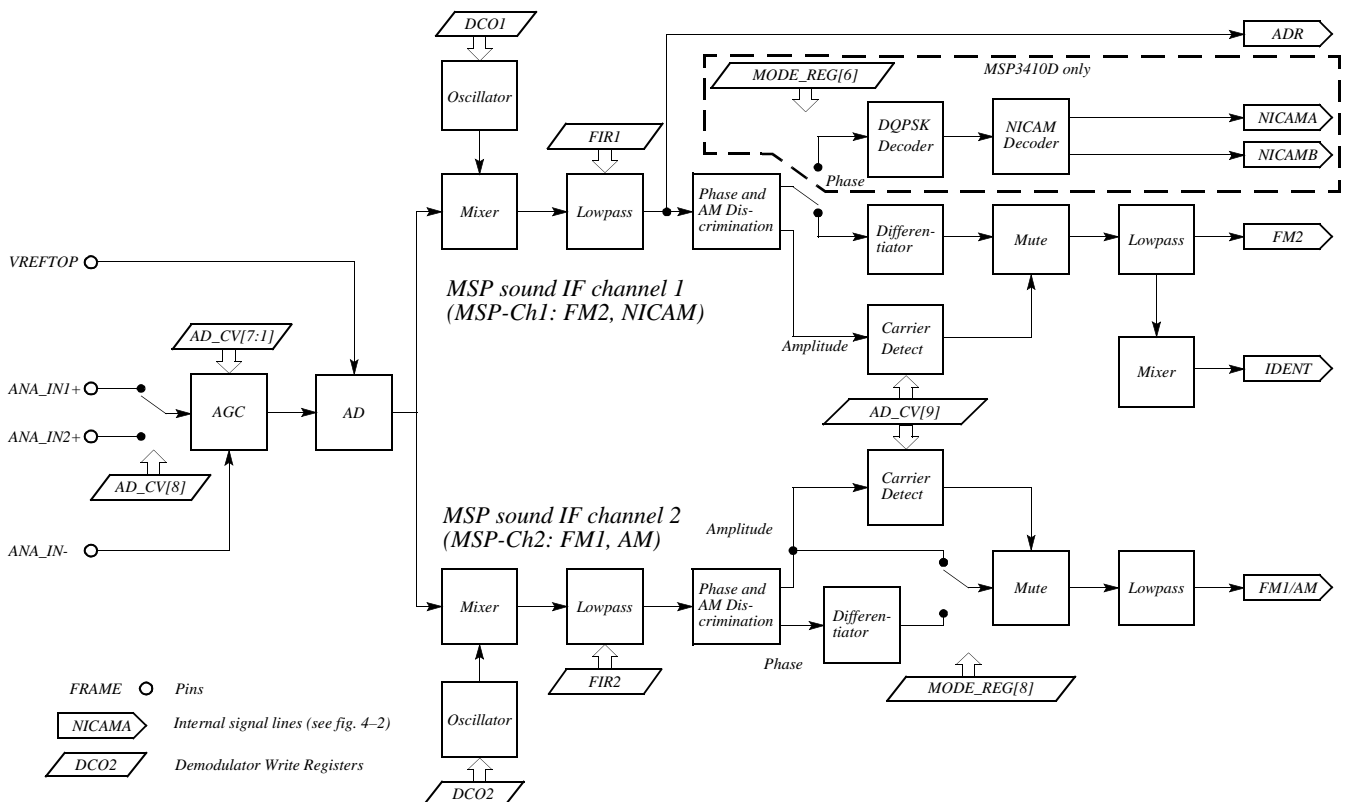


Fig. 4-2: Architecture of demodulator and NICAM decoder section

4.1.4. Phase and AM Discrimination

The filtered sound IF signals are demodulated by means of the phase and amplitude discriminator block. On the output, the phase and amplitude is available for further processing. AM signals are derived from the amplitude information, whereas the phase information serves for FM and NICAM (DQPSK) demodulation.

4.1.5. Differentiators

FM demodulation is completed by differentiating the phase information output.

4.1.6. Low-pass Filter Block for Demodulated Signals

The demodulated FM and AM signals are further low-pass filtered and decimated to a final sampling frequency of 32 kHz. The usable bandwidth of the final baseband signals is about 15 kHz.

4.1.7. High-Deviation FM Mode

By means of MODE_REG [9], the maximum FM deviation can be extended to approximately ± 360 kHz. Since this mode can be applied only for the MSP sound IF channel 2, the corresponding matrices in the baseband processing must be set to sound A. Apart from this, the coefficient sets 380 kHz FIR2 or 500 kHz FIR2 must be chosen for the FIR2. In relation to the normal FM mode, the audio level of the high-deviation mode is reduced by 6 dB. The FM prescaler should be adjusted accordingly. In high-deviation FM mode, neither FM-Stereo nor FM identification nor NICAM processing is possible simultaneously.

4.1.8. FM Carrier Mute Function in the Dual-Carrier FM Mode

To prevent noise effects or FM identification problems in the absence of one of the two FM carriers, the MSP 34x0D offers a carrier detection feature, which must be activated by means of AD_CV[9]. If no FM carrier is available at the MSPD channel 1, the corresponding channel FM2 is muted. If no FM carrier is available at the MSPD channel 2, the corresponding channel FM1 is muted.

4.1.9. DQPSK Decoder

In case of NICAM mode, the phase samples are decoded according the DQPSK-coding scheme. The output of this block contains the original NICAM bitstream.

4.1.10. NICAM Decoder

Before any NICAM decoding can start, the MSP must lock to the NICAM frame structure by searching and synchronizing to the so-called frame alignment words (FAW).

To reconstruct the original digital sound samples, the NICAM bitstream has to be descrambled, deinterleaved, and rescaled. Also, bit-error detection and correction (concealment) is performed in this block.

To facilitate the Central Control Unit CCU to switch the (e.g.) TV set to the actual sound mode, control information on the NICAM mode and bit error rate are supplied by the NICAM decoder. It can be read out via the I²C bus.

An automatic switching facility (AUTO_FM) between NICAM and FM/AM reduces the amount of CCU instructions in case of bad NICAM reception.

4.2. Analog Section

4.2.1. SCART Switching Facilities

The analog input and output sections include full matrix switching facilities, which are shown in Fig. 4–3. To design a TV set with four pairs of SCART inputs and two pairs of SCART outputs, no external switching hardware is required.

The switches are controlled by the ACB bits defined in the audio processing interface (see section 7.3.18. on page 47).

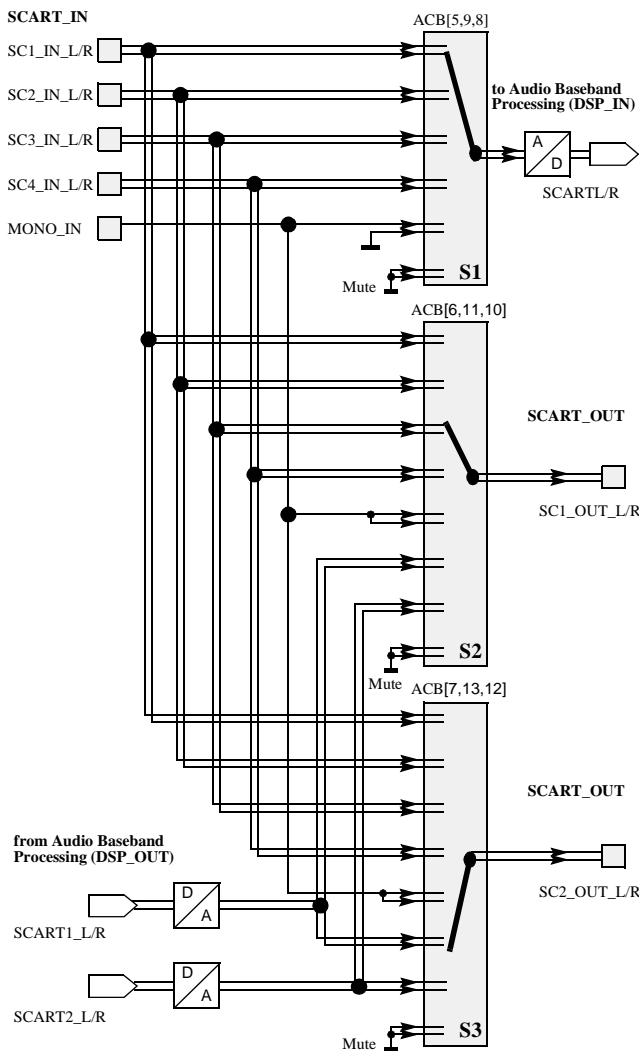


Fig. 4–3: SCART switching facilities (see 7.3.18.). Switching positions show the default configuration after power-on reset

4.2.2. Stand-by Mode

If the MSP 34x0D is switched off by first pulling STANDBYQ low, and then disconnecting the 5 V, but keeping the 8 V power supply (“Stand-by”-mode), the switches S1, S2, and S3 (see Fig. 4–3) maintain their position and function. This facilitates the copying from

selected SCART inputs to SCART outputs in the TV set’s stand-by mode.

In case of power-on start or starting from stand-by, the IC switches automatically to the default configuration, shown in Fig. 4–3. This action takes place after the first I²C transmission into the DSP part. By transmitting the ACB register first, the individual default setting mode of the TV set can be defined.

4.3. DSP Section (Audio Baseband Processing)

All audio baseband functions are performed by digital signal processing (DSP). The DSP functions are grouped into three processing parts: input preprocessing, channel source selection, and channel postprocessing (see Fig. 4–5 and section 7.).

The input preprocessing is intended to prepare the various signals of all input sources in order to form a standardized signal at the input to the channel selector. The signals can be adjusted in volume, are processed with the appropriate deemphasis, and are dematrixed if necessary.

Having prepared the signals that way, the channel selector makes it possible to distribute all possible source signals to the desired output channels.

The ability to route in an external coprocessor for special effects, like surround processing and sound field processing, is of special importance. Routing can be done with each input source and output channel via the I²S inputs and outputs.

All input and output signals can be processed simultaneously with the exception that FM2 cannot be processed at the same time as NICAM. FM identification and adaptive deemphasis are also not possible simultaneously. Note, that the NICAM input signals are only available in the MSP 3410D version.

4.3.1. Dual-Carrier FM Stereo/Bilingual Detection

For the terrestrial dual-FM carrier systems, audio information can be transmitted in three modes: mono, stereo, or bilingual. To obtain information about the current audio operation mode, the MSP 34x0D detects the so-called identification signal. Information is supplied via the Stereo Detection Register to an external CCU.

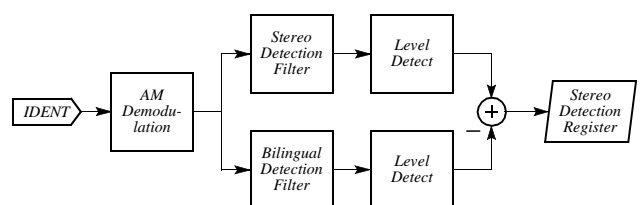


Fig. 4–4: Stereo/bilingual detection

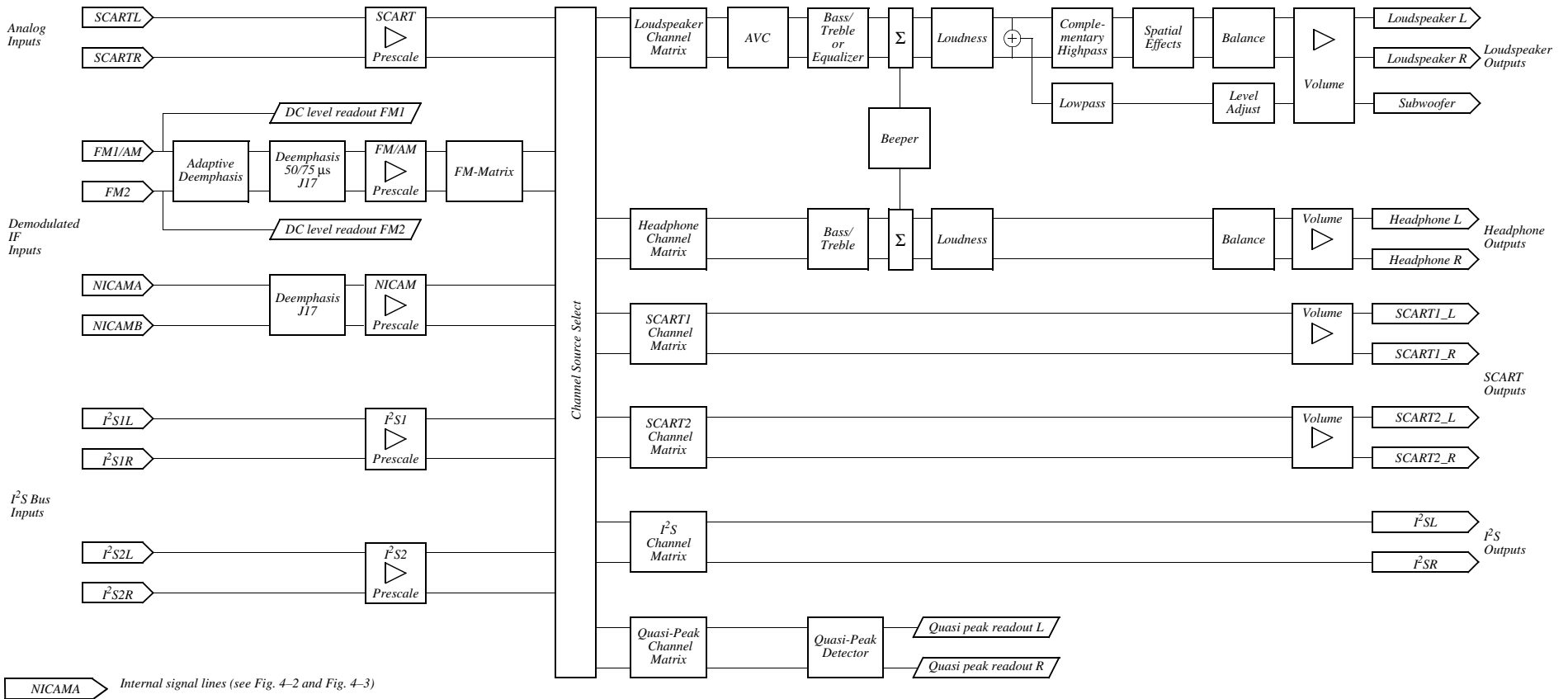


Fig. 4-5: Audio baseband processing (DSP firmware)

Table 4–1: Some examples for recommended channel assignments for demodulator and audio processing part

Mode	MSP Sound IF-Channel 1	MSP Sound IF-Channel 2	FM-Matrix	Channel-Select	Channel Matrix
B/G-Stereo	FM2 (5.74 MHz): R	FM1 (5.5 MHz): (L+R)/2	B/G Stereo	Speakers: FM	Stereo
B/G-Bilingual	FM2 (5.74 MHz): Sound B	FM1 (5.5 MHz): Sound A	No Matrix	Speakers: FM H. Phone: FM	Speakers: Sound A H. Phone: Sound B
NICAM-I-ST/ FM-mono	NICAM (6.552 MHz)	FM (6.0 MHz): mono	No Matrix	Speakers: NICAM H. Phone: FM	Speakers: Stereo H. Phone: Sound A
Sat-Mono	not used	FM (6.5 MHz): mono	No Matrix	Speakers: FM	Sound A
Sat-Stereo	7.2 MHz: R	7.02 MHz: L	No Matrix	Speakers: FM	Stereo
Sat-Bilingual	7.38 MHz: Sound C	7.02 MHz: Sound A	No Matrix	Speakers: FM H. Phone: FM	Speakers: Sound A H. Phone: Sound B=C
Sat-High Dev. Mode	don't care	6.552 MHz	No Matrix	Speakers: FM H. Phone: FM	Speakers: Sound A H. Phone: Sound A

4.4. Audio PLL and Crystal Specifications

The MSP 34x0D requires a 18.432 MHz (12 pF, parallel) crystal. The clock supply of the whole system depends on the MSP 34x0D operation mode:

1. FM-Stereo, FM-Mono:
The system clock runs free on the crystal's 18.432 MHz.
2. NICAM:
An integrated clock PLL uses the 364 kHz baud rate, accomplished in the NICAM demodulator block to lock the system clock to the bit rate, respectively, 32-kHz sampling rate of the NICAM transmitter. As a result, the whole audio system is supplied with a controlled 18.432 MHz clock.
3. I²S slave operation:
In this case, the system clock is locked to a synchronizing signal (I2S_CL, I2S_WS) supplied by the coprocessor chip.

Remark on using the crystal:

External capacitors at each crystal pin to ground are required (see General Crystal Recommendations on page 69).

4.5. ADR Bus Interface

For the ASTRA Digital Radio System (ADR), the MSP 34x0D performs preprocessing, as there are carrier selection and filtering. Via the 3-line ADR bus, the resulting signals are transferred to the DRP 3510A, where the source decoding is performed. To be prepared for an upgrade to ADR with an additional DRP board, the following lines of MSP 34x0D should be provided on a feature connector:

- AUD_CL_OUT
- I2S_DA_IN1 or I2S_DA_IN2
- I2S_DA_OUT
- I2S_WS
- I2S_CLK
- ADR_CL
- ADR_WS
- ADR_DA

4.6. Digital Control Output Pins

The static level of two output pins of the MSP 34x0D (D_CTR_OUT0/1) is switchable between HIGH and LOW by means of the I²C bus. This enables the controlling of external hardware-controlled switches or other devices via I²C bus (see section 7.3.18. on page 47).

4.7. I²S Bus Interface

By means of this standardized interface, additional feature processors can be connected to the MSP 34x0D. Two possible formats are supported: The standard mode (MODE_REG[4]=0) selects the SONY format, where the I2S_WS signal changes at the word boundaries. The so-called PHILIPS format, which is characterized by a change of the I2S_WS signal one I2S_CL period before the word boundaries, is selected by setting MODE_REG[4]=1.

The MSP 34x0D normally serves as the master on the I²S interface. Here, the clock and word strobe lines are driven by the MSP 34x0D. By setting MODE_REG[3]=1, the MSP 34x0D is switched to a slave mode. Now, these lines are input to the MSP 34x0D and the master clock is synchronized to 576 times the I2S_WS rate (32 kHz). NICAM operation is not possible in this mode.

The I²S bus interface consists of five pins:

1. I2S_DA_IN1, I2S_DA_IN2:
For input, four channels (two channels per line, 2*16 bits) per sampling cycle (32 kHz) are transmitted.
2. I2S_DA_OUT:
For output, two channels (2*16 bits) per sampling cycle (32 kHz) are transmitted.
3. I2S_CL:
Gives the timing for the transmission of I²S serial data (1.024 MHz).
4. I2S_WS:
The I2S_WS word strobe line defines the left and right sample.

A precise I²S timing diagram is shown in Fig. 4–6.

(Data: MSB first)

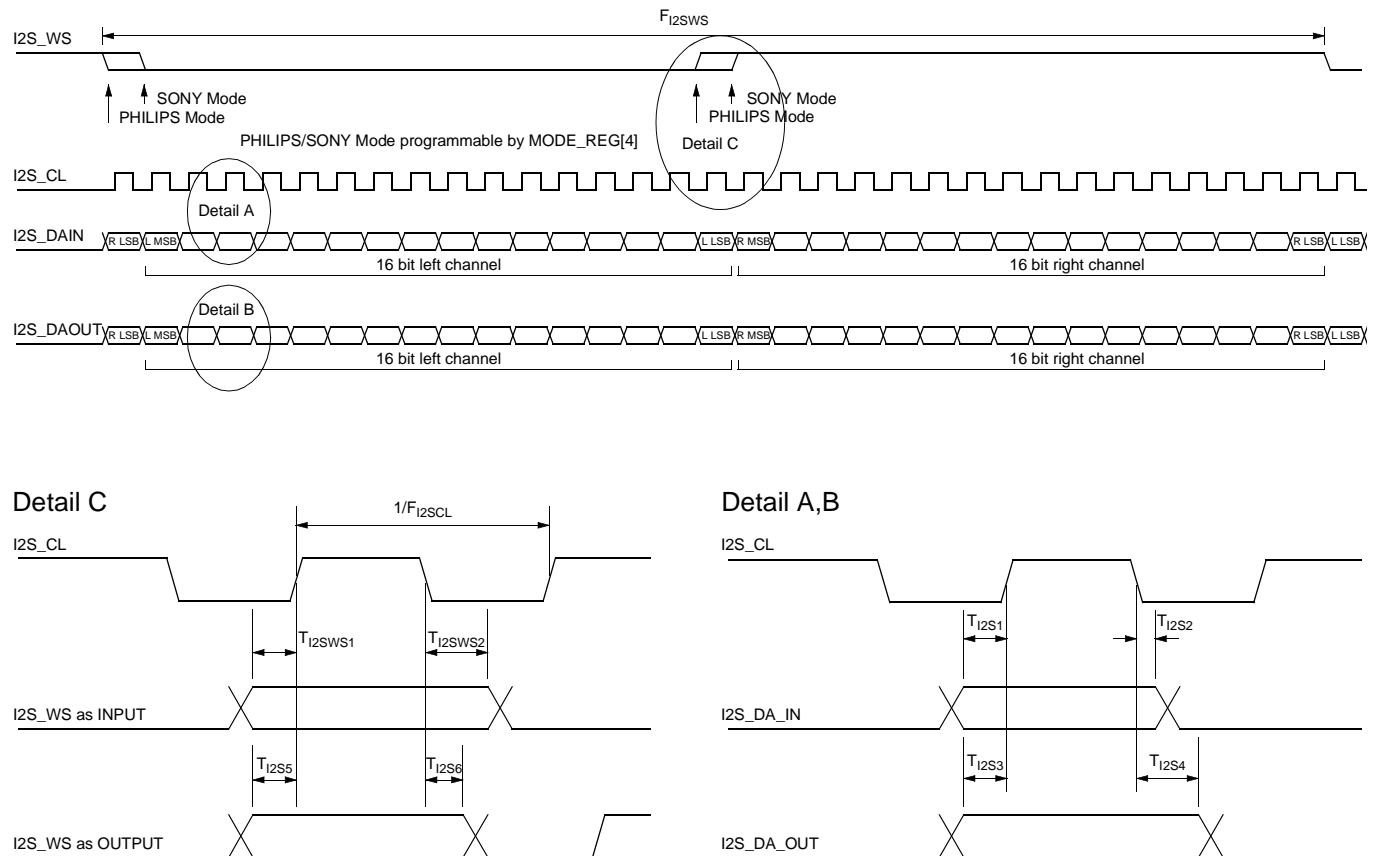


Fig. 4–6: I²S bus timing diagram

5. I²C Bus Interface: Device and Subaddresses

As a slave receiver, the MSP 34x0D can be controlled via I²C bus. Access to internal memory locations is achieved by subaddressing. The demodulator and the DSP processor parts have two separate subaddressing register banks.

In order to allow for more MSP 34x0D ICs to be connected to the control bus, an ADR_SEL pin has been implemented. With ADR_SEL pulled to HIGH, LOW, or left open, the MSP 34x0D responds to changed device addresses. Thus, three identical devices can be selected.

By means of the RESET bit in the CONTROL register, all devices with the same device address are reset.

The IC is selected by asserting a special device address in the address part of an I²C transmission. A device address pair is defined as a write address (80, 84, or 88_{hex}) and a read address (81, 85, or 89_{hex}) (see Table 5–1). Writing is done by sending the device write address, followed by the subaddress byte, two address bytes, and two data bytes. Reading is done by sending the device write address, followed by the subaddress byte and two address bytes. Without sending a stop condition, reading of the addressed data is completed by sending the device read address (81, 85, or 89_{hex}) and reading two bytes of data (see Fig. 5–1: “I²C Bus Protocol” and section 5.2. “Proposal for MSP 34x0D I²C Telegrams”).

Due to the internal architecture of the MSP 34x0D, the IC cannot react immediately to an I²C request. The typical response time is about 0.3 ms for the DSP processor part and 1 ms for the demodulator part if NICAM processing is active. If the receiver (MSP) can't receive another complete byte of data until it has performed some other function; for example, servicing an internal interrupt, it can hold the clock line I2C_CL LOW to force the transmitter into a wait state. The positions within a transmission where this may happen are indicated by 'Wait' in section 5.1. The maximum wait period of the MSP during normal operation mode is less than 1 ms.

I²C bus error caused by MSP hardware problems:
 In case of any internal error, the MSPs wait period is extended to 1.8 ms. Afterwards, the MSP does not acknowledge (NAK) the device address. The data line will be left HIGH by the MSP and the clock line will be released. The master can then generate a STOP condition to abort the transfer.

By means of NAK, the master is able to recognize the error state and to reset the IC via I²C bus. While transmitting the reset protocol (see section 5.2.4. on page 19) to 'CONTROL', the master must ignore the not-acknowledge bits (NAK) of the MSP.

A general timing diagram of the I²C Bus is shown in Fig. 5–2 on page 19.

Table 5–1: I²C Bus Device Addresses

ADR_SEL	Low		High		Left Open	
	Write	Read	Write	Read	Write	Read
MSP device address	80 hex	81 hex	84 hex	85 hex	88 hex	89 hex

Table 5–2: I²C Bus Subaddresses

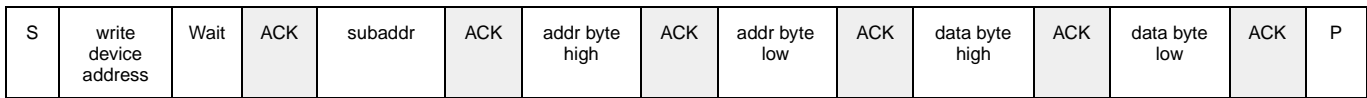
Name	Binary Value	Hex Value	Mode	Function
CONTROL	0000 0000	00	W	software reset
TEST	0000 0001	01	W	only for internal use
WR_DEM	0001 0000	10	W	write address demodulator
RD_DEM	0001 0001	11	W	read address demodulator
WR_DSP	0001 0010	12	W	write address DSP
RD_DSP	0001 0011	13	W	read address DSP

Table 5–3: Control Register (Subaddress: 00 hex)

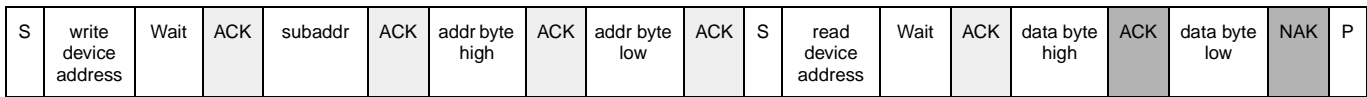
Name	Subaddress	MSB	14	13..1	LSB
CONTROL	00 hex	1 : RESET 0 : normal	0	0	0

5.1. Protocol Description

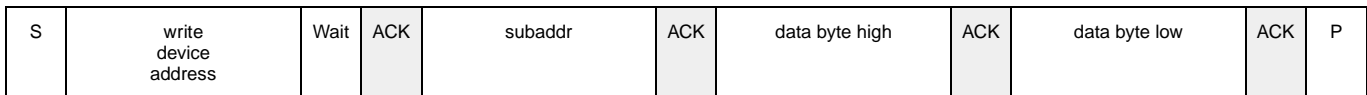
Write to DSP or Demodulator



Read from DSP or Demodulator



Write to Control or Test Registers



- Note:** S = I²C bus Start Condition from master
 P = I²C bus Stop Condition from master
 ACK = Acknowledge-Bit: LOW on I2C_DA from slave (=MSP, gray) or master (=CCU, hatched)
 NAK = Not-Acknowledge Bit: HIGH on I2C_DA from master (=CCU, hatched) to indicate 'End of Read' or from MSP indicating internal error state
 Wait = I²C clock line held low by the slave (=MSP) while interrupt is serviced (<1.8 ms)

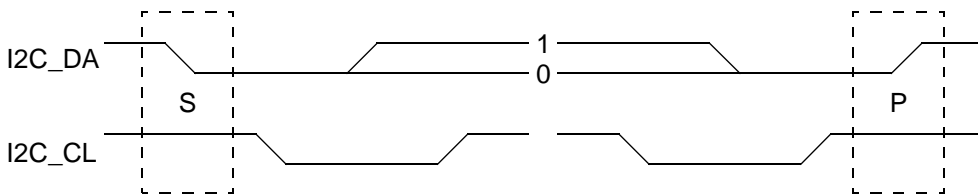


Fig. 5–1: I²C bus protocol (MSB first; data must be stable while clock is high)

(Data: MSB first)

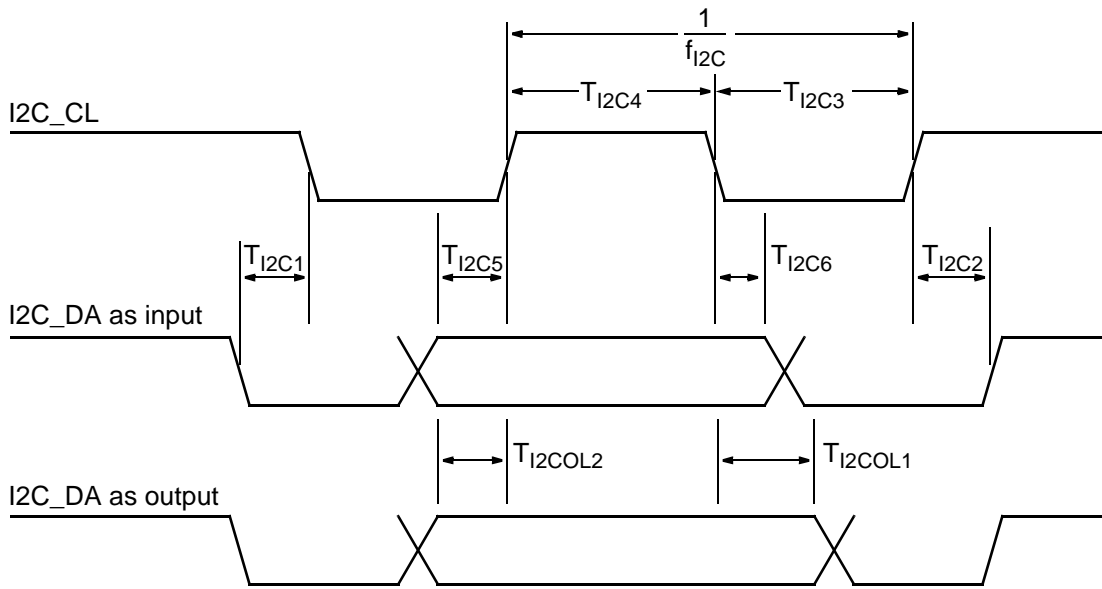


Fig. 5-2: I²C bus timing diagram

5.2. Proposal for MSP 34x0D I²C Telegrams

5.2.1. Symbols

daw write device address
 dar read device address
 < start condition
 > stop condition
 aa address byte
 dd data byte

5.2.2. Write Telegrams

<daw 00 d0 00> write to CONTROL register
 <daw 10 aa aa dd dd> write data into demodulator
 <daw 12 aa aa dd dd> write data into DSP

5.2.3. Read Telegrams

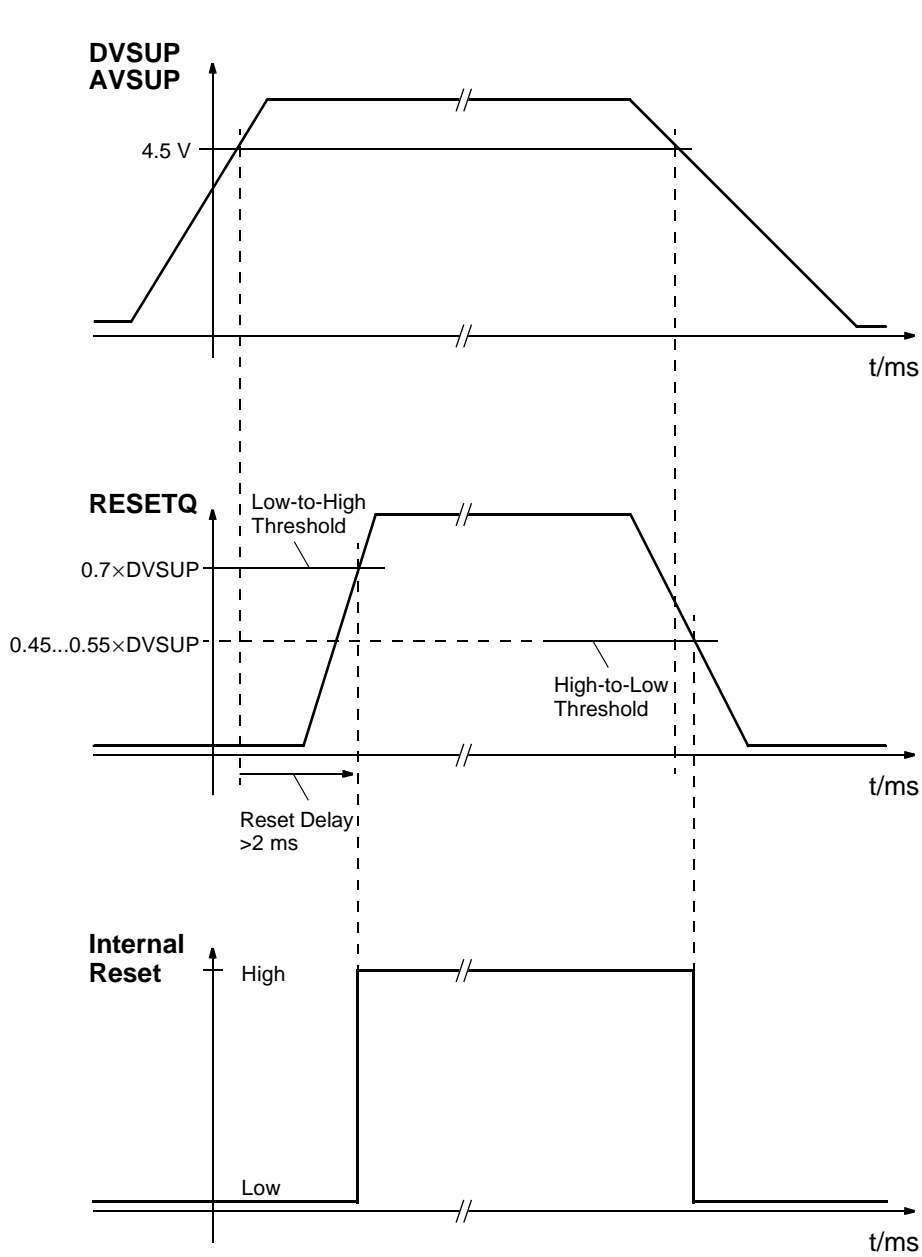
<daw 11 aa aa <dar dd dd> read data from demodulator
 <daw 13 aa aa <dar dd dd> read data from DSP

5.2.4. Examples

<80 00 80 00> RESET MSP statically
 <80 00 00 00> clear RESET
 <80 12 00 08 01 20> set loudspeaker channel source to NICAM and matrix to STEREO

5.3. Start-Up Sequence: Power-Up and I²C-Controlling

After power-on or RESET (see Fig. 5–3), the IC is in an inactive state. The CCU has to transmit the required coefficient set for a given operation via the I²C bus. Initialization should start with the demodulator part. If required for any reason, the audio processing part can be loaded before the demodulator part.



Power-Up Reset: Threshold and Timing
 (Note: $0.7 \times \text{DVSUP}$ means 3.5 Volt with $\text{DVSUP} = 5.0$ Volt)

Note: The reset should not reach high level before the oscillator has started. This requires a reset delay of >2 ms

Fig. 5–3: Power-up sequence

6. Programming the Demodulator and NICAM Decoder Section

6.1. Short-Programming and General Programming of the Demodulator Part

The demodulator part of the MSP 34x0D can be programmed in **two different modes**:

1. Demodulator Short-Programming provides a comfortable way to set up the demodulator for many terrestrial TV sound standards with one single I²C bus transmission. The coding is listed in section 6.4.1. If a parameter does not coincide with the individual programming concept, it simply can be overwritten by using the General Programming Mode. Some bits of the registers AD_CV (see section 6.5.1. on page 25) and MODE_REG (see section 6.5.2. on page 27) are not affected by the short-programming. They must be transmitted once if their reset status does not fit. The Demodulator Short-Programming is not compatible to MSP 3410B and MSP 3400C.

Autodetection for terrestrial TV standards is part of the Demodulator Short-Programming. This feature enables the detection and set-up of the actual TV sound standard within 0.5 s. Since the detected standard is readable by the control processor, the Autodetection feature is mainly recommended for the primary set-up of a TV set: after having once determined the corresponding TV channels, their sound standards can be stored and later on programmed by the Demodulator Short-Programming (see section 6.4.1. on page 23 and section 6.6.1. on page 32).

2. General Programming ensures the software-compatibility to other MSPs. It offers a very flexible way to apply all of the MSP 34x0D demodulator facilities. All registers except 0020_{hex} (Demodulator Short-Programming) have to be written with values corresponding to the individual requirements. For satellite applications, with their many variations, this mode must be selected.

All transmissions on the control bus are 16 bits wide. However, data for the demodulator part have only 8 or 12 significant bits. These data have to be inserted LSB-bound and filled with zero bits into the 16-bit transmission word. Table 4–1 explains how to assign FM carriers to the MSP Sound IF channels and the corresponding matrix modes in the audio processing part.

6.2. Demodulator Write Registers: Table and Addresses

Table 6–1: Demodulator Write Registers; Subaddress: 10_{hex}; these registers are not readable!

Demodulator Write Registers	Address (hex)	Function
Demodulator Short-Programming	0020	Write into this register to apply Demodulator Short Programming (see section 6.4.1. on page 23). If the internal setting coincidences with the individual requirements no more of the remaining Demodulator Write Registers have to be transferred.
AUTO_FM/AM	0021	Only for NICAM: Automatic switching between NICAM and FM/AM in case of bad NICAM reception (see section 6.4.2. on page 24)
Write Registers necessary for General Programming Mode only		
AD_CV	00BB	input selection, configuration of AGC, Mute Function and selection of A/D converter, FM Carrier Mute on/off
MODE_REG	0083	mode register
FIR1 FIR2	0001 0005	filter coefficients channel 1 (6 × 8 bit) filter coefficients channel 2 (6 × 8 bit), + 3 × 8 bit offset (total 72 bits)
DCO1_LO DCO1_HI	0093 009B	increment channel 1 low part increment channel 1 high part
DCO2_LO DCO2_HI	00A3 00AB	increment channel 2 low part increment channel 2 high part
PLL_CAPS	001F	switchable PLL capacitors to tune open-loop frequency; to use only if NICAM of MODE_REG = 0 ; normally not of interest for the customer

6.3. Demodulator Read Registers: Table and Addresses

Table 6–2: Demodulator Read Registers; Subaddress: 11_{hex}; these registers are not writable!

Demodulator Read Registers	Address (hex)	Function
Result of Autodetection	007E	(see Table 6–13)
C_AD_BITS	0023	NICAM Sync bit, NICAM C bits, and three LSBs of additional data bits
ADD_BITS	0038	NICAM: bit [10:3] of additional data bits
CIB_BITS	003E	NICAM: CIB1 and CIB2 control bits
ERROR_RATE	0057	NICAM error rate, updated with 182 ms
CONC_CT	0058	only to be used in MSPB compatibility mode
FAWCT_IST	0025	only to be used in MSPB compatibility mode
PLL_CAPS	021F	Not for customer use.
AGC_GAIN	021E	Not for customer use.

6.4. Demodulator Write Registers for Short-Programming: Functions and Values

In the following, the functions of some registers are explained and their (default) values are defined:

6.4.1. Demodulator Short-Programming

Table 6–3: MSP 34x0D Demodulator Short-Programming

Demodulator Short-Programming 0020 _{hex}							
TV Sound Standard		Internal Setting					
Description	Code (hex)	AD_CV ²⁾ (see Table 6–5)	MODE_REG ²⁾ (see Table 6–8)	DCO1 (MHz)	DCO2 (MHz)	FIR1/2 Coefficients	Identification Mode
Autodetection	0001	Detects and sets one of the standards listed below, if available. Results are to be read out of the demodulator read register “Result of Autodetection” (section 6.6.1.)					
M Dual-FM	0002	AD_CV-FM	M1	4.72421	4.5	see Table 6–11: Terrestrial TV Standards	Reset, then Standard M
B/G Dual-FM	0003	AD_CV-FM	M1	5.74218	5.5		Reset, then Standard B/G
D/K1 Dual-FM	0004	AD_CV-FM	M1	6.25781	6.5		
D/K2 Dual-FM	0005	AD_CV-FM	M1	6.74218	6.5		
	0006/ 0007	reserved for future dual-FM standards					AUTO_FM/AM
B/G NICAM FM	0008	AD_CV-FM	M2	5.85	5.5	see Table 6–11: Terrestrial TV Standards	1)
L NICAM AM	0009	AD_CV-AM	M3	5.85	6.5		
I NICAM FM	000A	AD_CV-FM	M2	6.552	6.0		
D/K NICAM FM	000B	AD_CV-FM	M2	5.85	6.5		
	>000B	reserved for future NICAM Standards					
¹⁾ corresponds to the actual setting of AUTO_FM (Address = 0021 _{hex}) ²⁾ bits of AD_CV or MODE_REG, which are not affected by the short-programming, must be transmitted separately if their reset status does not fit.							
Note: All parameters in the DSP section (Audio Baseband Processing), except the identification mode register, are not affected by the Demodulator Short-Programming. They still have to be defined by the control processor.							

6.4.2. AUTO_FM/AM: Automatic Switching between NICAM and FM/AM-Mono

In case of bad NICAM transmission or loss of the NICAM carrier, the MSPD offers a comfortable mode to switch back to the FM/AM-Mono signal. If automatic switching is active, the MSP internally evaluates the ERROR_RATE. All output channels which are assigned to the NICAM source are switched back to the FM/AM-Mono source without any further CCU instruction, if the NICAM carrier fails or the ERROR_RATE exceeds the definable threshold.

Note, that the channel matrix of the corresponding output channels must be set according to the NICAM mode and need not be changed in the FM/AM fall-back case. An appropriate hysteresis algorithm avoids oscillating effects. The MSB of the Register C_AD_BITS (Addr: 0023_{hex}) informs about the actual NICAM FM/AM Status (see section 6.6.2. on page 32).

There are two possibilities to define the threshold deciding for NICAM or FM/AM-Mono (see Table 6–4):

1. default value of the MSPD (internal threshold = 700, i.e. switch to FM/AM if ERROR_RATE > 700)
2. definable by the customer (recommendable range: threshold = 50...2000, i.e. Bits [10...1] = 25...1000).

Note: The auto_FM feature is only active if the NICAM bit of MODE_REG is set.

Table 6–4: Coding of automatic NICAM FM/AM switching (reset status: mode 0)

Mode	Auto_FM [11...0] Addr. = 0021 _{hex}	Selected Sound at the NICAM Channel Select	Threshold	Comment
0 default	Bit [0] = 0 Bits [11...1] = 0	always NICAM	none	Compatible to MSP 3410B, i.e. automatic switching is disabled
1	Bit [0] = 1 Bit [11...1] = 0	NICAM or FM/AM, depending on ERROR_RATE	700 dec	automatic switching with internal threshold
2	Bit [0] = 1 Bit [10...1] = 25..1000 int = threshold/2 Bit [11] = 0	NICAM or FM/AM, depending on ERROR_RATE	set by customer	automatic switching with external threshold
3	Bit [11] = [0] = 1 Bit [10...1] = 0	always FM/AM	none	Forced FM-Mono mode, i.e. automatic switching is disabled

6.5. Demodulator Write Registers for the General Programming Mode: Functions and Values

6.5.1. Register 'AD_CV'

Table 6–5: AD_CV Register (reset status: all bits are “0”)

AD_CV 00BB _{hex}			Set by Short-Programming	
Bit	Meaning	Settings	AD_CV-FM	AD_CV-AM
AD_CV [0]	not used	must be set to 0	0	0
AD_CV [6...1]	Reference level in case of Automatic Gain Control = on (see Table 6–6). Constant gain factor when Automatic Gain Control = off (see Table 6–7)		101000	100011
AD_CV [7]	Determination of Automatic Gain or Constant Gain	0 = constant gain 1 = automatic gain	1	1
AD_CV [8]	Selection of Sound IF source	0 = ANA_IN1+ 1 = ANA_IN2+	not affected	not affected
AD_CV [9]	MSP Carrier Mute Function (Must be switched off in High Deviation Mode)	0 = off: no mute 1 = on: mute as described in section 4.1.8. on page 12	1	0
AD_CV [15...10]	not used	must be set to 0	000000	000000

Table 6–6: Reference values for active AGC (AD_CV[7] = 1)

Application	Input Signal Contains	AD_CV [6...1] Ref. Value	AD_CV [6...1] (dec)	Range of Input Signal at pin ANA_IN1+ and ANA_IN2+
Terrestrial TV				
Dual-Carr. FM	2 FM Carriers	101000	40	0.10 – 3 V _{pp} ¹⁾
NICAM/FM	1 FM and 1 NICAM Carrier	101000	40	0.10 – 3 V _{pp} ¹⁾
NICAM/AM	1 AM and 1 NICAM Carrier	100011	35	0.10 – 1.4 V _{pp}
NICAM only	1 NICAM Carrier only	010100	20	recommended: 0.10 – 0.8 V _{pp} 0.05 – 1.0 V _{pp}
SAT	1 or more FM Carriers	100011	35	0.10 – 3 V _{pp} ¹⁾
ADR	FM a. ADR carriers	see DRP 3510A data sheet		

¹⁾ For signals above 1.4 V_{pp}, the minimum gain of 3 dB is switched and overflow of the A/D converter may result. Due to the robustness of the internal processing, the IC works up to and even more than 3 V_{pp}, if norm conditions of FM/NICAM or FM1/FM2 ratio are supposed. In this overflow case, a loss of FM S/N ratio of about 10 dB may appear.

Table 6–7: AD_CV parameters for constant input gain (AD_CV[7]=0)

Step	AD_CV [6...1] Constant Gain	Gain	Input Level at pin ANA_IN1+ and ANA_IN2+
0	000000	3.00 dB	maximum input level: 3 V _{pp} (FM) or 1 V _{pp} (NICAM) ¹⁾
1	000001	3.85 dB	
2	000010	4.70 dB	
3	000011	5.55 dB	
4	000100	6.40 dB	
5	000101	7.25 dB	
6	000110	8.10 dB	
7	000111	8.95 dB	
8	001000	9.80 dB	
9	001001	10.65 dB	
10	001010	11.50 dB	
11	001011	12.35 dB	
12	001100	13.20 dB	
13	001101	14.05 dB	
14	001110	14.90 dB	
15	001111	15.75 dB	
16	010000	16.60 dB	
17	010001	17.45 dB	
18	010010	18.30 dB	
19	010011	19.15 dB	
20	010100	20.00 dB	maximum input level: 0.14 V _{pp}

¹⁾ For signals above 1.4 V_{pp}, the minimum gain of 3 dB is switched and overflow of the A/D converter may result. Due to the robustness of the internal processing, the IC works up to and even more than 3 V_{pp}, if norm conditions of FM/NICAM or FM1/FM2 ratio are supposed. In this overflow case, a loss of FM S/N ratio of about 10 dB may appear.

6.5.2. Register 'MODE_REG'

The register 'MODE_REG' contains the control bits determining the operation mode of the MSP 34x0D; Table 6–8 explains all bit positions.

Table 6–8: Control word 'MODE_REG'; reset status: all bits are "0"

MODE_REG 0083 _{hex}				Set by Short-Programming		
Bit	Function	Comment	Definition	M1	M2	M3
[0]	not used		0 : strongly recommended	0	0	0
[1]	DCTR_TRI	Digital control out 0/1 tri-state	0 : active 1 : tri-state	X	X	X
[2]	I2S_TRI	I ² S outputs tri-state (I2S_CL, I2S_WS, I2S_DA_OUT)	0 : active 1 : tri-state	X	X	X
[3]	I ² S Mode ¹⁾	Master/Slave mode of the I ² S bus	0 : Master 1 : Slave	X	X	X
[4]	I2S_WS Mode	WS due to the Sony or Philips Format	0 : Sony 1 : Philips	X	X	X
[5]	AUD_CL_OUT	Switch Audio_Clock_Output to tri-state	0 : on 1 : tri-state	X	X	X
[6]	NICAM ¹⁾	Mode of MSP-Ch1	0 : FM 1 : Nicam	0	1	1
[7]	not used		0 : strongly recommended	0	0	0
[8]	FM AM	Mode of MSP Ch2	0 : FM 1 : AM	0	0	1
[9]	HDEV	High Deviation Mode (channel matrix must be sound A)	0 : normal 1 : high deviation mode	0	0	0
[11...10]	not used		0 : strongly recommended	00	00	00
[12]	MSP Ch1 Gain	see also Table 6–11	0 : Gain = 6 dB 1 : Gain = 0 dB	0	0	0
[13]	FIR1 Filter Coeff. Set	see also Table 6–11	0 : use FIR1 1 : use FIR2	1	0	0
[14]	ADR	Mode of MSP Ch1/ ADR Interface	0 : normal mode/tri-state 1 : ADR mode/active	0	0	0
[15]	AM Gain	Gain for AM Demodulation	0 : 0 dB (default. of MSPB) 1 : 12 dB (recommended)	1	1	1
¹⁾ In case of NICAM operation, I ² S slave mode is not possible. In case of I ² S slave mode, no synchronization to NICAM is allowed.				X: not affected by short-programming		

Table 6–9: Channel modes 'MODE_REG [6, 8, 9]'

NICAM Bit[6]	FM AM Bit[8]	HDEV Bit[9]	MSP Ch1	MSP Ch2
1	0	0	NICAM	FM1
1	1	0	NICAM	AM
0	0	0	FM2	FM1
0	0	1	--	High-Deviation FM

6.5.3. FIR Parameter

The following data values (see Table 6–10) are to be transferred **8 bits at a time embedded LSB-bound in a 16-bit word**.

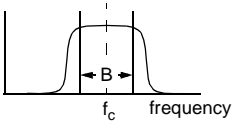
The loading sequences must be obeyed. To change a coefficient set, the complete block FIR1 or FIR2 must be transmitted.

Note: For compatibility with MSP 3410B, IMREG1 and IMREG2 have to be transmitted. The value for IMREG1 and IMREG2 is 004. Due to the partitioning to 8-bit units, the values 04_{hex}, 40_{hex}, and 00_{hex} arise.

Table 6–10: Loading sequence for FIR coefficients

FIR1 0001 _{hex} (MSP Ch1: NICAM/FM2)			
No.	Symbol Name	Bits	Value
1	NICAM/FM2_Coeff. (5)	8	see Table 6–11
2	NICAM/FM2_Coeff. (4)	8	
3	NICAM/FM2_Coeff. (3)	8	
4	NICAM/FM2_Coeff. (2)	8	
5	NICAM/FM2_Coeff. (1)	8	
6	NICAM/FM2_Coeff. (0)	8	
FIR2 0005 _{hex} (MSP Ch2: FM1/AM)			
No.	Symbol Name	Bits	Value
1	IMREG1	8	04 _{hex}
2	IMREG1 / IMREG2	8	40 _{hex}
3	IMREG2	8	00 _{hex}
4	FM/AM_Coef (5)	8	see Table 6–11
5	FM/AM_Coef (4)	8	
6	FM/AM_Coef (3)	8	
7	FM/AM_Coef (2)	8	
8	FM/AM_Coef (1)	8	
9	FM/AM_Coef (0)	8	

Table 6–11: 8-bit FIR coefficients (decimal integer) for MSP 34x0D (reset status: all coefficients are “0”)

Coefficients for FIR1 0001 _{hex} and FIR2 0005 _{hex}														
Coef(i)	Terrestrial TV Standards						FM Satellite		FIR filter corresponds to a band-pass with a bandwidth of B = 130 to 500 kHz 					
	B/G-, D/K- NICAM-FM		I- NICAM-FM		L- NICAM-AM		B/G-, D/K-, M-Dual FM	130 kHz	180 kHz	200 kHz	280 kHz	380 kHz	500 kHz	Auto- search
	FIR1	FIR2	FIR1	FIR2	FIR1	FIR2	FIR2	FIR2	FIR2	FIR2	FIR2	FIR2	FIR2	FIR2
0	-2	3	2	3	-2	-4	3	73	9	3	-8	-1	-1	-1
1	-8	18	4	18	-8	-12	18	53	18	18	-8	-9	-1	-1
2	-10	27	-6	27	-10	-9	27	64	28	27	4	-16	-8	-8
3	10	48	-4	48	10	23	48	119	47	48	36	5	2	2
4	50	66	40	66	50	79	66	101	55	66	78	65	59	59
5	86	72	94	72	86	126	72	127	64	72	107	123	126	126
Mode- REG[12]	0		0		0		0	1	1	1	1	1	1	0
Mode- REG[13]	0		0		0		1	1	1	1	1	1	1	0
For compatibility, except for the FIR2 AM and the autosearch sets, the FIR filter programming as used for the MSP 3410B is also possible.														
ADR coefficients are listed in the DRP data sheet.														

6.5.4. DCO Registers

For a chosen TV standard, a corresponding set of 24-bit registers determining the mixing frequencies of the quadrature mixers, has to be written into the IC. In Table 6–12, some examples of DCO registers are listed. It is necessary to divide them up into low part and high part. The formula for the calculation of the registers for any chosen IF frequency is as follows:

$$\text{INCR}_{\text{dec}} = \text{int}(f / f_s \cdot 2^{24})$$

with: int = integer function
 f = IF frequency in MHz
 f_s = sampling frequency (18.432 MHz)

Conversion of INCR into hex format and separation of the 12-bit low and high parts lead to the required register values (DCO1_HI or _LO for MSP Ch1, DCO2_HI or LO for MSP Ch2).

Table 6–12: DCO registers for the MSP 34x0D (reset status: DCO_HI/LO = “0000”)

DCO1_LO 0093 _{hex} , DCO1_HI 009B _{hex} ; DCO2_LO 00A3 _{hex} , DCO2_HI 00AB _{hex}					
Freq. [MHz]	DCO_HI _{hex}	DCO_LO _{hex}	Freq. [MHz]	DCO_HI _{hex}	DCO_LO _{hex}
4.5	03E8	0000			
5.04	0460	0000	5.76	0500	0000
5.5	04C6	038E	5.85	0514	0000
5.58	04D8	0000	5.94	0528	0000
5.7421875	04FC	00AA			
6.0	0535	0555	6.6	05BA	0AAA
6.2	0561	0C71	6.65	05C5	0C71
6.5	05A4	071C	6.8	05E7	01C7
6.552	05B0	0000			
7.02	0618	0000	7.2	0640	0000
7.38	0668	0000	7.56	0690	0000

6.6. Demodulator Read Registers: Functions and Values

All registers except C_AD_BITS are 8 bits wide. They can be read out of the RAM of the MSP 34x0D.

All transmissions take place in 16-bit words. The valid 8 bit data are the 8 LSBs of the received data word.

To enable appropriate switching of the channel select matrix of the baseband processing part, the NICAM or FM identification parameters must be read and evaluated by the CCU. The FM identification registers are described in section 7.2. on page 39. To handle the NICAM sound and to observe the NICAM quality, at least the registers C_AD_BITS and ERROR_RATE must be read and evaluated by the CCU. Additional data bits and CIB bits, if supplied by the NICAM transmitter, can be obtained by reading the registers ADD_BITS and CIB_BITS.

Observing the presence and quality of NICAM can be delegated to the MSP 3410D, if the automatic switching feature (AUTO_FM, section 6.6.1. on page 32) is applied.

Table 6–13: Result of Autodetection

Result of Autodetect 007E _{hex}			
Code (Data) hex	Detected TV Sound Standard Note: After detection, the detected standard is set automatically according to Table 6–3.		
>07FF	autodetect still active		
0000	no TV sound standard was detected; select sound standard manually		
0002	M Dual FM, even if only FM1 is available		
0003	B/G Dual FM, even if only FM1 is available		
0008	B/G FM NICAM, only if NICAM is available		
0009	L_AM NICAM, whenever a 6.5-MHz carrier is detected, even if NICAM is not available. If also D/K might be possible, a decision has to be made according to the video mode:		
	Video = SECAM_L → no more activities necessary	Video = SECAM_EAST	
		CAD_BITS[0] = 0	CAD_BITS[0] = 1
		To be set by means of the short programming mode:	
	D/K1 or D/K2 (see section 6.6.1.)	D/K-NICAM (standard 00B _{hex})	
000A	I-FM-NICAM, even if NICAM is not available		
<p>Note: Similar as for the Demodulator Short-Programming, the Autodetection does not affect most of the parameters of the DSP section (Audio Baseband Processing): The following exceptions are to be considered:</p> <ul style="list-style-type: none"> – identification mode: Autodetection resets and sets the corresponding identification mode – Prescale FM/AM and FM matrix and Deemphasis FM are undefined after Autodetection 			

6.6.1. Autodetection of Terrestrial TV Audio Standards

By means of Autodetect, the MSP 34x0D offers a simple and fast (<0.5 s) facility to detect the actual TV audio standard. The algorithm checks for the FM-Mono and NICAM carriers of all common TV sound standards. The following notes must be considered when applying the Autodetect feature:

1. Since there is no way to distinguish between AM and FM carrier, a carrier detected at 6.5 MHz is interpreted as an AM carrier. If video detection results in SECAM East, the MSPD result "9" of Autodetect must be reinterpreted as "B_{hex}" in case of CAD_BITS[0] = 1, or as "4" or "5" by using the demodulator short programming mode. A simple decision can be made between the two D/K FM stereo standards by setting D/K1 and D/K2 using the short programming mode and checking the identification of both versions (see Table 6–13 on page 31).
2. During active Autodetect, no I²C transfers besides reading the autodetect result are recommended. Results exceeding 07FF_{hex} indicate an active autodetect.
3. The results are to be understood as static information, i.e. no evaluation of FM or NICAM identification concerning the dynamic mode (stereo, bilingual, or mono) are done.
4. Before switching to Autodetect, the audio processing part should be muted. Do not forget to demute after having received the result.

6.6.2. C_AD_BITS

NICAM operation mode control bits and A[2...0] of the additional data bits.

Format:

MSB		C_AD_BITS 0023 _{hex}							LSB	
11	...	7	6	5	4	3	2	1	0	
Auto_FM	...	A[2]	A[1]	A[0]	C4	C3	C2	C1	S	

Important: "S" = Bit[0] indicates correct NICAM synchronization (S=1). If S=0, the MSP 3410D has not yet synchronized correctly to frame and sequence, or has lost synchronization. The remaining read registers are therefore not valid. The MSP 3410D mutes the NICAM output automatically and tries to synchronize again as long as MODE_REG[6] is set.

The operation mode is coded by C4...C1 as shown in Table 6–14.

Table 6–14: NICAM operation modes as defined by the EBU NICAM 728 specification

C4	C3	C2	C1	Operation Mode
0	0	0	0	Stereo sound (NICAM A/B), independent mono sound (FM1)
0	0	0	1	Two independent mono signals (NICAM A, FM1)
0	0	1	0	Three independent mono channels (NICAM A, NICAM B, FM1)
0	0	1	1	Data transmission only; no audio
1	0	0	0	Stereo sound (NICAM A/B), FM1 carries same channel
1	0	0	1	One mono signal (NICAM A). FM1 carries same channel as NICAM A
1	0	1	0	Two independent mono channels (NICAM A, NICAM B). FM1 carries same channel as NICAM A
1	0	1	1	Data transmission only; no audio
x	1	x	x	Unimplemented sound coding option (not yet defined by EBU NICAM 728 specification)

AUTO_FM: monitor bit for the AUTO_FM Status:
0: NICAM source is NICAM
1: NICAM source is FM

6.6.3. ADD_BITS [10...3] 0038_{hex}

Contains the remaining 8 of the 11 additional data bits. The additional data bits are not yet defined by the NICAM 728 system.

Format:

MSB		ADD_BITS 0038 _{hex}						LSB	
7	6	5	4	3	2	1	0		
A[10]	A[9]	A[8]	A[7]	A[6]	A[5]	A[4]	A[3]		

6.6.4. CIB_BITS

Cib bits 1 and 2 (see NICAM 728 specifications).

Format:

MSB		CIB_BITS 003E _{hex}						LSB	
7	6	5	4	3	2	1	0		
x	x	x	x	x	x	CIB1	CIB2		

6.6.5. ERROR_RATE 0057_{hex}

Average error rate of the NICAM reception in a time interval of 182 ms, which should be close to 0. The initial and maximum value of ERROR_RATE is 2047. This value is also active, if the NICAM bit of MODE_REG is not set. Since the value is achieved by filtering, a certain transition time (appr. 0.5 sec) is unavoidable. Acceptable audio may have error_rates up to a value of 700_{dec}. Individual evaluation of this value by the CCU and an appropriate threshold may define the fallback mode from NICAM to FM/AM-Mono in case of poor NICAM reception.

The bit error rate per second (BER) can be calculated by means of the following formula:

$$\text{BER} = \text{ERROR_RATE} \times 12.3 \times 10^{-6} / \text{s}$$

If the automatic switching feature is applied (AUTO_FM; section 6.4.2. on page 24), reading of ERROR_RATE can be omitted.

6.6.6. CONC_CT (for compatibility with MSP 3410B)

This register contains the actual number of bit errors of the previous 728-bit data frame. Evaluation of CONC_CT is no longer recommended.

6.6.7. FAWCT_IST (for compatibility with MSP 3410B)

For compatibility with MSP 3410B this value equals 12 as long as NICAM quality is sufficient. It decreases to 0 if NICAM reception gets poor. Evaluation of FAWCT_IST is no longer recommended.

6.6.8. PLL_CAPS

It is possible to read out the actual setting of the PLL_CAPS. In standard applications, this register is not of interest for the customer.

PLL_CAPS	021F _{hex}
minimum frequency	0111 1111 7F _{hex}
nominal frequency	0101 0110 56 _{hex} RESET
maximum frequency	0000 0000 00 _{hex}

6.6.9. AGC_GAIN

It is possible to read out the actual setting of AGC_GAIN in Automatic Gain Mode. In standard applications, this register is not of interest for the customer.

AGC_GAIN	021E _{hex}
max. amplification (20 dB)	0001 0100 14 _{hex}
min. amplification (3 dB)	0000 0000 00 _{hex}

6.7. Sequences to Transmit Parameters and to Start Processing

After having been switched on, the MSP has to be initialized by transmitting the parameters according to the LOAD_SEQ_1/2 (see Table 6–15 on page 34). The data are immediately active after transmission into the MSP. It is no longer necessary to transmit LOAD_REG_1/2 or LOAD_REG_1 as it was for MSP 34x0B. Nevertheless, transmission of LOAD_REG_1/2 or LOAD_REG_1 does no harm.

For NICAM operation, the following steps listed in 'NICAM_WAIT, _READ, and _CHECK' in Table 6–15 must be taken.

For FM-Stereo operation, the evaluation of the identification signal must be performed. For a positive identification check, the MSP 3410D sound channels have to be switched corresponding to the detected operation mode.

Table 6–15: Sequences to initialize and start the MSP 34x0D

LOAD_SEQ_1/2: General Initialization	
General Programming Mode	Demodulator Short Programming
Write into MSP 34x0D: 1. AD_CV 2. FIR1 3. FIR2 4. MODE_REG 5. DCO1_LO 6. DCO1_HI 7. DCO2_LO 8. DCO2_HI	Write into MSP 34x0D: For example: Addr: 0020 _{hex} , Data 0008 _{hex} Alternatively, for terrestrial reception, the Autodetect feature can be applied.
AUDIO PROCESSING INIT	
Initialization of Audio Baseband Processing section, which may be customer-dependent (see section 7. on page 37).	
NICAM_WAIT: Automatic start of the NICAM Decoder if Bit[6] of MODE_REG is set to 1	
1. Wait at least 0.25 s	
NICAM_CHECK: Read NICAM specific information and check for presence, operation mode, and quality of NICAM signal.	
Read out of MSP 3410D: 1. C_AD_BITS 2. CONC_CT or ERROR_RATE; if AUTO_FM is active, reading of CONC_CT or ERROR_RATE can be omitted. Evaluation of C_AD_BITS and CONC_CT or ERROR_RATE in the CCU (see section 6.6. on page 31). If necessary, switch the corresponding sound channels within the audio baseband processing section.	
FM_WAIT: Automatic start of the FM identification process if Bit[6] of MODE_REG is set to 0.	
1. Ident Reset 2. Wait at least 0.5 s	
FM_IDENT_CHECK: Read FM specific information and check for presence, operation mode, and quality of dual-carrier FM.	
Read out of MSP 34x0D: 1. Stereo detection register (DSP register 0018 _{hex} , high part) Evaluation of the stereo detection register (see section 7.6.1. on page 50). If necessary, switch the corresponding sound channels within the audio baseband processing section.	
LOAD_SEQ_1: Reinitialization of Channel 1 without affecting Channel 2	
Write into MSP 34x0D: 1. FIR1 (6 x 8 bit) 2. MODE_REG (12 bit) 3. DCO1_LO (12 bit) 4. DCO1_HI	Write into MSP 34x0D: For example: Addr: 0020 _{hex} , Data: 0003 _{hex}
PAUSE: Duration of “Pause” determines the repetition rate of the NICAM or the FM_IDENT check.	
Note: If downward-compatibility to the MSP 34x0B is required, the MSP 34x0D may be programmed according to the MSP 34x0B data sheet.	

6.8. Software Proposals for Multistandard TV Sets

To familiarize the reader with the programming scheme of the MSP 34x0D demodulator part, three examples in the shape of flow diagrams are shown in the following sections.

6.8.1. Multistandard Including System B/G with NICAM/FM-Mono only

Fig. 6–1 shows a flow diagram for the CCU software, applied for the MSP 3410D in a TV set, which facilitates NICAM and FM-Mono sound. For the instructions, please refer to Table 6–15.

If the program is changed, resulting in another program within the Scandinavian System B/G, no parameters of the MSP 3410D need be modified. To facilitate the check for NICAM, the CCU has only to continue at the 'NICAM_WAIT' instruction. During the NICAM identification process, the MSP 3410D must be switched to the FM-Mono sound.

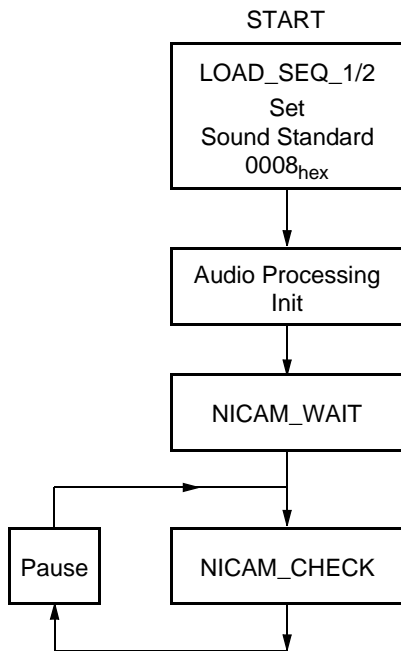


Fig. 6–1: CCU software flow diagram: standard B/G NICAM/FM-Mono only with Demodulator Short Programming Mode

6.8.2. Multistandard Including System I with NICAM/FM-Mono only

This case is identical to the afore-mentioned. The only difference consists in selecting the UK TV sound standard, which is coded with 000A_hex of register 0020_hex.

6.8.3. Multistandard Including System B/G with NICAM/FM-Mono and German DUAL-FM

Fig. 6–3 shows a flow diagram for the CCU software, applied for the MSP 3410D in a TV set which supports all standards according to system B/G. For the instructions used in the diagram, please refer to Table 6–15.

After having switched on the TV set and having initialized the MSP 3410D (LOAD_SEQ_1/2), FM-Mono sound is available.

Fig. 6–3 shows that to check for any stereo or bilingual audio information, the TV sound standards 0008_hex (B/G-NICAM) and 0003_hex must simply be set alternately. If successful, the MSP 3410D must switch to the desired audio mode.

6.8.4. Satellite Mode

Fig. 6–2 shows the simple flow diagram to be used for the MSP 34x0D in a satellite receiver. For FM-Mono operation, the corresponding FM carrier should preferably be processed at the MSP channel 2.

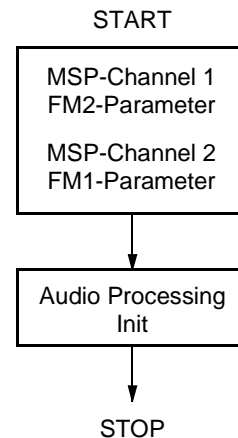


Fig. 6–2: CCU software flow diagram: SAT mode

6.8.5. Automatic Search Function for FM Carrier Detection

The AM demodulation ability of the MSP 34x0D offers the possibility to calculate the “field strength” of the momentarily selected FM carrier, which can be read out by the CCU. In SAT receivers, this feature can be used to make automatic FM carrier search possible.

Therefore, the MSPD has to be switched to AM mode (MODE_REG[8]), FM prescale must be set to 7F_hex=+127_dec, and the FM DC notch must be switched off. The sound IF frequency range must now be “scanned” in the MSPD channel 2 by means of the programmable quadrature mixer with an appropriate incremental frequency (i.e. 10 kHz).

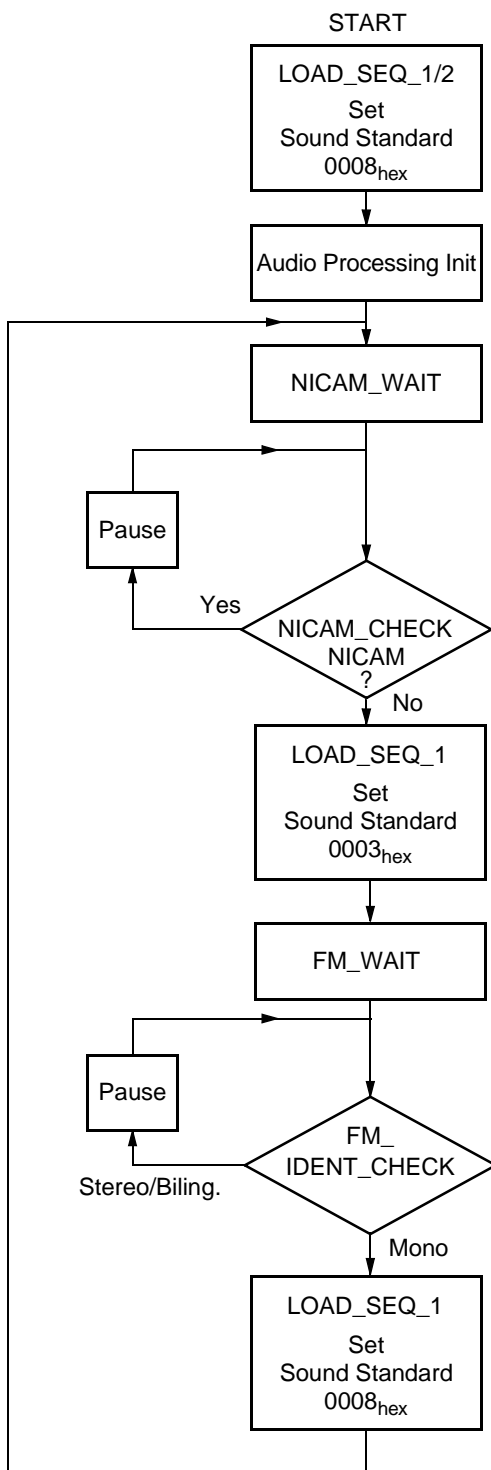


Fig. 6–3: CCU software flow diagram: standard B/G with NICAM or FM-Stereo with Demodulator Short Programming

After each incrementation, a field strength value is available at the quasi-peak detector output (quasi-peak detector source must be set to FM), which must be examined for relative maxima by the CCU. This results in either continuing search or switching the MSP 34x0D back to FM demodulation mode.

During the search process, the FIR2 must be loaded with the coefficient set “AUTOSEARCH”, which enables small bandwidth, resulting in appropriate field strength characteristics. The absolute field strength value (can be read out of “quasi peak detector output FM1”) also gives information on whether a main FM carrier or a subcarrier was detected, and as a practical consequence, the FM bandwidth (FIR1/2) and the deemphasis (50 μ s or adaptive) can be switched automatically.

Due to the fact that a constant demodulation frequency offset of a few kHz, leads to a DC level in the demodulated signal, further fine tuning of the found carrier can be achieved by evaluating the “DC Level Readout FM1”. Therefore, the FM DC Notch must be switched on, and the demodulator part must be switched back to FM demodulation mode.

For a detailed description of the automatic search function, please refer to the corresponding MSP 34xxD Windows software.

Note: The automatic search is still possible by evaluating only the DC Level Readout FM1 (DC Notch On) as it is described with the MSP 34x0B, but the above mentioned method is faster. If this DC Level method is applied with the MSP 34x0D, it is recommended to set MODE_REG[15] to 1 (AM gain = 12 dB) and to use the new Autosearch FIR2 coefficient set as given in Table 6–11.

7. Programming the DSP Section (Audio Baseband Processing)

7.1. DSP Write Registers: Table and Addresses

Table 7–1: DSP Write Registers; Subaddress: 12_{hex}; if necessary, these registers are readable as well.

DSP Write Register	Address	High/Low	Adjustable Range, Operational Modes	Reset Mode
Volume loudspeaker channel	0000 _{hex}	H	[+12 dB ... –114 dB, MUTE]	MUTE
Volume / Mode loudspeaker channel		L	1/8 dB Steps, Reduce Volume / Tone Control	00 _{hex}
Balance loudspeaker channel [L/R]	0001 _{hex}	H	[0...100 / 100% and vv][–127 .. 0 / 0 dB and vv]	100% / 100%
Balance Mode loudspeaker		L	[Linear mode / logarithmic mode]	linear mode
Bass loudspeaker channel	0002 _{hex}	H	[+20 dB ... –12 dB]	0 dB
Treble loudspeaker channel	0003 _{hex}	H	[+15 dB ... –12 dB]	0 dB
Loudness loudspeaker channel	0004 _{hex}	H	[0 dB ... +17 dB]	0 dB
Loudness Filter Characteristic		L	[NORMAL, SUPER_BASS]	NORMAL
Spatial effect strength loudspeaker ch.	0005 _{hex}	H	[–100%...OFF...+100%]	OFF
Spatial effect mode/customize		L	[SBE, SBE+PSE]	SBE+PSE
Volume headphone channel	0006 _{hex}	H	[+12 dB ... –114 dB, MUTE]	MUTE
Volume / Mode headphone channel		L	1/8 dB Steps, Reduce Volume / Tone Control	00 _{hex}
Volume / SCART1 channel	0007 _{hex}	H	[00 _{hex} ... 7F _{hex}],[+12 dB ... –114 dB, MUTE]	00 _{hex}
Volume / Mode SCART1 channel		L	[Linear mode / logarithmic mode]	linear mode
Loudspeaker channel source	0008 _{hex}	H	[FM/AM, NICAM, SCART, I ² S1, I ² S2]	FM/AM
Loudspeaker channel matrix		L	[SOUNDA, SOUNDB, STEREO, MONO...]	SOUNDA
Headphone channel source	0009 _{hex}	H	[FM/AM, NICAM, SCART, I ² S1, I ² S2]	FM/AM
Headphone channel matrix		L	[SOUNDA, SOUNDB, STEREO, MONO...]	SOUNDA
SCART1 channel source	000A _{hex}	H	[FM/AM, NICAM, SCART, I ² S1, I ² S2]	FM/AM
SCART1 channel matrix		L	[SOUNDA, SOUNDB, STEREO, MONO...]	SOUNDA
I ² S channel source	000B _{hex}	H	[FM/AM, NICAM, SCART, I ² S1, I ² S2]	FM/AM
I ² S channel matrix		L	[SOUNDA, SOUNDB, STEREO, MONO...]	SOUNDA
Quasi-peak detector source	000C _{hex}	H	[FM/AM, NICAM, SCART, I ² S1, I ² S2]	FM/AM
Quasi-peak detector matrix		L	[SOUNDA, SOUNDB, STEREO, MONO...]	SOUNDA
Prescale SCART	000D _{hex}	H	[00 _{hex} ... 7F _{hex}]	00 _{hex}
Prescale FM/AM	000E _{hex}	H	[00 _{hex} ... 7F _{hex}]	00 _{hex}
FM matrix		L	[NO_MAT, GSTEREO, KSTEREO]	NO_MAT
Deemphasis FM	000F _{hex}	H	[50 μs, 75 μs, J17, OFF]	50 μs
Adaptive Deemphasis FM		L	[OFF, WP1]	OFF
Prescale NICAM	0010 _{hex}	H	[00 _{hex} ... 7F _{hex}]	00 _{hex}

Table 7–1: DSP Write Registers; Subaddress: 12_{hex}; if necessary, these registers are readable as well., continued

DSP Write Register	Address	High/Low	Adjustable Range, Operational Modes	Reset Mode
Prescale I ² S2	0012 _{hex}	H	[00 _{hex} ... 7F _{hex}]	10 _{hex}
ACB Register (SCART Switching Facilities and Digital Control Output Pins)	0013 _{hex}	H/L	Bits [15...0]	00 _{hex}
Beeper	0014 _{hex}	H/L	[00 _{hex} ... 7F _{hex}]/[00 _{hex} ... 7F _{hex}]	0/0
Identification Mode	0015 _{hex}	L	[B/G, M]	B/G
Prescale I ² S1	0016 _{hex}	H	[00 _{hex} ... 7F _{hex}]	10 _{hex}
FM DC Notch	0017 _{hex}	L	[ON, OFF]	ON
Mode Tone Control	0020 _{hex}	H	[BASS/TREBLE, EQUALIZER]	BASS/TREB
Equalizer loudspeaker ch. band 1	0021 _{hex}	H	[+12 dB ... –12 dB]	0 dB
Equalizer loudspeaker ch. band 2	0022 _{hex}	H	[+12 dB ... –12 dB]	0 dB
Equalizer loudspeaker ch. band 3	0023 _{hex}	H	[+12 dB ... –12 dB]	0 dB
Equalizer loudspeaker ch. band 4	0024 _{hex}	H	[+12 dB ... –12 dB]	0 dB
Equalizer loudspeaker ch. band 5	0025 _{hex}	H	[+12 dB ... –12 dB]	0 dB
Automatic Volume Correction	0029 _{hex}	H	[off, on, decay time]	off
Volume Subwoofer channel	002C _{hex}	H	[0 dB ... –30 dB, mute]	0 dB
Subwoofer Channel Corner Frequency	002D _{hex}	H	[50 Hz ... 400 Hz]	00 _{hex}
Subwoofer: Complementary High-pass		L	[off, on]	off
Balance headphone channel [L/R]	0030 _{hex}	H	[0...100 / 100% and vv][–127...0 / 0 dB and vv]	100% /100%
Balance Mode headphone		L	[Linear mode / logarithmic mode]	linear mode
Bass headphone channel	0031 _{hex}	H	[+20 dB ... –12 dB]	0 dB
Treble headphone channel	0032 _{hex}	H	[+15 dB ... –12 dB]	0 dB
Loudness headphone channel	0033 _{hex}	H	[0 dB ... +17 dB]	0 dB
Loudness filter characteristic		L	[NORMAL, SUPER_BASS]	NORMAL
Volume SCART2 channel	0040 _{hex}	H	[00 _{hex} ... 7F _{hex}],[+12 dB ... –114 dB, MUTE]	00 _{hex}
Volume / Mode SCART2 channel		L	[Linear mode / logarithmic mode]	linear mode
SCART2 channel source	0041 _{hex}	H	[FM, NICAM, SCART, I ² S1, I ² S2]	FM
SCART2 channel matrix		L	[SOUNDA, SOUNDB, STEREO, MONO...]	SOUNDA

7.2. DSP Read Registers: Table and Addresses

Table 7–2: DSP Read Registers; Subaddress: 13_{hex}; these registers are not writable.

DSP Read Register	Address	High/Low	Output Range	
Stereo detection register	0018 _{hex}	H	[80 _{hex} ... 7F _{hex}]	8 bit two's complement
Quasi-peak readout left	0019 _{hex}	H&L	[0000 _{hex} ... 7FFF _{hex}]	16 bit two's complement
Quasi-peak readout right	001A _{hex}	H&L	[0000 _{hex} ... 7FFF _{hex}]	16 bit two's complement
DC level readout FM1/Ch2-L	001B _{hex}	H&L	[8000 _{hex} ... 7FFF _{hex}]	16 bit two's complement
DC level readout FM2/Ch1-R	001C _{hex}	H&L	[8000 _{hex} ... 7FFF _{hex}]	16 bit two's complement
MSP hardware version code	001E _{hex}	H	[00 _{hex} ... FF _{hex}]	
MSP major revision code		L	[00 _{hex} ... FF _{hex}]	
MSP product code	001F _{hex}	H	[00 _{hex} ... 0A _{hex}]	
MSP ROM version code		L	[00 _{hex} ... FF _{hex}]	

7.3. DSP Write Registers: Functions and Values

Write registers are 16 bit wide, whereby the MSB is denoted bit [15]. Transmissions via I²C bus have to take place in 16-bit words. Some of the defined 16-bit words are divided into low [7...0] and high [15...8] byte, or in an other manner, thus holding two different control entities. All write registers are readable. Unused parts of the 16-bit registers must be zero. Addresses not given in this table must not be written at any time!

7.3.1. Volume – Loudspeaker and Headphone Channel

Volume Loudspeaker	0000_{hex}	[15...4]
Volume Headphone	0006_{hex}	[15...4]
+12 dB	0111 1111 0000 ¹⁾	7F0 _{hex}
+11.875 dB	0111 1110 1110	7EE _{hex}
+0.125 dB	0111 0011 0010	732 _{hex}
0 dB	0111 0011 0000	730 _{hex}
-0.125 dB	0111 0010 1110	72E _{hex}
-113.875 dB	0000 0001 0010	012 _{hex}
-114 dB	0000 0001 0000	010 _{hex}
Mute	0000 0000 0000 RESET	000 _{hex}
Fast Mute	1111 1111 1110	FFE _{hex}
¹⁾ Bit[4] must always be set to 0		

The highest given positive 12-bit number (7F0_{hex}) yields in a maximum possible gain of 12 dB. Decreasing the volume register by 2 LSBs decreases the volume by 0.125 dB. Volume settings lower than the given minimum mute the output. With large scale input signals, positive volume settings may lead to signal clipping.

The MSPD loudspeaker and headphone volume function is divided up into a digital and an analog section.

With Fast Mute, volume is reduced to mute position by digital volume only. Analog volume is not changed. This reduces any audible DC plops. Going back from Fast Mute should be done to the volume step which was in existence before Fast Mute was activated.

The Fast Mute facility is activated by the I2C command. After 75 ms (typically), the signal is completely ramped down.

Clipping Mode Loudspeaker	0000_{hex}	[3..0]
Clipping Mode Headphone	0006_{hex}	[3..0]
Reduce Volume	0000 RESET	0 _{hex}
Reduce Tone Control	0001	1 _{hex}
Compromise Mode	0010	2 _{hex}

If the clipping mode is set to “Reduce Volume”, the following clipping procedure is used: To prevent severe clipping effects with bass, treble, or equalizer boosts, the internal volume is automatically limited to a level where, in combination with either bass, treble, or equalizer setting, the amplification does not exceed 12 dB.

If the clipping mode is “Reduce Tone Control”, the bass or treble value is reduced if amplification exceeds 12 dB. If the equalizer is switched on, the gain of those bands is reduced, where amplification together with volume exceeds 12 dB.

If the clipping mode is “Compromise Mode”, the bass or treble value and volume are reduced half and half if amplification exceeds 12 dB. If the equalizer is switched on, the gain of those bands is reduced half and half, where amplification together with volume exceeds 12 dB.

Example:	Vol.: +6 dB	Bass: +9 dB	Treble: +5 dB
Red. Volume	3	9	5
Red. Tone Con.	6	6	5
Compromise	4.5	7.5	5

7.3.2. Balance – Loudspeaker and Headphone Channel

Positive balance settings reduce the left channel without affecting the right channel; negative settings reduce the right channel leaving the left channel unaffected. In linear mode, a step by 1 LSB decreases or increases the balance by about 0.8 % (exact figure: 100/127). In logarithmic mode, a step by 1 LSB decreases or increases the balance by 1 dB.

Balance Mode Loudspeaker	0001_{hex}	[3..0]
Balance Mode Headphone	0030_{hex}	[3..0]
linear	0000 RESET	0 _{hex}
logarithmic	0001	1 _{hex}

Linear Mode		
Balance Loudspeaker Channel [L/R]	0001_{hex}	H
Balance Headphone Channel [L/R]	0030_{hex}	H
Left muted, Right 100 %	0111 1111	7F _{hex}
Left 0.8 %, Right 100 %	0111 1110	7E _{hex}
Left 99.2 %, Right 100 %	0000 0001	01 _{hex}
Left 100 %, Right 100 %	0000 0000 RESET	00 _{hex}
Left 100 %, Right 99.2 %	1111 1111	FF _{hex}
Left 100 %, Right 0.8 %	1000 0010	82 _{hex}
Left 100 %, Right muted	1000 0001	81 _{hex}

Logarithmic Mode		
Balance Loudspeaker Channel [L/R]	0001_{hex}	H
Balance Headphone Channel [L/R]	0030_{hex}	H
Left –127 dB, Right 0 dB	0111 1111	7F _{hex}
Left –126 dB, Right 0 dB	0111 1110	7E _{hex}
Left –1 dB, Right 0 dB	0000 0001	01 _{hex}
Left 0 dB, Right 0 dB	0000 0000 RESET	00 _{hex}
Left 0 dB, Right –1 dB	1111 1111	FF _{hex}
Left 0 dB, Right –127 dB	1000 0001	81 _{hex}
Left 0 dB, Right –128 dB	1000 0000	80 _{hex}

7.3.3. Bass – Loudspeaker and Headphone Channel

Bass Loudspeaker	0002_{hex}	H
Bass Headphone	0031_{hex}	H
+20 dB	0111 1111	7F _{hex}
+18 dB	0111 1000	78 _{hex}
+16 dB	0111 0000	70 _{hex}
+14 dB	0110 1000	68 _{hex}
+12 dB	0110 0000	60 _{hex}
+11 dB	0101 1000	58 _{hex}
+1 dB	0000 1000	08 _{hex}
+1/8 dB	0000 0001	01 _{hex}
0 dB	0000 0000 RESET	00 _{hex}
–1/8 dB	1111 1111	FF _{hex}
–1 dB	1111 1000	F8 _{hex}
–11 dB	1010 1000	A8 _{hex}
–12 dB	1010 0000	A0 _{hex}

With positive bass settings, internal overflow may occur even with overall volume less than 0 dB. This will lead to a clipped output signal. Therefore, it is not recommended to set bass to a value that, in conjunction with volume, would result in an overall positive gain.

Loudspeaker channel: Bass and Equalizer cannot work simultaneously (see section 7.3.22.: Mode Tone Control). If Equalizer is used, Bass and Treble coefficients must be set to zero and vice versa.

7.3.4. Treble – Loudspeaker and Headphone Channel

Treble Loudspeaker	0003_{hex}	H
Treble Headphone	0032_{hex}	H
+15 dB	0111 1000	78 _{hex}
+14 dB	0111 0000	70 _{hex}
+1 dB	0000 1000	08 _{hex}
+1/8 dB	0000 0001	01 _{hex}
0 dB	0000 0000 RESET	00 _{hex}
-1/8 dB	1111 1111	FF _{hex}
-1 dB	1111 1000	F8 _{hex}
-11 dB	1010 1000	A8 _{hex}
-12 dB	1010 0000	A0 _{hex}

With positive treble settings, internal overflow may occur even with overall volume less than 0 dB. This will lead to a clipped output signal. Therefore, it is not recommended to set treble to a value that, in conjunction with volume, would result in an overall positive gain.

Loudspeaker channel: Treble and Equalizer cannot work simultaneously (see section 7.3.22.: Mode Tone Control). If Equalizer is used, Bass and Treble coefficients must be set to zero and vice versa.

7.3.5. Loudness – Loudspeaker and Headphone Channel

Loudness Loudspeaker	0004_{hex}	H
Loudness Headphone	0033_{hex}	H
+17 dB	0100 0100	44 _{hex}
+16 dB	0100 0000	40 _{hex}
+1 dB	0000 0100	04 _{hex}
0 dB	0000 0000 RESET	00 _{hex}

Mode Loudness Loudspeaker	0004_{hex}	L
Mode Loudness Headphone	0033_{hex}	L
Normal (constant volume at 1 kHz)	0000 0000 RESET	00 _{hex}
Super Bass (constant volume at 2 kHz)	0000 0100	04 _{hex}

Loudness increases the volume of low and high frequency signals, while keeping the amplitude of the 1 kHz reference frequency constant. The intended loudness has to be set according to the actual volume setting. Because loudness introduces gain, it is not recommended to set loudness to a value that, in conjunction with volume, would result in an overall positive gain.

By means of 'Mode Loudness', the corner frequency for bass amplification can be set to two different values. In Super Bass mode, the corner frequency is shifted up. The point of constant volume is shifted from 1 kHz to 2 kHz.

7.3.6. Spatial Effects – Loudspeaker Channel

Spatial Effect Strength Loudspeaker	0005 _{hex}	H
Enlargement 100%	0111 1111	7F _{hex}
Enlargement 50%	0011 1111	3F _{hex}
Enlargement 1.5%	0000 0001	01 _{hex}
Effect off	0000 0000 RESET	00 _{hex}
Reduction 1.5%	1111 1111	FF _{hex}
Reduction 50%	1100 0000	C0 _{hex}
Reduction 100%	1000 0000	80 _{hex}

Spatial Effect Mode Loudspeaker	0005 _{hex}	[7...4]
Stereo Basewidth Enlargement (SBE) and Pseudo Stereo Effect (PSE). (Mode A)	0000 RESET	0 _{hex}
Stereo Basewidth Enlargement (SBE) only. (Mode B)	0010	2 _{hex}

Spatial Effect Customize Coefficient Loudspeaker	0005 _{hex}	[3...0]
max. high-pass gain	0000 RESET	0 _{hex}
2/3 high-pass gain	0010	2 _{hex}
1/3 high-pass gain	0100	4 _{hex}
min. high-pass gain	0110	6 _{hex}
automatic	1000	8 _{hex}

There are several spatial effect modes available:

Mode A (low byte = 00_{hex}) is compatible to the formerly used spatial effect. Here, the kind of spatial effect depends on the source mode. If the incoming signal is in mono mode, Pseudo Stereo Effect is active; for stereo signals, Pseudo Stereo Effect and Stereo Basewidth Enlargement is active. The strength of the effect is controllable by the upper byte. A negative value reduces the stereo image. A rather strong spatial effect is recommended for small TV sets where loudspeaker spacing is rather close. For large screen TV sets, a more moderate spatial effect is recommended. In mode A, even in case of stereo input signals, Pseudo Stereo Effect is active, which reduces the center image.

In Mode B, only Stereo Basewidth Enlargement is effective. For mono input signals, the Pseudo Stereo Effect has to be switched on.

It is worth mentioning, that all spatial effects affect amplitude and phase response. With the lower 4 bits, the frequency response can be customized. A value of 0000_{bin} yields a flat response for center signals (L = R) but a high pass function of L or R only signals. A value of 0110_{bin} has a flat response for L or R only signals but a low-pass function for center signals. By using 1000_{bin}, the frequency response is automatically adapted to the sound material by choosing an optimal high-pass gain.

7.3.7. Volume – SCART1 and SCART2 Channel

Volume Mode SCART1	0007_{hex}	[3...0]
Volume Mode SCART2	0040_{hex}	[3...0]
linear	0000 RESET	0 _{hex}
logarithmic	0001	1 _{hex}

Linear Mode		
Volume SCART1	0007_{hex}	H
Volume SCART2	0040_{hex}	H
OFF	0000 0000 RESET	00 _{hex}
0 dB gain (digital full scale (FS) to 2 V _{RMS} output)	0100 0000	40 _{hex}
+6 dB gain (-6 dBFS to 2 V _{RMS} output)	0111 1111	7F _{hex}

Logarithmic Mode		
Volume SCART1	0007_{hex}	[15...4]
Volume SCART2	0040_{hex}	[15...4]
+12 dB	0111 1111 0000	7F0 _{hex}
+11.875 dB	0111 1110 1110	7EE _{hex}
+0.125 dB	0111 0011 0010	732 _{hex}
0 dB	0111 0011 0000	730 _{hex}
-0.125 dB	0111 0010 1110	72E _{hex}
-113.875 dB	0000 0001 0010	012 _{hex}
-114 dB	0000 0001 0000	010 _{hex}
Mute	0000 0000 0000 RESET	000 _{hex}

7.3.8. Channel Source Modes

Loudspeaker Source	0008_{hex}	H
Headphone Source	0009_{hex}	H
SCART1 Source	000A_{hex}	H
SCART2 Source	0041_{hex}	H
I²S Source	000B_{hex}	H
Quasi-Peak Detector Source	000C_{hex}	H
FM/AM	0000 0000 RESET	00 _{hex}
NICAM	0000 0001	01 _{hex}
none (MSPB/C: SBUS12)	0000 0011	03 _{hex}
none (MSPB/C: SBUS34)	0000 0100	04 _{hex}
SCART	0000 0010	02 _{hex}
I ² S1	0000 0101	05 _{hex}
I ² S2	0000 0110	06 _{hex}

7.3.9. Channel Matrix Modes

Loudspeaker Matrix	0008_{hex}	L
Headphone Matrix	0009_{hex}	L
SCART1 Matrix	000A_{hex}	L
SCART2 Matrix	0041_{hex}	L
I²S Matrix	000B_{hex}	L
Quasi-Peak Detector Matrix	000C_{hex}	L
SOUNDA / LEFT / MSP-IF-CHANNEL2	0000 0000 RESET	00 _{hex}
SOUNDB / RIGHT / MSP-IF-CHANNEL1	0001 0000	10 _{hex}
STEREO	0010 0000	20 _{hex}
MONO	0011 0000	30 _{hex}
SUM / DIFF	0100 0000	40 _{hex}
AB_XCHANGE	0101 0000	50 _{hex}
PHASE_CHANGE_B	0110 0000	60 _{hex}
PHASE_CHANGE_A	0111 0000	70 _{hex}
A_ONLY	1000 0000	80 _{hex}
B_ONLY	1001 0000	90 _{hex}

The sum/difference mode can be used together with the quasi-peak detector to determine the sound material mode. If the difference signal on channel B (right) is near to zero, and the sum signal on channel A (left) is high, the incoming audio signal is mono. If there is a significant level on the difference signal, the incoming audio is stereo.

7.3.10. SCART Prescale

Volume Prescale SCART	000D_{hex}	H
OFF	0000 0000 RESET	00 _{hex}
0 dB gain (2 V _{RMS} input to digital full scale)	0001 1001	19 _{hex}
+14 dB gain (400 mV _{RMS} input to digital full scale)	0111 1111	7F _{hex}

7.3.11. FM/AM Prescale

Volume Prescale FM (Normal FM Mode)	000E _{hex}	H
OFF	0000 0000 RESET	00 _{hex}
Maximum Volume (28 kHz deviation ¹⁾ recommended FIR-bandwidth: 130 kHz)	0111 1111	7F _{hex}
Deviation 50 kHz ¹⁾ recommended FIR-bandwidth: 200 kHz	0100 1000	48 _{hex}
Deviation 75 kHz ¹⁾ recommended FIR-bandwidth: 200 or 280 kHz	0011 0000	30 _{hex}
Deviation 150 kHz ¹⁾ recommended FIR-bandwidth: 380 kHz	0001 1000	18 _{hex}
Maximum deviation 192 kHz ¹⁾ recommended FIR-bandwidth: 380 kHz	0001 0011	13 _{hex}
Prescale for adaptive deemphasis WP1 recommended FIR-bandwidth: 130 kHz	0001 0000	10 _{hex}
Volume Prescale FM (High Deviation Mode)	000E _{hex}	H
OFF	0000 0000 RESET	00 _{hex}
Deviation 150 kHz ¹⁾ recommended FIR-bandwidth: 380 kHz	0011 0000	30 _{hex}
Maximum deviation 384 kHz ¹⁾ recommended FIR-bandwidth: 500 kHz	0001 0100	14 _{hex}
Volume Prescale AM	000E _{hex}	H
OFF	0000 0000 RESET	00 _{hex}
SIF input level: 0.1 V _{pp} – 0.8 V _{pp} ^{1) 2)} 0.8 V _{pp} – 1.4 V _{pp} ¹⁾	0111 1100	7C _{hex} <7C _{hex}
Note: For AM, the bit MODE_REG[15] must be 1		

For the **High Deviation Mode**, the FM prescaling values can be used in the range from 14_{hex} to 30_{hex}. Please consider the internal reduction of 6 dB for this mode. The FIR-bandwidth should be selected to 500 kHz.

1) Given deviations will result in internal digital full-scale signals. Appropriate clipping headroom has to be set by the customer. This can be done by decreasing the listed values by a specific factor.

2) In the mentioned SIF-level range, the AM-output level remains stable and independent of the actual SIF-level. In this case, only the AM degree of audio signals above 40 Hz determines the AM-output level.

7.3.12. FM Matrix Modes (see also Table 4–1)

FM Matrix	000E _{hex}	L
NO MATRIX	0000 0000 RESET	00 _{hex}
GSTEREO	0000 0001	01 _{hex}
KSTEREO	0000 0010	02 _{hex}

NO_MATRIX is used for terrestrial mono or satellite stereo sound. GSTEREO dematrixes [(L+R)/2, R] to [L, R] and is used for German dual carrier stereo system (Standard B/G). KSTEREO dematrixes [(L+R)/2, (L–R)/2] to [L, R] and is used for the Korean dual carrier stereo system (Standard M).

7.3.13. FM Fixed Deemphasis

Deemphasis FM	000F _{hex}	H
50 μs	0000 0000 RESET	00 _{hex}
75 μs	0000 0001	01 _{hex}
J17	0000 0100	04 _{hex}
OFF	0011 1111	3F _{hex}

7.3.14. FM Adaptive Deemphasis

FM Adaptive Deemphasis WP1	000F _{hex}	L
OFF	0000 0000 RESET	00 _{hex}
WP1	0011 1111	3F _{hex}

7.3.15. NICAM Prescale

Volume Prescale NICAM	0010 _{hex}	H
OFF	0000 0000 RESET	00 _{hex}
0 dB gain	0010 0000	20 _{hex}
+12 dB gain	0111 1111	7F _{hex}

7.3.16. NICAM Deemphasis

A J17 Deemphasis is always applied to the NICAM signal. It is not switchable.

7.3.17. I²S1 and I²S2 Prescale

Prescale I ² S1	0016 _{hex}	H
Prescale I ² S2	0012 _{hex}	H
OFF	0000 0000	00 _{hex}
0 dB gain	0001 0000 RESET	10 _{hex}
+18 dB gain	0111 1111	7F _{hex}

7.3.18. ACB Register

Definition of Digital Control Output Pins

ACB Register	0013 _{hex}	[15..14]
D_CTR_OUT0 low (RESET) high	x0 x1	
D_CTR_OUT1 low (RESET) high	0x 1x	

Definition of SCART Switching Facilities

(see Fig. 4–3 on page 13)

ACB Register	0013 _{hex}	[13...0]
DSP IN Selection of Source: * SC1_IN_L/R MONO_IN SC2_IN_L/R SC3_IN_L/R SC4_IN_L/R Mute		xx xx00 xx00 0000 xx xx01 xx00 0000 xx xx10 xx00 0000 xx xx11 xx00 0000 xx xx00 xx10 0000 xx xx11 xx10 0000
SC1_OUT_L/R Selection of Source: * SC3_IN_L/R SC2_IN_L/R MONO_IN SCART1_L/R via D/A SCART2_L/R via D/A SC1_IN_L/R SC4_IN_L/R Mute		xx 00xx x0x0 0000 xx 01xx x0x0 0000 xx 10xx x0x0 0000 xx 11xx x0x0 0000 xx 00xx x1x0 0000 xx 01xx x1x0 0000 xx 10xx x1x0 0000 xx 11xx x1x0 0000
SC2_OUT_L/R Selection of Source: * SCART1_L/R via D/A SC1_IN_L/R MONO_IN SCART2_L/R via D/A SC2_IN_L/R SC3_IN_L/R SC4_IN_L/R Mute		00 xxxx 0xx0 0000 01 xxxx 0xx0 0000 10 xxxx 0xx0 0000 00 xxxx 1xx0 0000 01 xxxx 1xx0 0000 10 xxxx 1xx0 0000 11 xxxx 1xx0 0000 11 xxxx 0xx0 0000
* = RESET position, which becomes active at the time of the first write transmission on the control bus to the audio processing part (DSP). By writing to the ACB register first, the RESET state can be redefined.		

Note: If “MONO_IN” is selected at the DSP_IN selection, the channel matrix mode of the corresponding output channel(s) must be set to “sound A”.

7.3.19. Beeper

Beeper Volume	0014 _{hex}	H
OFF	0000 0000 RESET	00 _{hex}
Maximum Volume (full digital scale FDS)	0111 1111	7F _{hex}
Beeper Frequency	0014 _{hex}	L
16 Hz (lowest)	0000 0001	01 _{hex}
1 kHz	0100 0000	40 _{hex}
4 kHz (highest)	1111 1111	FF _{hex}

A square wave beeper can be added to the loudspeaker channel and the headphone channel. The addition point is just before loudness and volume adjustment.

7.3.20. Identification Mode

Identification Mode	0015 _{hex}	L
Standard B/G (German Stereo)	0000 0000 RESET	00 _{hex}
Standard M (Korean Stereo)	0000 0001	01 _{hex}
Reset of Ident-Filter	0011 1111	3F _{hex}

To shorten the response time of the identification algorithm after a program change between two FM-Stereo capable programs, the reset of the ident-filter can be applied.

Sequence:

1. Program change
2. Reset ident-filter
3. Set identification mode back to standard B/G or M
4. Read stereo detection register

7.3.21. FM DC Notch

The DC compensation filter (FM DC Notch) for FM input can be switched off. This is used to speed up the automatic search function (see section 6.8.5. on page 35). In normal FM mode, the FM DC Notch should be switched on.

FM DC Notch	0017 _{hex}	L
ON	0000 0000 Reset	00 _{hex}
OFF	0011 1111	3F _{hex}

7.3.22. Mode Tone Control

Mode Tone Control	0020 _{hex}	H
Bass and Treble	0000 0000 RESET	00 _{hex}
Equalizer	1111 1111	FF _{hex}

By means of 'Mode Tone Control', Bass/Treble or Equalizer may be activated.

7.3.23. Automatic Volume Correction (AVC)

AVC	On/Off	0029 _{hex}	[15...12]
AVC	off and Reset of int. variables	0000 RESET	0 _{hex}
AVC	on	1000	8 _{hex}
AVC	Decay Time	0029 _{hex}	[11...8]
8 sec.	(long)	1000	8 _{hex}
4 sec.	(middle)	0100	4 _{hex}
2 sec.	(short)	0010	2 _{hex}
20 ms	(very short)	0001	1 _{hex}

Different sound sources (e.g. terrestrial channels, SAT channels, or SCART) fairly often do not have the same volume level. Advertisement during movies, as well, usually has a different (higher) volume level than the movie itself. The Automatic Volume Correction (AVC) solves this problem and equalizes the volume levels.

The absolute value of the incoming signal is fed into a filter with 16 ms attack time and selectable decay time. The decay time must be adjusted as shown in the table above. This attack/decay filter block works similar to a peak hold function. The volume correction value with its quasi continuous step width is calculated using the attack/decay filter output.

The Automatic Volume Correction functions with an internal reference level of -18 dBr. This means that input signals with a volume level of -18 dBr will not be affected by the AVC. If the input signals vary in a range of -24 dB to 0 dB, the AVC maintains a fixed output level of -18 dBr.

Fig. 7-1 shows the AVC output level versus its input level. For prescale and volume registers set to 0 dB, a level of 0 dBr corresponds to full scale input / output. This is

- SCART in-, output 0 dBr = 2.0 V_{rms}
- Loudspeaker and Aux output 0 dBr = 1.4 V_{rms}

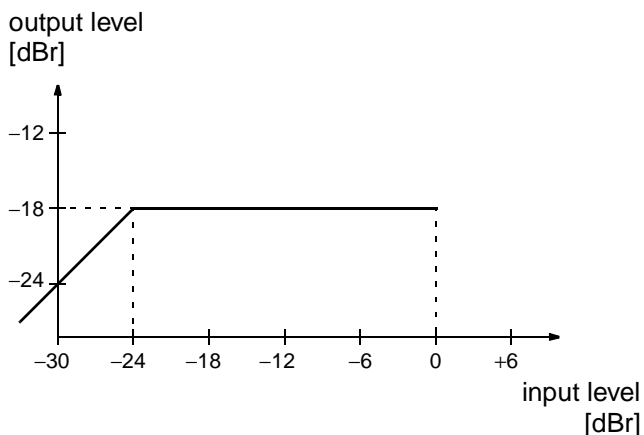


Fig. 7-1: Simplified AVC characteristics

To reset the internal variables, the AVC should be switched off and on during any channel or source change. For standard applications, the recommended decay time is 4 sec.

Note: AVC should not be used in any Dolby Pro Logic mode, except PANORAMA, where no other than the loudspeaker output is active.

7.3.24. Subwoofer Channel

The subwoofer channel is created by combining the left and right channels directly behind the tone control filter block. A third order low-pass filter with programmable corner frequency and volume adjustment according to the main channel output is performed to the bass signal. Additionally, at the loudspeaker channels, a complementary high-pass filter can be switched on.

Subwoofer Channel Volume Adjust	002C_{hex}	H
0 dB	0000 0000 RESET	00 _{hex}
-1 dB	1111 1111	FF _{hex}
-29 dB	1110 0011	E3 _{hex}
-30 dB	1110 0010	E2 _{hex}
Mute	1000 0000	80 _{hex}
Subwoofer Channel Corner Frequency	002D_{hex}	H
50 Hz ... 400 Hz e.g. 50 Hz = 5 _{dec} 400 Hz = 40 _{dec}	RESET 0000 0101 0010 1000	00 _{hex} 05 _{hex} 28 _{hex}
Subwoofer: Complementary High-pass	002D_{hex}	L
HP off	0000 0000 RESET	00 _{hex}
HP on	0000 0001	01 _{hex}

7.3.25. Equalizer Loudspeaker Channel

Band 1 (below 120 Hz)	0021 _{hex}	H
Band 2 (Center: 500 Hz)	0022 _{hex}	H
Band 3 (Center: 1.5 kHz)	0023 _{hex}	H
Band 4 (Center: 5 kHz)	0024 _{hex}	H
Band 5 (above 10 kHz)	0025 _{hex}	H
+12 dB	0110 0000	60 _{hex}
+11 dB	0101 1000	58 _{hex}
+1 dB	0000 1000	08 _{hex}
+1/8 dB	0000 0001	01 _{hex}
0 dB	0000 0000 RESET	00 _{hex}
-1/8 dB	1111 1111	FF _{hex}
-1 dB	1111 1000	F8 _{hex}
-11dB	1010 1000	A8 _{hex}
-12 dB	1010 0000	A0 _{hex}

With positive equalizer settings, internal overflow may occur even with overall volume less than 0 dB. This will lead to a clipped output signal. Therefore, it is not recommended to set equalizer bands to a value that, in conjunction with volume, would result in an overall positive gain.

Equalizer must not be used simultaneously with Bass and Treble (Mode Tone Control must be set to FF to use the Equalizer). If Bass and Treble are used, Equalizer coefficients must be set to zero.

7.4. Exclusions for the Audio Baseband Features

In general, all functions can be switched independently of the others. Exceptions:

1. NICAM cannot be processed simultaneously with the FM2 channel.
2. FM adaptive deemphasis WPI cannot be processed simultaneously with the FM-identification.

7.5. Phase Relationship of Analog Outputs

The analog output signals: Loudspeaker, headphone, and SCART2 all have the same phases. The user does not need to change output phases when using these analog outputs directly. The SCART1 output has opposite phase.

Using the I²S-outputs for other DSPs or D/A converters, care must be taken to adjust for the correct phase. If the attached coprocessor is one of the MSP family, the following schematics help to determine the phase relationship.

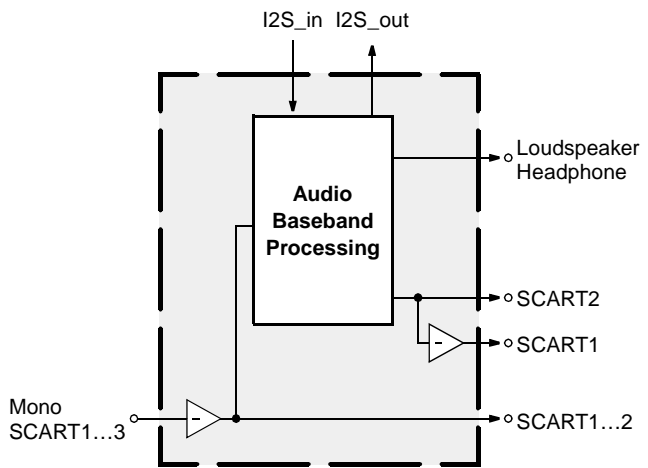


Fig. 7-2: Phase diagram of the MSP 34x0D

7.6. DSP Read Registers: Functions and Values

All readable registers are 16-bit wide. Transmissions via I²C bus have to take place in 16-bit words. Single data entries are 8 bit. Some of the defined 16-bit words are divided into low and high byte, thus holding two different control entities.

These registers are not writable.

7.6.1. Stereo Detection Register

Stereo Detection Register	0018 _{hex}	H
Stereo Mode	Reading (two's complement)	
MONO	near zero	
STEREO	positive value (ideal reception: 7F _{hex})	
BILINGUAL	negative value (ideal reception: 80 _{hex})	

7.6.2. Quasi-Peak Detector

Quasi-Peak Readout Left	0019_{hex}	H+L
Quasi-Peak Readout Right	001A_{hex}	H+L
Quasi peak readout	[0000 _{hex} ... 7FFF _{hex}] values are 16 bit two's complement	

The quasi peak readout register can be used to read out the quasi peak level of any input source, in order to adjust all inputs to the same normal listening level. The refresh rate is 32 kHz. The feature is based on the filter time constants:

attack time: 1.3 ms
decay time: 37 ms

7.6.3. DC Level Register

DC Level Readout FM1 (MSP-Ch2)	001B_{hex}	H+L
DC Level Readout FM2 (MSP-Ch1)	001C_{hex}	H+L
DC Level	[8000 _{hex} ... 7FFF _{hex}] values are 16 bit two's complement	

The DC level register measures the DC component of the incoming FM signals (FM1 and FM2). This can be used for seek functions in satellite receivers and for IF FM frequencies fine tuning. A too low demodulation frequency (DCO) results in a positive DC-level and vice-versa. For further processing, the DC content of the demodulated FM signals is suppressed. The time constant τ , defining the transition time of the DC Level Register, is approximately 28 ms.

7.6.4. MSP Hardware Version Code

Hardware Version	001E_{hex}	H
Hardware Version	[00 _{hex} ... FF _{hex}]	
MSP 34x0D – B4	02 _{hex}	

A change in the hardware version code defines hardware optimizations that may have influence on the chip's behavior. The readout of this register is identical to the hardware version code in the chip's imprint.

7.6.5. MSP Major Revision Code

Major Revision	001E_{hex}	L
MSP 34x0D	04 _{hex}	

The MSP 34x0D is the fourth generation of ICs in the MSP family.

7.6.6. MSP Product Code

Product	001F_{hex}	H
MSP 3400D	0000 0000	00 _{hex}
MSP 3410D	0000 1010	0A _{hex}

By means of the MSP product code, the control processor is able to decide whether or not NICAM-controlling should be accomplished.

7.6.7. MSP ROM Version Code

ROM Version	001F_{hex}	L
Major software revision	[00 _{hex} ... FF _{hex}]	
MSP 34x0D – B4	0010 0100	24 _{hex}

A change in the ROM version code defines internal software optimizations, that may have influence on the chip's behavior, e.g. new features may have been included. While a software change is intended to create no compatibility problems, customers that would like to use the new functions, can identify new MSP 34x0D versions according to this number. To avoid compatibility problems with MSP 34x0B, an offset of 20_{hex} is added to the ROM version code of the chip's imprint.

8. Differences between MSP 3400C, MSP 3400D, MSP 3410B, and MSP 3410D

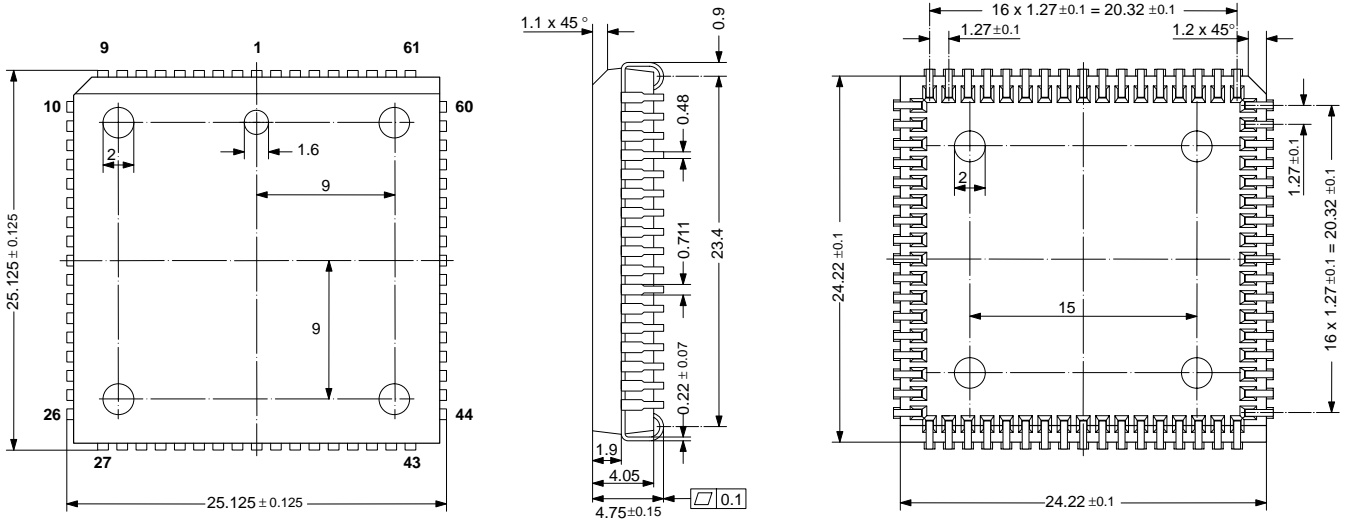
Feature	MSP 3400C	MSP 3400D-B4	MSP 3410B-F7	MSP 3410D-B4
Hardware				
NICAM	No	No	Yes	Yes
S-Bus Output	No	No	S_DA_OUT	No
S-Bus Input	S_DA_IN	No	S_DA_IN	No
Second I ² S Data Input	I2S_DA_IN2	I2S_DA_IN2	No	I2S_DA_IN2
ADR Interface	ADR_CL, ADR_WS, ADR_DA	ADR_CL, ADR_WS, ADR_DA	No	ADR_CL, ADR_WS, ADR_DA
Second SCART D/A Converter	No	Yes	No	Yes
Demodulator				
Demodulator Short Programming	No	Yes	No	Yes
Autodetection for terr. TV Sound Standards	No	Yes	No	Yes
Automatic switching from NICAM to FM and vv.	No	Yes	No	Yes
ADCV[10] Carrier Mute Level	Carrier Mute Level	not used	FIFO Watchdog On/Off	not used
ADCV[11] Carrier Mute Level	Carrier Mute Level	not used	not used	not used
MODE_REG[1]: Tri-state digital outputs	0: active 1: tri-state	0: active 1: tri-state	enable Pay-TV	0: active 1: tri-state
MODE_REG[2]: Tri-state digital outputs I ² S outputs	0: active 1: tri-state	0: active 1: tri-state	disable NICAM Descrambler	0: active 1: tri-state
MODE_REG[6]: NICAM	no function	no function	0: FM 1: NICAM	0: FM 1: NICAM
MODE_REG[7]: FM1FM2	no function	no function	0: NICAM 1: FM	no function
MODE_REG[10]: S-Bus Setting	no function	no function	NICAM/FM on S-Bus	no function
MODE_REG[11]: S-Bus Mode	no function	no function	Mode of internal S-Bus	no function
MODE_REG[12]: 6 dB gain in MSP-Ch1	0: on 1: off	0: on 1: off	always on	0: on 1: off
MODE_REG[13]: FIR filter coeff. set for MSP-Ch1	0: use FIR1 1: use FIR2	0: use FIR1 1: use FIR2	always FIR1	0: use FIR1 1: use FIR2
MODE_REG[14] Mode of ADR Interface	0: normal mode 1: ADR/SaRa	0: normal mode 1: ADR/SaRa	No	0: normal mode 1: ADR/SaRa

Feature	MSP 3400C	MSP 3400D–B4	MSP 3410B–F7	MSP 3410D–B4
Demodulator				
MODE_REG[15]: Gain for AM-Demodulation	0: 0 dB ¹⁾ 1: 12 dB	0: 0 dB 1: 12 dB	No	0: 0 dB 1: 12 dB
FAWCT_SOLL (DEMOM W Addr. 107 _{hex})	Not necessary	Not necessary	Yes	Not necessary
FAWCT_ER_TOL (DEMOM W Addr. 10F _{hex})	Not necessary	Not necessary	Yes	Not necessary
AUDIO_PLL (DEMOM W Addr. 2D7 _{hex})	Not necessary	Not necessary	Yes	Not necessary
LOAD_REG_1/2 (DEMOM W Addr. 56 _{hex})	Not necessary	Not necessary	Yes	Not necessary
LOAD_REG_1 (DEMOM W Addr. 60 _{hex})	Not necessary	Not necessary	Yes	Not necessary
SEARCH_NICAM (DEMOM W Addr. 78 _{hex})	No	Not necessary	Yes	Not necessary
SELF_TEST (DEMOM W Addr. 792 _{hex})	No	not compatible, not for customer use,	values as described in Mubi-Software	not compatible, not for customer use,
FAWCT_IST (DEMOM R Addr. 25 _{hex})	No	No	Yes	Yes, but not necessary
CONC_CT (DEMOM R Addr. 58 _{hex})	No	No	Yes	Yes, but not recommended
ERROR_RATE (DEMOM R Addr. 57 _{hex})	No	No	No	Yes
Reading out RMS value of AGC	I ² C Addr. 001E _{hex}	I ² C Addr. 021E _{hex}	not possible	I ² C Addr. 021E _{hex}
Reading out internal PLL capacitance switches	I ² C Addr. 001F _{hex}	I ² C Addr. 021F _{hex}	not possible	I ² C Addr. 021F _{hex}
Audio Baseband Processing				
Improved oversampling filters for all D/A converters	Yes	Yes	No	Yes
Mode Loudness Loudspeaker channel (DSP W Addr. 0004 _{hex} L)	00 _{hex} : normal 04 _{hex} : Super Bass	00 _{hex} : normal 04 _{hex} : Super Bass	00 _{hex} : normal 04 _{hex} : Super Version ≥ F7	00 _{hex} : normal 04 _{hex} : Super Bass
Spatial Effect Loudspeaker (DSP W Addr. 05 _{hex} L)	Mode/ Customize	Mode/ Customize	always 0	Mode/ Customize
Prescale I ² S2 (DSP W Addr. 0012 _{hex} H)	Yes ¹⁾	Yes	No	Yes
Prescale I ² S1 (DSP W Addr. 0016 _{hex} H)	Yes ¹⁾	Yes	No	Yes
FM DC Notch switchable (DSP W Addr. 0017 _{hex})	Yes	Yes	No	Yes
Mode Tone Control Loudspeaker channel (DSP W Addr. 0020 _{hex} H)	00 _{hex} : Bass/ Treble FF _{hex} : Equalizer	00 _{hex} : Bass/ Treble FF _{hex} : Equalizer	always Bass/ Treble	00 _{hex} : Bass/ Treble FF _{hex} : Equalizer
5 Band Equalizer (DSP W Addr. 0021 _{hex} – 0025 _{hex})	[+12 ...–12 dB]	[+12 ...–12 dB]	not implemented	[+12 ...–12 dB]
Balance Headphone channel (DSP W Addr. 0030 _{hex} H)	Yes ¹⁾	Yes	No	Yes
¹⁾ This feature will be implemented in MSP 3400C from version C7 on.				

Feature	MSP 3400C	MSP 3400D-B4	MSP 3410B-F7	MSP 3410D-B4
Audio Baseband Processing				
Bass for Loudspeaker and Headphone chan. (DSP W Addr. 0002/0031 _{hex} H)	Yes ¹⁾ [+20 ...-12 dB]	Yes [+20 ...-12 dB]	No	Yes [+20 ...-12 dB]
Treble for Loudspeaker and Headphone chan. (DSP W Addr. 0003/0032 _{hex} H)	Yes ¹⁾ [+15 ...-12 dB]	Yes [+15 ...-12 dB]	No	Yes [+15 ...-12 dB]
Loudness Headphone channel (DSP W Addr. 0033 _{hex} H)	Yes ¹⁾	Yes	No	Yes
Mode Loudness Headphone channel (DSP W Addr. 0033 _{hex} L)	00 _{hex} : normal 04 _{hex} : Super Bass ¹⁾	00 _{hex} : normal 04 _{hex} : Super Bass	No	00 _{hex} : normal 04 _{hex} : Super Bass
SCART1/2 Volume in dB (DSP W Addr. 0007/0040 _{hex} H)	Yes ¹⁾ (SCART1)	Yes	No	Yes
Scart 2 Volume (DSP W Addr. 0040 _{hex} H)	No	Yes	No	Yes
Scart 2 Source (DSP W Addr. 0041 _{hex} H)	No	Yes	No	Yes
Scart 2 Matrix (DSP W Addr. 0041 _{hex} L)	No	Yes	No	Yes
Full SCART I/O Matrix without restrictions	No	Yes	No	Yes
Balance of loudspeaker and headphone channels in dB units (DSP W Addr. 0016/0012 _{hex})	Yes ¹⁾	Yes	No	Yes
Subwoofer output	No	Yes	No	Yes
Automatic Volume Correction (AVC)	No	Yes	No	Yes
¹⁾ This feature will be implemented in MSP 3400C from version C7 on.				

9. Specifications

9.1. Outline Dimensions



SPGS7004-3/5E

Fig. 9-1:
 68-Pin Plastic Leaded Chip Carrier Package
(PLCC68)
 Weight approximately 4.8 g
 Dimensions in mm

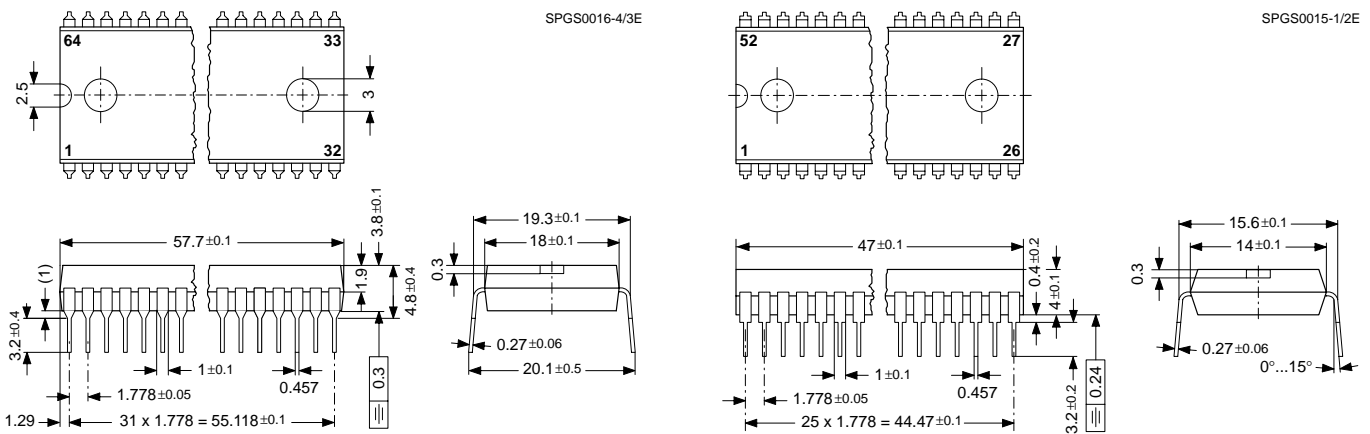
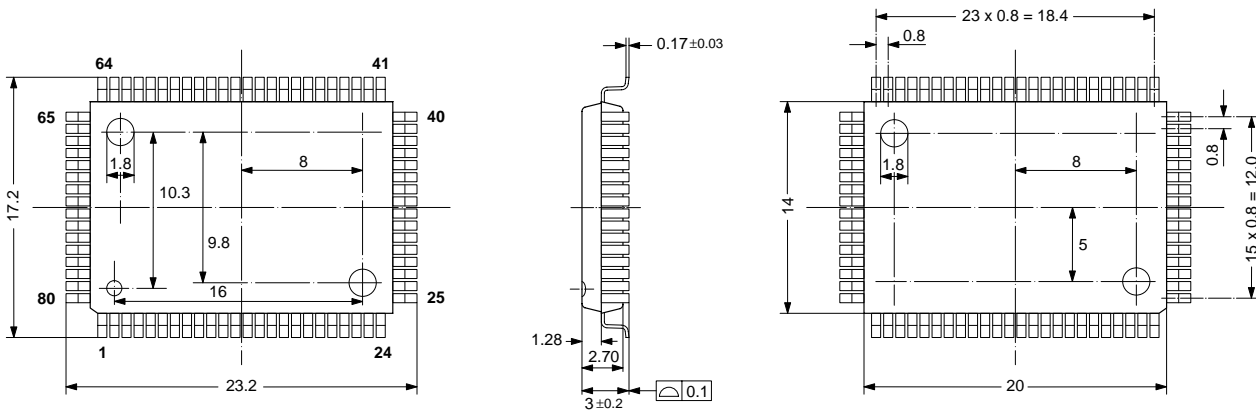


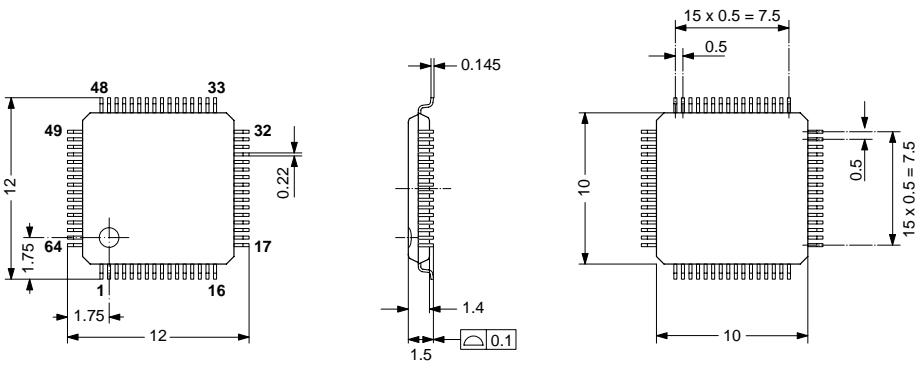
Fig. 9-2:
 64-Pin Plastic Shrink Dual Inline Package
(PSDIP64)
 Weight approximately 9.0 g
 Dimensions in mm

Fig. 9-3:
 52-Pin Plastic Shrink Dual Inline Package
(PSDIP52)
 Weight approximately 5.5 g
 Dimensions in mm



SPGS0025-1/1E

Fig. 9-4:
80-Pin Plastic Quad Flat Pack
(PQFP80)
 Weight approximately 1.61 g
 Dimensions in mm



D0025/2E

Fig. 9-5:
64-Pin Plastic Low-Profile Quad Flat Pack
(PLQFP64)
 Weight approximately 0.35 g
 Dimensions in mm

9.2. Pin Connections and Short Descriptions

NC = not connected (**leave vacant** for future compatibility reasons)

TP = Test Pin (**leave vacant**; pin is used for production test only)

LV = leave vacant

X = obligatory; connect as described in application circuit diagram

Pin No.	Pin Name	Type	Connection (if not used)	Short Description
1	ADR_WS	OUT	LV	ADR word strobe
2	NC		LV	Not connected
3	ADR_DA	OUT	LV	ADR data output
4	I2S_DA_IN1	IN	LV	I ² S1 data input
5	I2S_DA_OUT	OUT	LV	I ² S data output
6	I2S_WS	IN/OUT	LV	I ² S word strobe
7	I2S_CL	IN/OUT	LV	I ² S clock
8	I2C_DA	IN/OUT	X	I ² C data
9	I2C_CL	IN/OUT	X	I ² C clock
10	NC		LV	Not connected
11	STANDBYQ	IN	X	Standby (low-active)
12	ADR_SEL	IN	X	I ² C Bus address select
13	D_CTR_OUT0	OUT	LV	Digital control output 0
14	D_CTR_OUT1	OUT	LV	Digital control output 1
15	NC		LV	Not connected
16	NC		LV	Not connected
17	NC		LV	Not connected
18	AUD_CL_OUT	OUT	LV	Audio clock output (18.432 MHz)
19	TP		LV	Test pin
20	XTAL_OUT	OUT	X	Crystal oscillator
21	XTAL_IN	IN	X	Crystal oscillator
22	TESTEN	IN	X	Test pin
23	ANA_IN2+	IN	AVSS via 56 pF / LV	IF input 2 (can be left vacant only if IF input1 is also not in use)
24	ANA_IN-	IN	AVSS via 56 pF / LV	IF common (can be left vacant only if IF input1 is also not in use)
25	ANA_IN1+	IN	LV	IF input 1

Pin No.					Pin Name	Type	Connection (if not used)	Short Description
PLCC 68-pin	PSDIP 64-pin	PSDIP 52-pin	PQFP 80-pin	PLQFP 64-pin				
26	57	46	66	49	AVSUP		X	Analog power supply 5V
–	–	–	65	–	AVSUP		X	Analog power supply 5V
–	–	–	64	–	NC		LV	Not connected
–	–	–	63	–	NC		LV	Not connected
27	56	45	62	48	AVSS		X	Analog ground
–	–	–	61	–	AVSS		X	Analog ground
28	55	44	60	47	MONO_IN	IN	LV	Mono input
–	–	–	59	–	NC		LV	Not connected
29	54	43	58	46	VREFTOP		X	Reference voltage IF A/D converter
30	53	42	57	45	SC1_IN_R	IN	LV	SCART 1 input, right
31	52	41	56	44	SC1_IN_L	IN	LV	SCART 1 input, left
32	51	–	55	43	ASG1		AHVSS	Analog Shield Ground 1
33	50	40	54	42	SC2_IN_R	IN	LV	SCART 2 input, right
34	49	39	53	41	SC2_IN_L	IN	LV	SCART 2 input, left
35	48	–	52	40	ASG2		AHVSS	Analog Shield Ground 2
36	47	38	51	39	SC3_IN_R	IN	LV	SCART 3 input, right
37	46	37	50	38	SC3_IN_L	IN	LV	SCART 3 input, left
38	45	–	49	37	ASG4		AHVSS	Analog Shield Ground 4
39	44	–	48	36	SC4_IN_R	IN	LV	SCART 4 input, right
40	43	–	47	35	SC4_IN_L	IN	LV	SCART 4 input, left
41	–	–	46	–	NC		LV or AHVSS	Not connected
42	42	36	45	34	AGNDC		X	Analog reference voltage
43	41	35	44	33	AHVSS		X	Analog ground
–	–	–	43	–	AHVSS		X	Analog ground
–	–	–	42	–	NC		LV	Not connected
–	–	–	41	–	NC		LV	Not connected
44	40	34	40	32	CAPL_M		X	Volume capacitor MAIN
45	39	33	39	31	AHVSSUP		X	Analog power supply 8V
46	38	32	38	30	CAPL_A		X	Volume capacitor AUX
47	37	31	37	29	SC1_OUT_L	OUT	LV	SCART 1 output, left

Pin No.					Pin Name	Type	Connection (if not used)	Short Description
PLCC 68-pin	PSDIP 64-pin	PSDIP 52-pin	PQFP 80-pin	PLQFP 64-pin				
48	36	30	36	28	SC1_OUT_R	OUT	LV	SCART 1 output, right
49	35	29	35	27	VREF1		X	Reference ground 1 high voltage part
50	34	28	34	26	SC2_OUT_L	OUT	LV	SCART 2 output, left
51	33	27	33	25	SC2_OUT_R	OUT	LV	SCART 2 output, right
52	–	–	32	–	NC		LV ¹⁾	Not connected
53	32	–	31	24	NC		LV	Not connected
54	31	26	30	23	DACM_SUB		LV	Subwoofer output
55	30	–	29	22	NC		LV	Not connected
56	29	25	28	21	DACM_L	OUT	LV	Loudspeaker out, left
57	28	24	27	20	DACM_R	OUT	LV	Loudspeaker out, right
58	27	23	26	19	VREF2		X	Reference ground 2
59	26	22	25	18	DACA_L	OUT	LV	Headphone out, left
60	25	21	24	17	DACA_R	OUT	LV	Headphone out, right
–	–	–	23	–	NC		LV	Not connected
–	–	–	22	–	NC		LV	Not connected
61	24	20	21	16	RESETQ	IN	X	Power-on reset
62	23	–	20	15	NC		LV	Not connected
63	22	–	19	14	NC		LV	Not connected
64	21	19	18	13	NC		LV	Not connected
65	20	18	17	12	I ² S_DA_IN2	IN	LV	I ² S2 data input
66	19	17	16	11	DVSS		X	Digital ground
–	–	–	15	–	DVSS		X	Digital ground
–	–	–	14	–	DVSS		X	Digital ground
67	18	16	13	10	DVSUP		X	Digital power supply 5V
–	–	–	12	–	DVSUP		X	Digital power supply 5V
–	–	–	11	–	DVSUP		X	Digital power supply 5V
68	17	15	10	9	ADR_CL	OUT	LV	ADR clock

¹⁾ Due to compatibility with MSP 3410D-B4 and older versions, it is possible to connect with ground as well.

9.3. Pin Configurations

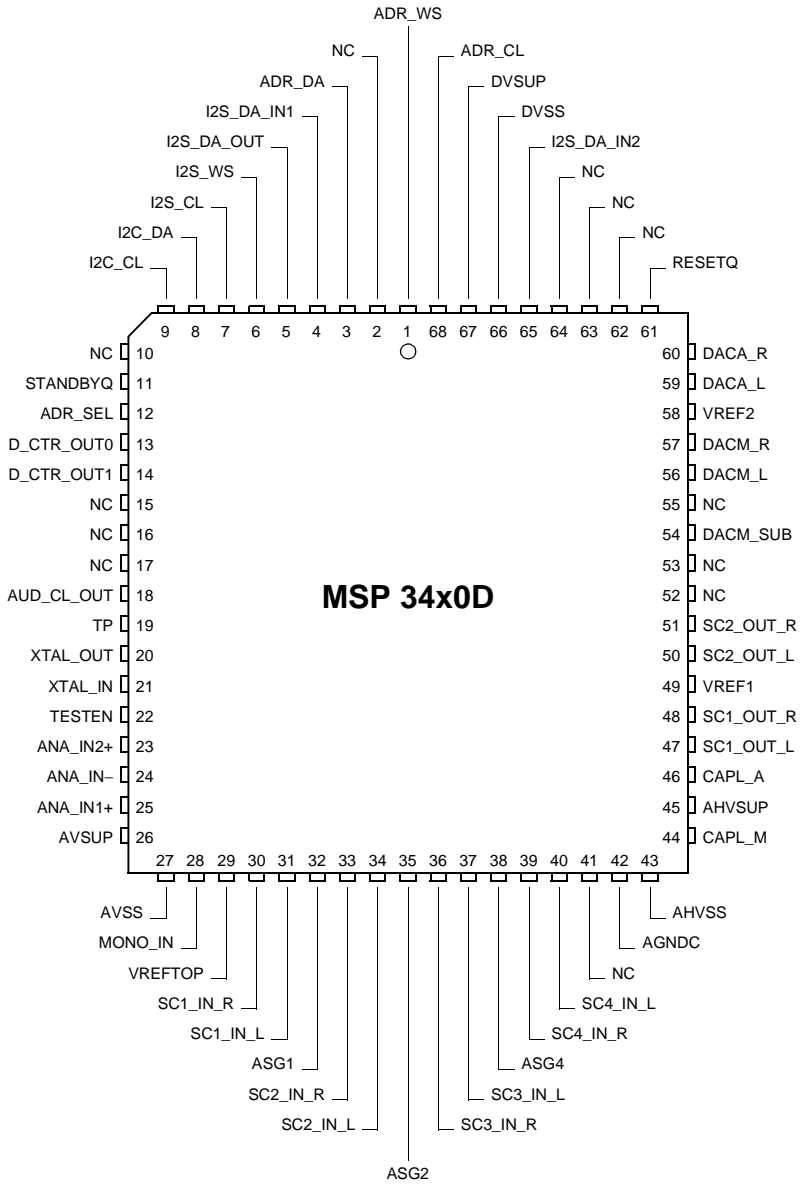


Fig. 9–6: 68-pin PLCC package

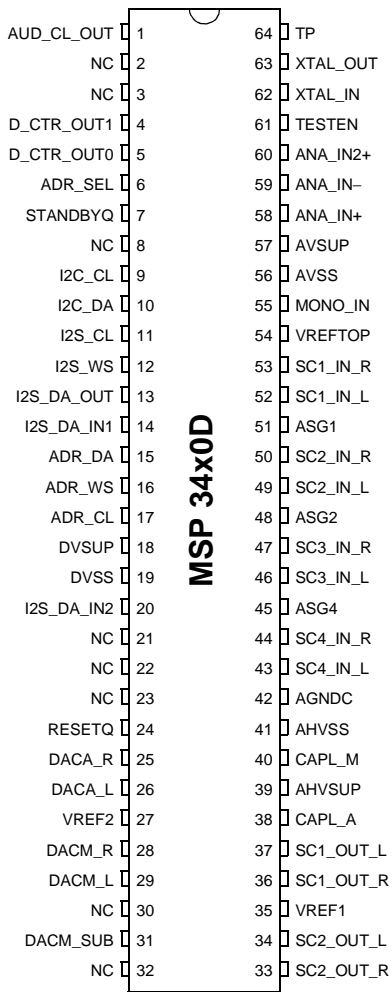


Fig. 9-7: 64-pin PSDIP package

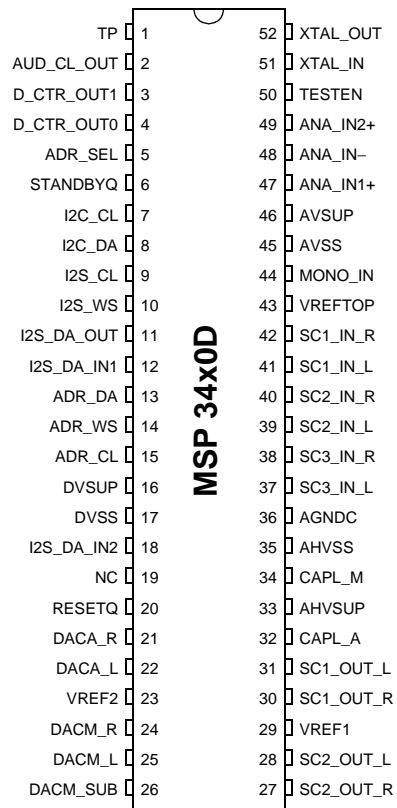


Fig. 9-8: 52-pin PSDIP package

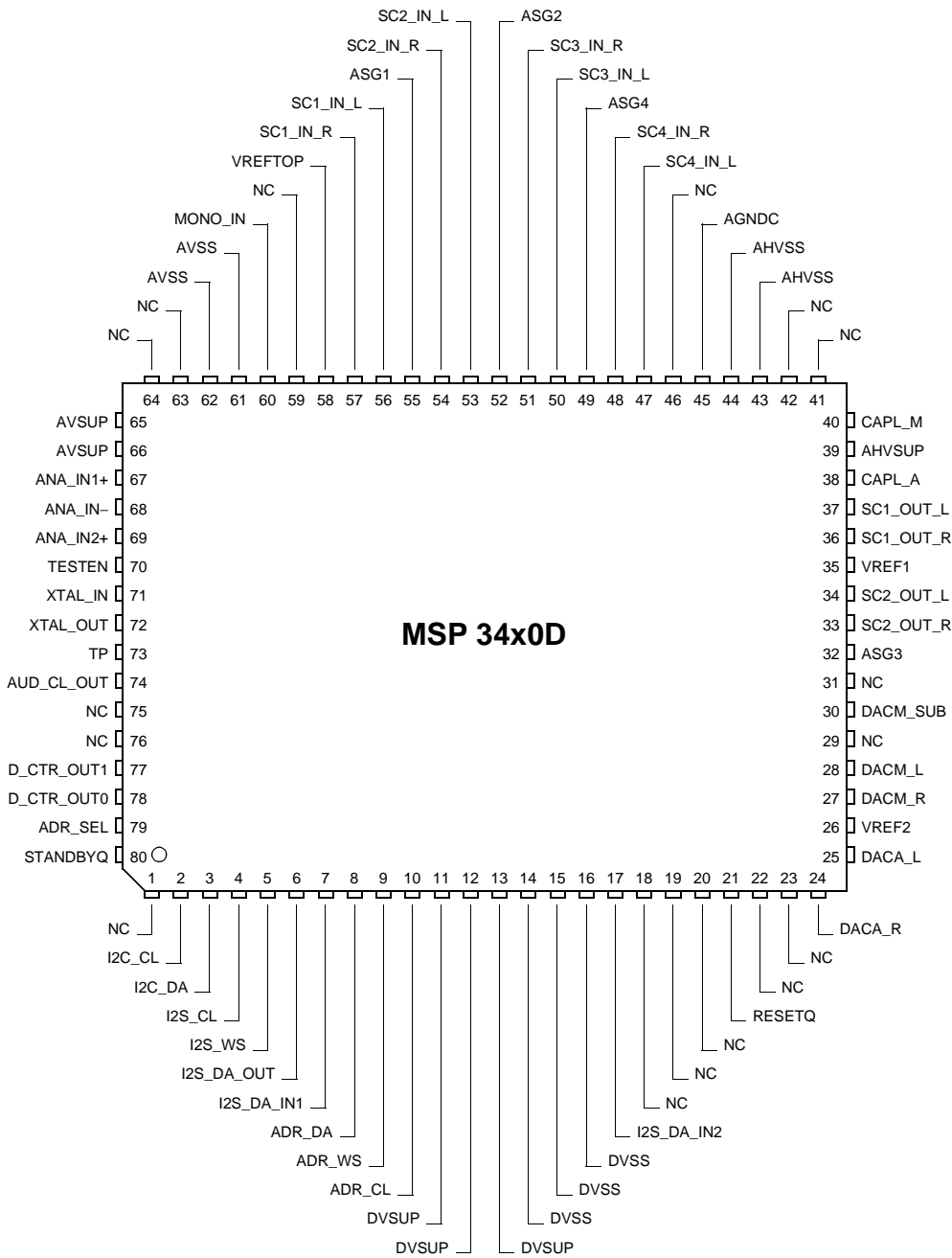


Fig. 9-9: 80-pin PQFP package

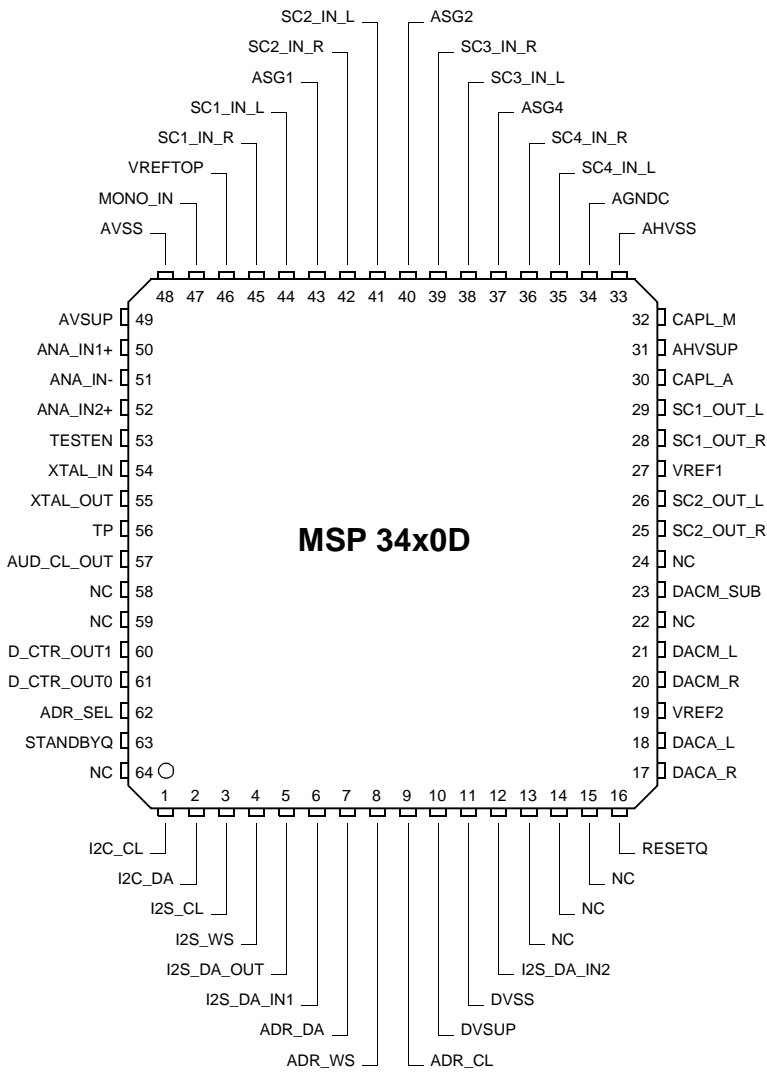


Fig. 9–10: 64-pin PLQFP package

9.4. Pin Circuits (pin numbers refer to PLCC68 package)

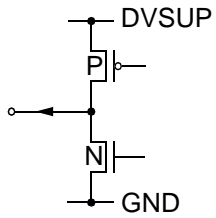


Fig. 9-11: Output Pins 1, 3, 5, 13, 14, and 68 (ADR_WS, ADR_CL, ADR_DA, I2S_DA_OUT, D_CTR_OUT0/1)

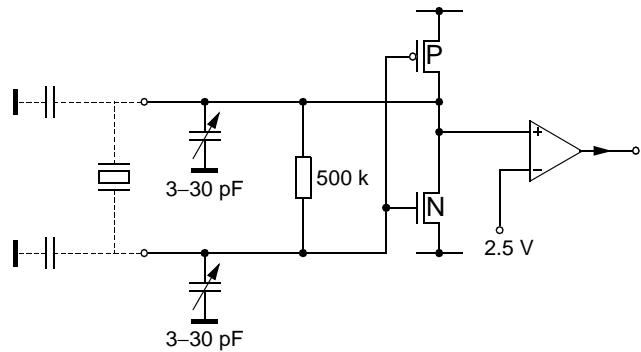


Fig. 9-15: Output/Input Pins 18, 20, and 21 (AUD_CL_OUT, XTALIN/OUT)

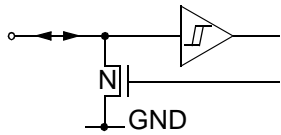


Fig. 9-12: Input/Output Pins 8 and 9 (I2C_DA, I2C_CL)

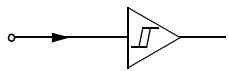


Fig. 9-13: Input Pins 4, 11, 12, 61, 62, and 65 (STANDBYQ, ADR_SEL, RESETQ, TESTEN, I2S_DA_IN1, I2S_DA_IN2)

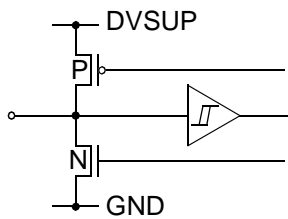


Fig. 9-14: Input/Output Pins 6 and 7 (I2S_WS, I2S_CL)

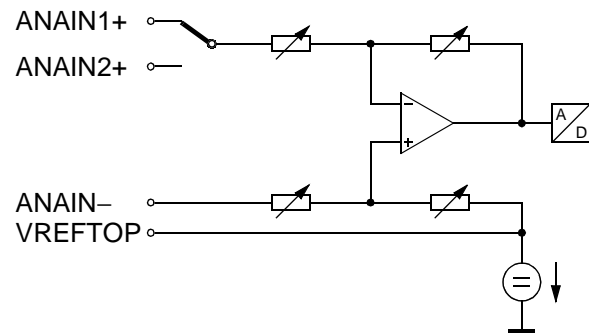


Fig. 9-16: Input Pins 23-25, and 29 (ANA_IN2+, ANA_IN-, ANA_IN1+, VREFTOP)

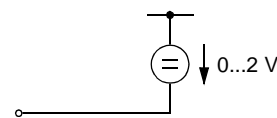


Fig. 9-17: Capacitor Pins 44 and 46 (CAPL_M, CAPL_A)

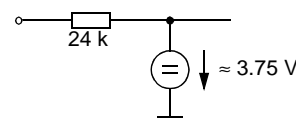


Fig. 9-18: Input Pin 28 (MONO_IN)

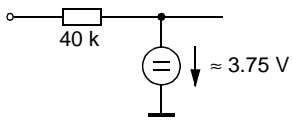


Fig. 9-19: Input Pins 30, 31, 33, 34, 36, 37, 40, and 41 (SC1-4_IN_L/R)

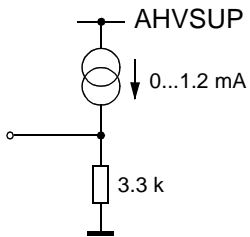


Fig. 9-20: Output Pins 56, 57, 59, 60, and 54 (DACA_L/R, DACM_L/R, DACM_SUB)

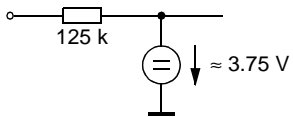


Fig. 9-21: Pin 42 (AGNDC)

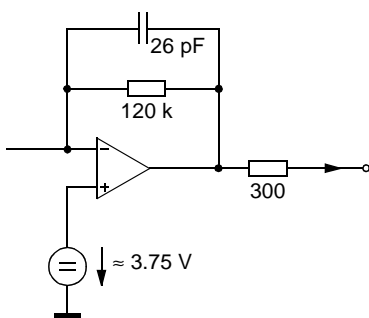


Fig. 9-22: Output Pins 47, 48, 50, and 51 (SC_1/2_OUT_L/R)

9.5. Electrical Characteristics

9.5.1. Absolute Maximum Ratings

Symbol	Parameter	Pin Name	Min.	Max.	Unit
T_A	Ambient Operating Temperature	–	0	70 ¹⁾	°C
T_S	Storage Temperature	–	–40	125	°C
V_{SUP1}	First Supply Voltage	AHVSUP	–0.3	9.0	V
V_{SUP2}	Second Supply Voltage	DVSUP	–0.3	6.0	V
V_{SUP3}	Third Supply Voltage	AVSUP	–0.3	6.0	V
dV_{SUP23}	Voltage between AVSUP and DVSUP	AVSUP, DVSUP	–0.5	0.5	V
P_{TOT}	Package Power Dissipation PLCC68 without Heat Spreader PSDIP64 without Heat Spreader PSDIP52 without Heat Spreader PQFP80 without Heat Spreader PLQFP64 without Heat Spreader			1200 1300 1200 1000 960 ¹⁾	mW
V_{Idig}	Input Voltage, all Digital Inputs		–0.3	$V_{SUP2}+0.3$	V
I_{Idig}	Input Current, all Digital Pins	–	–20	+20	mA ²⁾
V_{Iana}	Input Voltage, all Analog Inputs	SCn_IN_s, ³⁾ MONO_IN	–0.3	$V_{SUP1}+0.3$	V
I_{Iana}	Input Current, all Analog Inputs	SCn_IN_s, ³⁾ MONO_IN	–5	+5	mA ²⁾
I_{Oana}	Output Current, all SCART Outputs	SCn_OUT_s ³⁾	4), 5)	4), 5)	
I_{Oana}	Output Current, all Analog Outputs except SCART Outputs	DACp_s ³⁾	4)	4)	
I_{Cana}	Output Current, other pins connected to capacitors	CAPL_p, ³⁾ AGNDC	4)	4)	
<p>1) PLQFP64: 65 °C 2) positive value means current flowing into the circuit 3) “n” means “1”, “2”, “3”, or “4”, “s” means “L” or “R”, “p” means “M” or “A” 4) The analog outputs are short circuit proof with respect to First Supply Voltage and ground. 5) Total chip power dissipation must not exceed absolute maximum rating.</p>					

Stresses beyond those listed in the “Absolute Maximum Ratings” may cause permanent damage to the device. This is a stress rating only. Functional operation of the device at these or any other conditions beyond those indicated in the “Recommended Operating Conditions/Characteristics” of this specification is not implied. Exposure to absolute maximum ratings conditions for extended periods may affect device reliability.

9.5.2. Recommended Operating Conditions(at $T_A = 0$ to 70 °C)

Symbol	Parameter	Pin Name	Min.	Typ.	Max.	Unit
V_{SUP1}	First Supply Voltage	AHVSUP	7.6	8.0	8.7	V
V_{SUP2}	Second Supply Voltage	DVSUP	4.75	5.0	5.25	V
V_{SUP3}	Third Supply Voltage	AVSUP	4.75	5.0	5.25	V
V_{RLH}	RESET Input Low-to-High Transition Voltage	RESETQ	0.7		0.8	DVSUP
V_{RHL}	RESET Input High-to-Low Transition Voltage (see also Fig. 5–3 on page 20)		0.45		0.55	DVSUP
V_{DIGIL}	Digital Input Low Voltage	ADR_SEL			0.2	V_{SUP2}
V_{DIGIH}	Digital Input High Voltage		0.8			V_{SUP2}
V_{DIGIL}	Digital Input Low Voltage	STANDBYQ			0.2	V_{SUP2}
V_{DIGIH}	Digital Input High Voltage MSP 34x0D version A1 to B4 MSP 34x0D version C5 and later		0.8 0.5			V_{SUP2} V_{SUP2}
t_{STBYQ1}	STANDBYQ Setup Time before Turn-off of Second Supply Voltage	STANDBYQ, DVSUP	1			μ s
I²C-Bus Recommendations						
V_{I2CIL}	I ² C-BUS Input Low Voltage	I2C_CL, I2C_DA			0.3	V_{SUP2}
V_{I2CIH}	I ² C-BUS Input High Voltage		0.6			V_{SUP2}
t_{I2C5}	I ² C-Data Setup Time Before Rising Edge of Clock		55			ns
t_{I2C6}	I ² C-Data Hold Time after Falling Edge of Clock		55			ns
t_{I2C1}	I ² C START Condition Setup Time		120			ns
t_{I2C2}	I ² C STOP Condition Setup Time		120			ns
t_{I2C3}	I ² C-Clock Low Pulse Time	I2C_CL	500			ns
t_{I2C4}	I ² C-Clock High Pulse Time		500			ns
f_{I2C}	I ² C-BUS Frequency				1.0	MHz

Symbol	Parameter	Pin Name	Min.	Typ.	Max.	Unit
I²S-Bus Recommendations						
V_{I2SIH}	I ² S-Data Input High Voltage MSP 34x0D version A1 to B4 MSP 34x0D version C5 and later	I2S_DA_IN1/2			0.25 0.2	V_{SUP2} V_{SUP2}
V_{I2SIL}	I ² S-Data Input Low Voltage MSP 34x0D version A1 to B4 MSP 34x0D version C5 and later		0.75 0.5			V_{SUP2} V_{SUP2}
t_{I2S1}	I ² S-Data Input Setup Time before Rising Edge of Clock	I2S_DA_IN1/2, I2S_CL	20			ns
t_{I2S2}	I ² S-Data Input Hold Time after Falling Edge of Clock		0			ns
f_{I2SCL}	I ² S-Clock Input Frequency when MSP in I ² S-Slave-Mode	I2S_CL		1.024		MHz
R_{I2SCL}	I ² S-Clock Input Ratio when MSP in I ² S-Slave-Mode		0.9		1.1	
f_{I2SWS}	I ² S-Word Strobe Input Frequency when MSP in I ² S-Slave-Mode	I2S_WS		32.0		kHz
V_{I2SIDL}	I ² S-Input Low Voltage when MSP in I ² S-Slave Mode MSP 34x0D version A1 to B4 MSP 34x0D version C5 and later	I2S_CL, I2S_WS			0.25 0.2	V_{SUP2} V_{SUP2}
V_{I2SIDH}	I ² S-Input High Voltage when MSP in I ² S-Slave Mode MSP 34x0D version A1 to B4 MSP 34x0D version C5 and later		0.75 0.5			V_{SUP2} V_{SUP2}
t_{I2SWS1}	I ² S-Word Strobe Input Setup Time before Rising Edge of Clock when MSP in I ² S-Slave-Mode		60			ns
t_{I2SWS2}	I ² S-Word Strobe Input Hold Time after Falling Edge of Clock when MSP in I ² S-Slave-Mode		0			ns

Symbol	Parameter	Pin Name	Min.	Typ.	Max.	Unit
General Crystal Recommendations						
f_P	Crystal Parallel Resonance Frequency at 12 pF Load Capacitance			18.432		MHz
R_R	Crystal Series Resistance			8	25	Ω
C_0	Crystal Shunt (Parallel) Capacitance			6.2	7.0	pF
C_L	External Load Capacitance ¹⁾	XTAL_IN, XTAL_OUT	PSDIP PLCC P(L)QFP	1.5 3.3 3.3		pF pF pF
Crystal Recommendations for Master-Slave Applications						
f_{TOL}	Accuracy of Adjustment		-20		+20	ppm
D_{TEM}	Frequency Variation versus Temperature		-20		+20	ppm
C_1	Motional (Dynamic) Capacitance		19	24		fF
f_{CL}	Required Open Loop Clock Frequency ($T_{amb} = 25^\circ\text{C}$)	AUD_CL_OUT	18.431		18.433	MHz
Crystal Recommendations for FM / NICAM Applications (No Master-Slave Mode possible)						
f_{TOL}	Accuracy of Adjustment		-30		+30	ppm
D_{TEM}	Frequency Variation vs. Temp.		-30		+30	ppm
C_1	Motional (Dynamic) Capacitance		15			fF
f_{CL}	Required Open Loop Clock Frequency ($T_{amb} = 25^\circ\text{C}$)	AUD_CL_OUT	18.4305		18.4335	MHz
Crystal Recommendations for FM Applications (No Master-Slave Mode possible)						
f_{TOL}	Accuracy of Adjustment		-100		+100	ppm
D_{TEM}	Frequency Variation versus Temperature		-50		+50	ppm
Amplitude Recommendation for Operation with External Clock Input (C_{load} after reset = 22 pF)						
V_{XCA}	External Clock Amplitude	XTAL_IN	0.7			V_{pp}
<p>¹⁾ External capacitors at each crystal pin to ground are required. They are necessary to tune the open-loop frequency of the internal PLL and to stabilize the frequency in closed-loop operation. Due to different layouts, <u>the accurate capacitor size should be determined with the customer PCB</u>. The suggested values (1.5...3.3 pF) are figures based on experience and should serve as "start value".</p> <p>To define the capacitor size, reset the MSP without transmitting any further I²C telegrams. Measure the frequency at AUD_CL_OUT-pin. Change the capacitor size until the free running frequency matches 18.432 MHz as closely as possible. The higher the capacity, the lower the resulting clock frequency.</p>						

Symbol	Parameter	Pin Name	Min.	Typ.	Max.	Unit	
Analog Input and Output Recommendations							
C _{AGNDC}	AGNDC Filter Capacitor	AGNDC	-20%	3.3		μF	
	Ceramic Capacitor in Parallel		-20%	100		nF	
C _{inSC}	DC-Decoupling Capacitor in front of SCART Inputs	SCn_IN_s ¹⁾	-20%	330	+20%	nF	
V _{inSC}	SCART Input Level				2.0	V _{RMS}	
V _{inMONO}	Input Level, Mono Input	MONO_IN			2.0	V _{RMS}	
R _{LSC}	SCART Load Resistance	SCn_OUT_s ¹⁾	10			kΩ	
C _{LSC}	SCART Load Capacitance				6.0	nF	
C _{VMA}	Main/AUX Volume Capacitor	CAPL_M, CAPL_A		10		μF	
C _{FMA}	Main/AUX Filter Capacitor	DACM_s, DACA_s ¹⁾	-10%	1	+10%	nF	
Recommendations for Analog Sound IF Input Signal							
C _{VREFTOP}	VREFTOP Filter Capacitor	VREFTOP	-20%	10		μF	
	Ceramic Capacitor in Parallel		-20%	100		nF	
F _{IF_FM}	Analog Input Frequency Range	ANA_IN1+, ANA_IN2+, ANA_IN-	0		9	MHz	
V _{IF_FM}	Analog Input Range FM/NICAM		0.1	0.8	3	V _{pp}	
V _{IF_AM}	Analog Input Range AM/NICAM		0.1	0.45	0.8	V _{pp}	
R _{FMNI}	Ratio: NICAM Carrier/FM Carrier (unmodulated carriers) BG: I:		-20	-7	0	dB	
			-23	-10	0	dB	
R _{AMNI}	Ratio: NICAM Carrier/AM Carrier (unmodulated carriers)		-25	-11	0	dB	
R _{FM}	Ratio: FM-Main/FM-Sub Satellite			7		dB	
R _{FM1/FM2}	Ratio: FM1/FM2 German FM System			7		dB	
R _{FC}	Ratio: Main FM Carrier/Color Carrier		15	-	-	dB	
R _{FV}	Ratio: Main FM Carrier/Luma Components		15	-	-	dB	
PR _{IF}	Pass-band Ripple		-	-	±2	dB	
SUP _{HF}	Suppression of Spectrum Above 9.0 MHz		15		-	dB	
FM _{MAX}	Maximum FM Deviation (approx.) normal mode high deviation mode					±192 ±360	kHz
1) "n" means "1", "2" or "3", "s" means "L" or "R"							

9.5.3. Characteristics

at $T_A = 0$ to 70 °C, $f_{\text{CLOCK}} = 18.432$ MHz, $V_{\text{SUP1}} = 7.6$ to 8.7 V, $V_{\text{SUP2}} = 4.75$ to 5.25 V for min./max. values at $T_A = 60$ °C, $f_{\text{CLOCK}} = 18.432$ MHz, $V_{\text{SUP1}} = 8$ V, $V_{\text{SUP2}} = 5$ V for typical values, $T_J =$ Junction Temperature
 MAIN (M) = Loudspeaker Channel, AUX (A) = Headphone Channel

Symbol	Parameter	Pin Name	Min.	Typ.	Max.	Unit	Test Conditions
f_{CLOCK}	Clock Input Frequency	XTAL_IN		18.432		MHz	
D_{CLOCK}	Clock High to Low Ratio		45		55	%	
t_{JITTER}	Clock Jitter (verification not provided in production test)				50	ps	
V_{xtalDC}	DC-Voltage Oscillator			2.5		V	
t_{Startup}	Oscillator Start-up Time at V_{DD} Slew-rate of 1 V/1 μ s	XTAL_IN, XTAL_OUT		0.4	2	ms	
I_{SUP1A}	First Supply Current (active) Analog Volume for Main and Aux at 0 dB Analog Volume for Main and Aux at -30 dB	AHVSUP	9.6 6.3	17.1 11.2	24.6 16.1	mA mA	
I_{SUP1S}	First Supply Current (standby mode) at $T_J = 27$ °C		3.5	5.6	7.7	mA	STANDBYQ = low
I_{SUP2A}	Second Supply Current (active) MSP 34x0D version A1 to B4 MSP 34x0D version C5 and later	DVSUP	86 50	95 70	110 85	mA mA	
I_{SUP3A}	Third Supply Current (active) MSP 34x0D version A1 to B4 MSP 34x0D version C5 and later	AVSUP	15 20	25 35	35 45	mA mA	
V_{ACLKAC}	Audio Clock Output AC Voltage	AUD_CL_OUT	1.2	1.8		V_{pp}	load = 40 pF
V_{ACLKDC}	Audio Clock Output DC Voltage		0.4		0.6	V_{SUP3}	$I_{\text{max}} = 0.2$ mA
$r_{\text{outHF_ACL}}$	HF Output Resistance			140		Ω	
a_{ACL}	Open Circuit Gain	AUD_CL_OUT, XTAL_OUT		0.5			
Digital Control Outputs							
V_{DCTRL}	Digital Output Low Voltage	D_CTR_OUT0, D_CTR_OUT1			0.4	V	$I_{\text{DCTR}} = 1$ mA
V_{DCTROH}	Digital Output High Voltage		4.0			V	$I_{\text{DCTR}} = -1$ mA
I²C-Bus							
V_{I2COL}	I ² C-Data Output Low Voltage	I2C_DA			0.4	V	$I_{\text{I2COL}} = 3$ mA
I_{I2COH}	I ² C-Data Output High Current				1.0	μ A	$V_{\text{I2COH}} = 5$ V
t_{I2COL1}	I ² C-Data Output Hold Time after Falling Edge of Clock	I2C_DA, I2C_CL	15			ns	
t_{I2COL2}	I ² C-Data Output Setup Time before Rising Edge of Clock		100			ns	$f_{\text{I2C}} = 1$ MHz
I²S-Bus							
V_{I2SOL}	I ² S-Output Low Voltage	I2S_WS, I2S_CL, I2S_DA_OUT			0.4	V	$I_{\text{I2SOL}} = 1$ mA
V_{I2SOH}	I ² S-Output High Voltage		4.0			V	$I_{\text{I2SOH}} = -1$ mA
f_{I2SCL}	I ² S-Clock Output Frequency	I2S_CL		1024		kHz	NICAM-PLL closed
f_{I2SWS}	I ² S-Word Strobe Output Frequency	I2S_WS		32.0		kHz	NICAM-PLL closed
$t_{\text{I2S1/I2S2}}$	I ² S-Clock High/Low-Ratio	I2S_CL	0.9	1.0	1.1		

Symbol	Parameter	Pin Name	Min.	Typ.	Max.	Unit	Test Conditions
t _{I2S3}	I ² S-Data Setup Time before Rising Edge of Clock	I2S_CL, I2S_DA_OUT	200			ns	C _L = 30 pF
t _{I2S4}	I ² S-Data Hold Time after Falling Edge of Clock				180	ns	C _L = 30 pF
t _{I2S5}	I ² S-Word Strobe Setup Time before Rising Edge of Clock	I2S_CL, I2S_WS	200			ns	C _L = 30 pF
t _{I2S6}	I ² S-Word Strobe Hold Time after Falling Edge of Clock				180	ns	C _L = 30 pF
Analog Ground							
V _{AGNDC0}	AGNDC Open Circuit Voltage MSP 34x0D version A1 to B4 MSP 34x0D version C5 and later	AGNDC	3.63 3.67	3.73 3.77	3.83 3.87	V V	R _{load} ≥ 10 MΩ
R _{outAGN}	AGNDC Output Resistance		70	125	180	kΩ	3 V ≤ V _{AGNDC} ≤ 4 V
Analog Input Resistance							
R _{inSC}	SCART Input Resistance from T _A = 0 to 70 °C	SCn_IN_s ¹⁾	25	40	58	kΩ	f _{signal} = 1 kHz, I = 0.05 mA
R _{inMONO}	MONO Input Resistance from T _A = 0 to 70 °C	MONO_IN	15	24	35	kΩ	f _{signal} = 1 kHz, I = 0.1 mA
Audio Analog-to-Digital-Converter							
V _{AICL}	Effective Analog Input Clipping Level for Analog-to-Digital-Conversion	SCn_IN_s, ¹⁾ MONO_IN	2.00		2.25	V _{RMS}	f _{signal} = 1 kHz
SCART Outputs							
R _{outSC}	SCART Output Resistance at T _j = 27 °C from T _A = 0 to 70 °C	SCn_OUT_s ¹⁾	200 200	330	460 500	Ω Ω	f _{signal} = 1 kHz, I = 0.1 mA
dV _{OUTSC}	Deviation of DC-Level at SCART Output from AGNDC Voltage		-70		+70	mV	
A _{SCtoSC}	Gain from Analog Input to SCART Output	SCn_IN_s ¹⁾ MONO_IN	-1.0		+0.5	dB	f _{signal} = 1 kHz
f _{rSCtoSC}	Frequency Response from Analog Input to SCART Output bandwidth: 0 to 20000 Hz	→ SCn_OUT_s ¹⁾	-0.5		+0.5	dB	with respect to 1 kHz
V _{outSC}	Effective Signal Level at SCART-Output during full-scale digital input signal from DSP	SCn_OUT_s ¹⁾	1.8	1.9	2.0	V _{RMS}	f _{signal} = 1 kHz
1) "n" means "1", "2", "3", or "4"; "s" means "L" or "R"							

Symbol	Parameter	Pin Name	Min.	Typ.	Max.	Unit	Test Conditions
Main and AUX Outputs							
R_{outMA}	Main/AUX Output Resistance at $T_j = 27\text{ °C}$ from $T_A = 0$ to 70 °C	DACp_s ¹⁾	2.1 2.1	3.3	4.6 5.0	k Ω k Ω	$f_{signal} = 1\text{ kHz}$, $I = 0.1\text{ mA}$
$V_{outDCMA}$	DC-Level at Main/AUX-Output for Analog Volume at 0 dB for Analog Volume at -30 dB		1.80	2.04 61	2.28	V mV	
V_{outMA}	Effective Signal Level at Main/AUX-Output during full-scale digital input signal from DSP for Analog Volume at 0 dB		1.23	1.37	1.51	V_{RMS}	$f_{signal} = 1\text{ kHz}$
Analog Performance							
SNR	Signal-to-Noise Ratio						
	from Analog Input to DSP	MONO_IN, SCn_IN_s ¹⁾	85	88		dB	Input Level = -20 dB with resp. to V_{AICL} , $f_{sig} = 1\text{ kHz}$, equally weighted 20 Hz... 16 kHz ²⁾
	from Analog Input to SCART Output	MONO_IN, SCn_IN_s ¹⁾ → SCn_OUT_s ¹⁾	93	96		dB	Input Level = -20 dB, $f_{sig} = 1\text{ kHz}$, equally weighted 20 Hz... 20 kHz
	from DSP to SCART Output	SCn_OUT_s ¹⁾	85	88		dB	Input Level = -20 dB, $f_{sig} = 1\text{ kHz}$, equally weighted 20 Hz... 15 kHz ³⁾
	from DSP to Main/AUX-Output for Analog Volume at 0 dB for Analog Volume at -30 dB	DACp_s ¹⁾	85 78	88 83		dB dB	Input Level = -20 dB, $f_{sig} = 1\text{ kHz}$, equally weighted 20 Hz... 15 kHz ³⁾
THD	Total Harmonic Distortion						
	from Analog Input to DSP	MONO_IN, SCn_IN_s ¹⁾		0.01	0.03	%	Input Level = -3 dBr with resp. to V_{AICL} , $f_{sig} = 1\text{ kHz}$, equally weighted 20 Hz... 16 kHz ²⁾
	from Analog Input to SCART Output	MONO_IN, SCn_IN_s → SCn_OUT_s ¹⁾		0.01	0.03	%	Input Level = -3 dBr, $f_{sig} = 1\text{ kHz}$, equally weighted 20 Hz... 20 kHz
	from DSP to SCART Output	SCn_OUT_s ¹⁾		0.01	0.03	%	Input Level = -3 dBr, $f_{sig} = 1\text{ kHz}$, equally weighted 20 Hz... 16 kHz ³⁾
	from DSP to Main or AUX Output	DACA_s, DACM_s ¹⁾		0.01	0.03	%	Input Level = -3 dBr, $f_{sig} = 1\text{ kHz}$, equally weighted 20 Hz... 16 kHz ³⁾
<p>1) "n" means "1", "2", "3", or "4"; "s" means "L" or "R"; "p" means "M" or "A"</p> <p>2) DSP measured at I²S-Output</p> <p>3) DSP Input at I²S-Input</p>							

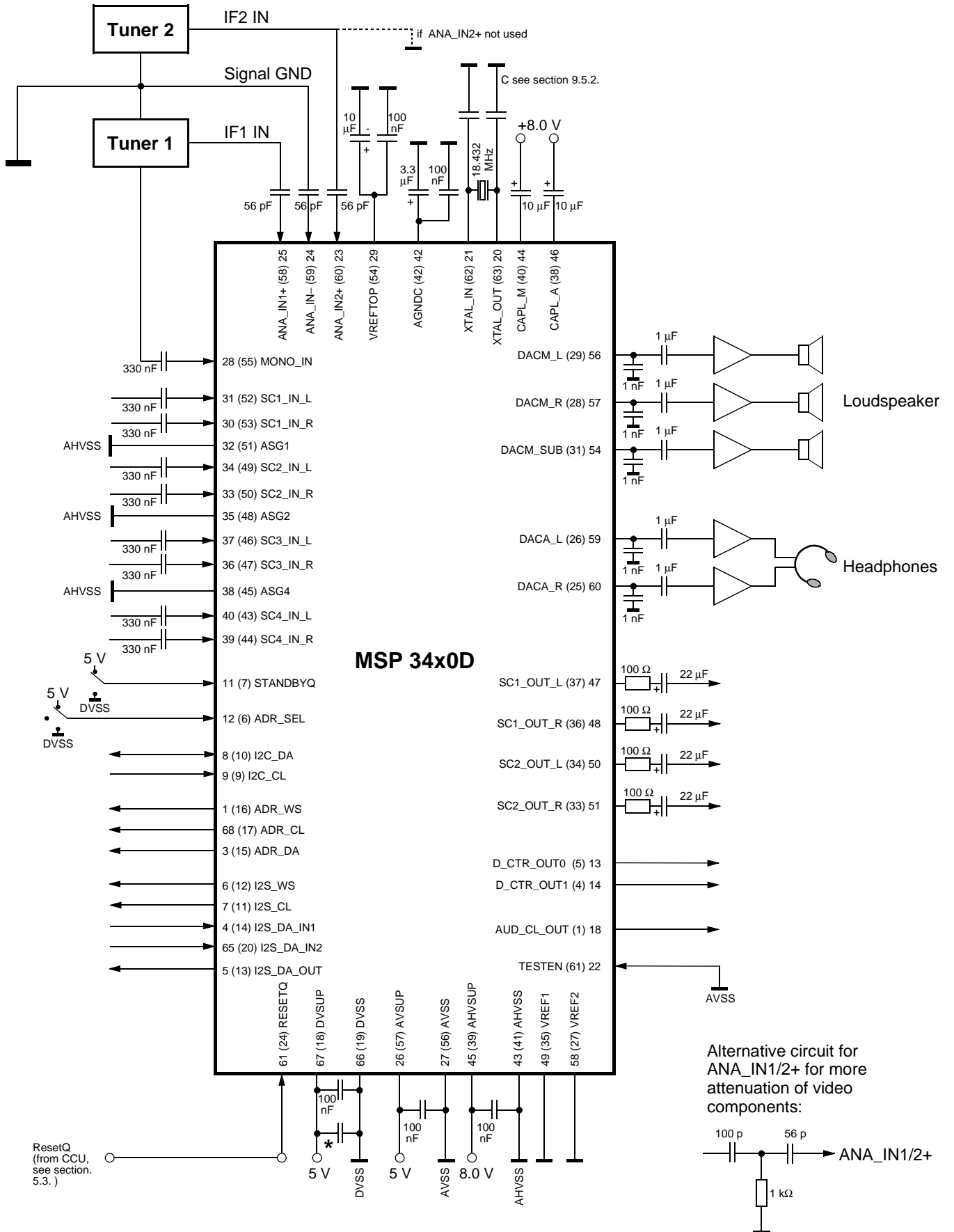
Symbol	Parameter	Pin Name	Min.	Typ.	Max.	Unit	Test Conditions
XTALK	Crosstalk attenuation – PLCC68 – PSDIP64						Input Level = –3 dB, f _{sig} = 1 kHz, unused ana- log inputs connected to ground by Z < 1 kΩ
	between left and right channel within SCART Input/Output pair (L→R, R→L) SCn_IN → SCn_OUT ¹⁾		PLCC68 PSDIP64	80 80			equally weighted 20 Hz...20 kHz
	SC1_IN or SC2_IN → DSP		PLCC68 PSDIP64	80 80			2)
	SC3_IN → DSP		PLCC68 PSDIP64	80 80			
	DSP → SCn_OUT ¹⁾		PLCC68 PSDIP64	80 80			3)
	between left and right channel within Main or AUX Output pair DSP → DACp ¹⁾		PLCC68 PSDIP64	80 75			equally weighted 20 Hz...16 kHz 3)
	between SCART Input/Output pairs ¹⁾ D = disturbing program O = observed program						(equally weighted 20 Hz...20 kHz same signal source on left and right disturbing chan- nel, effect on each observed output channel
	D: MONO/SCn_IN → SCn_OUT O: MONO/SCn_IN → SCn_OUT ¹⁾		PLCC68 PSDIP64	100 100			2)
	D: MONO/SCn_IN → SCn_OUT or unsel. O: MONO/SCn_IN → DSP ¹⁾		PLCC68 PSDIP64	100 95			3)
	D: MONO/SCn_IN → SCn_OUT O: DSP → SCn_OUT ¹⁾		PLCC68 PSDIP64	100 100			3)
D: MONO/SCn_IN → unselected O: DSP → SC1_OUT		PLCC68 PSDIP64	100 100			3)	
XTALK	Crosstalk between Main and AUX Output pairs DSP → DACp ¹⁾		PLCC68 PSDIP64	95 90			(equally weighted 20 Hz...16 kHz) ³⁾ same signal source on left and right disturbing chan- nel, effect on each observed output channel
	Crosstalk from Main or AUX Output to SCART Output and vice-versa D = disturbing program O = observed program						(equally weighted 20 Hz...20 kHz) same signal source on left and right disturbing chan- nel, effect on each observed output channel
XTALK	D: MONO/SCn_IN/DSP → SCn_OUT O: DSP → DACp ¹⁾		PLCC68 PSDIP64	85 80			dB dB SCART output load resis- tance 10 kΩ
	D: MONO/SCn_IN/DSP → SCn_OUT O: DSP → DACp ¹⁾		PLCC68 PSDIP64	90 85			dB dB SCART output load resis- tance 30 kΩ
	D: DSP → DACp O: MONO/SCn_IN → SCn_OUT ¹⁾		PLCC68 PSDIP64	100 95			dB dB 3)
	D: DSP → DACM O: DSP → SCn_OUT ¹⁾		PLCC68 PSDIP64	100 95			dB dB
¹⁾ "n" means "1", "2", "3", or "4"; "p" means "M" or "A" ²⁾ DSP measured at I ² S-Output ³⁾ DSP Input at I ² S-Input							

Symbol	Parameter	Pin Name	Min.	Typ.	Max.	Unit	Test Conditions
PSRR: rejection of noise on AHVSUP at 1 kHz							
	AGNDC	AGNDC		80		dB	
	From Analog Input to DSP	MONO_IN, SCn_IN_s ¹⁾		70		dB	
	From Analog Input to SCART Output	MONO_IN, SCn_IN_s ¹⁾ , SCn_OUT_s ¹⁾		70		dB	
	From DSP to SCART Output	SCn_OUT_s ¹⁾		60		dB	
	From DSP to MAIN/AUX Output	DACp_s ¹⁾		80		dB	
S/N _{FM}	FM Input to Main/AUX/SCART Output	DACp_s ¹⁾ , SCn_OUT_s ¹⁾	73			dB	1 FM-carrier 5.5 MHz, 50 μ s, 1 kHz, 40 kHz deviation; RMS, unweighted 0 to 15 kHz (for S/N); full input range, FM-Prescale = 46 _h , Vol = 0 dB → Output Level 1 V _{RMS} at DACp_s ¹⁾ ; SPM = 3
THD _{FM}	Total Harmonic Distortion + Noise of FM demodulated signal on Main/AUX/SCART output	DACp_s ¹⁾ , SCn_OUT_s ¹⁾			0.1	%	
S/N _{NICAM}	Signal to Noise ratio of NICAM baseband signal on Main/AUX/SCART outputs	DACp_s ¹⁾ , SCn_OUT_s ¹⁾	72			dB	NICAM: -6 dB, 1 kHz, RMS unweighted 0 to 15 kHz, Vol = 9 dB NIC_Presc = 7F _h Output level 1 V _{RMS} at DACp_s ¹⁾ ; SPM = 8
THD _{NICAM}	Total Harmonic Distortion + Noise of NICAM baseband signal on Main/AUX/SCART output	DACp_s ¹⁾ , SCn_OUT_s ¹⁾			0.1	%	2.12 kHz, Modulator input level = 0 dBref SPM = 8
BER _{NI}	NICAM: Bit Error Rate	–			1	10 ⁻⁷	FM+NICAM, norm conditions
S/N _{AM}	Signal to Noise ratio of AM baseband signal on Main/AUX/SCART outputs	DACp_s ¹⁾ , SCn_OUT_s ¹⁾	48			dB	SIF input range: 0.1–0.8 V _{pp} ; AM = 70 %, 1 kHz, RMS unweighted (S/N); 0 to 15 kHz, FM/AM-Prescale = 3C _{hex} ; Vol = 0 dB → Output level: 0.5 V _{RMS} at DACp_s ¹⁾ FM+NICAM, norm conditions; SPM = 9
THD _{AM}	Total Harmonic Distortion + Noise of AM demodulated signal on Main/AUX/SCART output	DACp_s ¹⁾ , SCn_OUT_s ¹⁾			0.3	%	

¹⁾ "n" means "1", "2", "3", or "4"; "s" means "L" or "R"; "p" means "Loudspeaker (Main)" or "Headphone (AUX)"
SPM: Short Programming Mode

Symbol	Parameter	Pin Name	Min.	Typ.	Max.	Unit	Test Conditions
R _{IFIN}	Input Impedance	ANA_IN1+, ANA_IN2+, ANA_IN-	1.5 6.8	2 9.1	2.5 11.4	kΩ kΩ	Gain AGC = 20 dB Gain AGC = 3 dB
DC _{VREFTOP}	DC voltage at VREFTOP MSP 34x0D version A1 to B4 MSP 34x0D version C5 and later	VREFTOP	2.4 2.56	2.6 2.66	2.7 2.76	V V	
DC _{ANA_IN}	DC voltage on IF inputs	ANA_IN1+, ANA_IN2+, ANA_IN-	1.3	1.5	1.7	V	
XTALK _{IF}	Crosstalk attenuation	ANA_IN1+, ANA_IN2+, ANA_IN-	40			dB	f _{signal} = 1 MHz Input Level = -2 dB
BW _{IF}	3 dB Bandwidth		10			MHz	
AGC	AGC Step Width		0.85			dB	
dV _{FMOUT}	Tolerance of output voltage of FM demodulated signal	DACp _s ¹⁾ , SCn_OUT _s ¹⁾	-1.5		+1.5	dB	1 FM-carrier, 50 μs, 1 kHz, 40 kHz deviation; RMS
dV _{NICAMOUT}	Tolerance of output voltage of NICAM baseband signal	DACp _s ¹⁾ , SCn_OUT _s ¹⁾	-1.5		+1.5	dB	2.12 kHz, Modulator input level = 0 dBref
f _{RFM}	FM Frequency Response on Main/ AUX/SCART Outputs, Bandwidth 20 to 15000 Hz	DACp _s ¹⁾ , SCn_OUT _s ¹⁾	-1.0		+1.0	dB	1 FM-carrier 5.5 MHz, 50 μs, Modulator input level = -14.6 dBref; RMS
f _{RNICAM}	NICAM Frequency Response on Main/AUX/SCART Outputs, Bandwidth 20 to 15000 Hz	DACp _s ¹⁾ , SCn_OUT _s ¹⁾	-1.0		+1.0	dB	Modulator input level = -12 dB dBref; RMS
SEP _{FM}	FM Channel Separation (Stereo)	DACp _s ¹⁾ , SCn_OUT _s ¹⁾	50			dB	2 FM-carriers 5.5/5.74 MHz, 50 μs, 1 kHz, 40 kHz deviation; RMS
SEP _{NICAM}	NICAM Channel Separation (Stereo)	DACp _s ¹⁾ , SCn_OUT _s ¹⁾	80			dB	
XTALK _{FM}	FM Crosstalk Attenuation (Dual)	DACp _s ¹⁾ , SCn_OUT _s ¹⁾	80			dB	2 FM-carriers 5.5/5.74 MHz, 50 μs, 1 kHz, 40 kHz deviation; RMS
XTALK _{NICAM}	NICAM Crosstalk Attenuation (Dual)	DACp _s ¹⁾ , SCn_OUT _s ¹⁾	80			dB	
1) "n" means "1", "2", "3", or "4"; "s" means "L" or "R"; "p" means "M" or "A"							

10. Application Circuit



Note: Pin numbers refer to the PLCC68 package; numbers in brackets refer to the PSDIP64 package.

***Application Note:**

All ground pins should be connected to one low-resistive ground plane.

All supply pins should be connected separately with short and low-resistive lines to the power supply.

Decoupling capacitors from DVSUP to DVSS, AVSUP to AVSS, and AHVSUP to AHVSS are recommended as closely as possible to these pins. Decoupling of DVSUP and DVSS is most important. We recommend using more than one capacitor. By choosing different values, the frequency range of active decoupling can be extended. In our application boards we use: 220 pF, 470 pF, 1.5 nF, and 10 μ F. The capacitor with the lowest value should be placed nearest to the DVSUP and DVSS pins.

The ASG pins should be connected as closely as possible to the MSP to ground. If they are lead with the SCART input lines as shielding line, they should NOT be connected to ground at the SCART connector.

11. Appendix A: MSP 34x0D Version History

A1

First hardware release, which is completely compatible to MSP 3410B.

A2

Hardware as A1 with additional features:

- Automatic NICAM-FM switching
- Demodulator Short Programming
- Automatic Standard Detection

B3

Hardware as A2 with additional features:

- Automatic Volume Correction (AVC)
- Subwoofer Output
- improved Automatic Standard Detection
- extended Short Programming Mode
- automatic reset and selection of identification for Demodulator Short Programming

B4

Hardware and firmware as B3:

- Carrier Mute Function not recommended in High-Deviation Mode

C5

- additional package PLQFP64
- digital input specification changed as of version C5 and later (see section 9.5. on page 66)
- max. analog high supply voltage AHVSUP 8.7 V
- supply currents changed as of version C5 and later (see section 9.5.3. on page 71)
- Pin ASG3 no longer supported

12. Data Sheet History

1. Preliminary data sheet: "MSP 3400D, MSP 3410D Multistandard Sound Processors, Nov. 30, 1998, 6251-482-1PD. First release of the preliminary data sheet.
2. Preliminary data sheet: "MSP 3400D, MSP 3410D Multistandard Sound Processors, May 14, 1999, 6251-482-2PD. Second release of the preliminary data sheet. Major changes:
 - specification for version C5 added (see Appendix A: Version History)
 - section 9.: specification for PLQFP64 package added

Micronas GmbH
Hans-Bunte-Strasse 19
D-79108 Freiburg (Germany)
P.O. Box 840
D-79008 Freiburg (Germany)
Tel. +49-761-517-0
Fax +49-761-517-2174
E-mail: docservice@micronas.com
Internet: www.micronas.com

Printed in Germany
Order No. 6251-482-2PD

All information and data contained in this data sheet are without any commitment, are not to be considered as an offer for conclusion of a contract, nor shall they be construed as to create any liability. Any new issue of this data sheet invalidates previous issues. Product availability and delivery are exclusively subject to our respective order confirmation form; the same applies to orders based on development samples delivered. By this publication, Micronas GmbH does not assume responsibility for patent infringements or other rights of third parties which may result from its use.

Further, Micronas GmbH reserves the right to revise this publication and to make changes to its content, at any time, without obligation to notify any person or entity of such revisions or changes.

No part of this publication may be reproduced, photocopied, stored on a retrieval system, or transmitted without the express written consent of Micronas GmbH.

Preliminary Data Sheet Supplement

Subject:	Compatibility Differences
Data Sheet Concerned:	All MSP 34xxD Data Sheets: 6251-482-2PD, 6251-475-2PD, 6251-486-2PD
Supplement:	No. 3/ 6251-526-3PDS
Edition:	Oct. 11, 2000

MSP 34xxD Family Compatibility Differences:

The MSP-family (MSP 3410D, MSP 3400D, MSP 3415D, MSP 3405D, MSP 3417D, MSP 3407D) is currently available in different technologies (0.8 μ , 0.5 μ , and 0.45 μ).

The specific differences of the various implementations are listed in the attached table.

Micronas

Compatibility Differences between 0.5/0.45 μ and 0.8 μ MSPD Devices

MSP-Type		MSP 3410D / MSP 3400D			MSP 3415D / MSP 3405D			MSP 3417D / MSP 3407D		
Version Code		B4	C5		A2	B3		A1	B2	
Technology		0.8 μ	0.5 μ	0.45 μ	0.8 μ	0.5 μ	0.45 μ	0.8 μ	0.5 μ	0.45 μ
Mask Iteration Code		67, 6B, 6G	8C and 94	G1, G4 H1, H3	6C, 6D	8D	G2, G5 H2, H4	6E, 6F	8F	G3, G6, H5
Feature	Documented in									
Datasheet Reference		MSP 3400D, MSP 3410D Edit. May 1999			MSP 3405D, MSP 3415D Edit Oct. 1999			MSP 3407D, MSP 3417D Edit Jan. 2000		
General Hardware										
Power Consumption	Datasheet	910 mW	640 mW	600 mW	910 mW	640 mW	600 mW	910 mW	640 mW	600 mW
Total Electromagnetic Radiation (EMR)		-	less due to less Power Consumption		-	less due to less Power Consumption		-	less due to less Power Consumption	
V_{AGNDC0} typical	Datasheet	3.73 V	3.77 V		3.73 V	3.77 V		3.73 V	3.77 V	
$DC_{VREFTOP}$ typical	Datasheet	2.6 V	2.66 V		2.6 V	2.66 V		2.6 V	2.66 V	
Maximum V_{sup1}	Datasheet	8.4 V	8.7 V		8.4 V	8.7 V		8.4 V	8.7 V	
Digital Input Pin characteristics (I2S_IN1/2, I2S_WS/CL, StANDBYQ)	Datasheet	-	modified specifications (see datasheet)		-	modified specifications (see datasheet)		-	modified specifications (see datasheet)	
Demodulator										
Carrier Mute		-	slightly slower, but more stable: 64ms mute, 500 ms demute		-	slightly slower, but more stable: 64ms mute, 500 ms demute		-	slightly slower, but more stable: 64ms mute, 500 ms demute	
AM-Frequency Response		-	more flat		-	more flat		-	more flat	
Automatic Standard Detection		-	faster, more stable and with mute- function		-	faster, more stable and with mute- function		-	faster, more stable and with mute- function	
Baseband Processing										
J17-Deemphasis for FM-Input channels	Datasheet Supplement	available	not available (75 μ s instead of J17)		available	not available (75 μ s instead of J17)		available	not available (75 μ s instead of J17)	
I ² S-Bus	Datasheet	available			not available	available		not available		
Frequency response of 50/75 μ s Deemphasis		-	more flat		-	more flat		-	more flat	
DC_Level (DSP-Reg.: 1B _{hex} /1C _{hex})		-	Level increased by appr. 15% 1*)		-	Level increased by appr. 15% 1*)		-	Level increased by appr. 15% 1*)	

Micronas

MSP-Type		MSP 3410D / MSP 3400D			MSP 3415D / MSP 3405D			MSP 3417D / MSP 3407D		
Version Code		B4	C5		A2	B3		A1	B2	
Technology		0.8 μ	0.5 μ	0.45 μ	0.8 μ	0.5 μ	0.45 μ	0.8 μ	0.5 μ	0.45 μ
Mask Iteration Code		67, 6B, 6G	8C and 94	G1, G4 H1, H3	6C, 6D	8D	G2, G5 H2, H4	6E, 6F	8F	G3, G6, H5
Feature	Documented in									
D/A-Outputs										
S/N-ratio		-	improved		-	improved		-	improved	
Pinning										
SCART2_Out pin	Datasheet	connected			not connected			connected	not connected	
DAC-Headphone pins	Datasheet	connected			not connected			connected	not connected	
Audio_Clock_Out	Datasheet	connected			connected	not connected (s. Datasheet P.51)		not connected		
The following pins refer to PQFP80:										
Pin 52	Datasheet	ASG2	ASG2	ASG2	ASG2	not connected (s. Datasheet P.51)		MSP 34x7D not available in 80-PQFP		
Pin 32	Datasheet	ASG3	not connected (s. Datasheet P.59)		ASG3	not connected (s. Datasheet P.51)		MSP 34x7D not available in 80-PQFP		
Pin 14	Datasheet	not connected	DVSS	DVSS	not connected	DVSS	DVSS	MSP 34x7D not available in 80-PQFP		
Pin 16	Datasheet	DVSS	not connected	not connected	DVSS	not connected	not connected	MSP 34x7D not available in 80-PQFP		

*1) In spite of increased DC-level controller-algorithms for automatic Sat-Carrier detection should run properly

This datasheet has been download from:

www.datasheetcatalog.com

Datasheets for electronics components.