

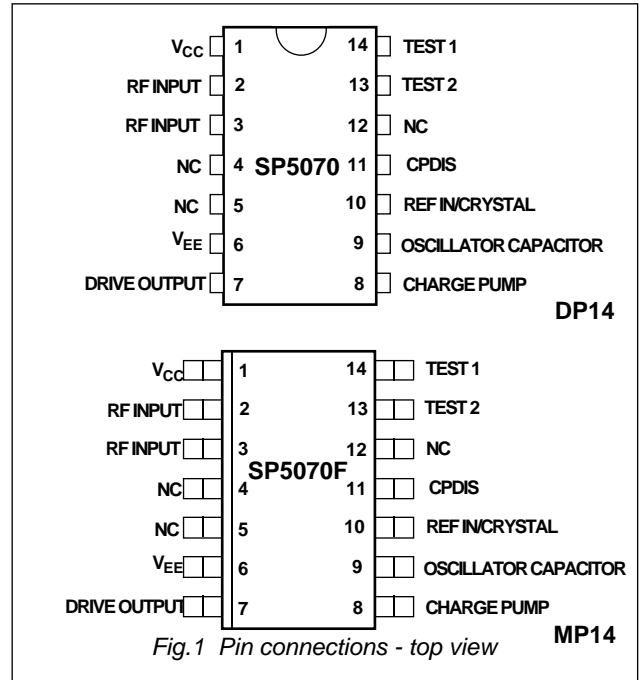
The SP5070 is a single modulus frequency synthesiser for use in Satellite TV receivers and together with an appropriate voltage controlled oscillator (VCO), forms a complete phase locked loop (PLL) synthesiser. The circuit consists of a prescaler with preamplifier and a fixed modulus divider. The phase comparator is fed with a reference frequency derived from an external oscillator or crystal. The comparator has a charge pump output amplifier stage around which feedback may be applied. Only an external transistor is required for varicap line driving.

FEATURES

- Low Power Consumption (5V, 47mA typ.)
 - Prescaler and Preamplifier Included
 - Charge Pump Amplifier with Feedback Point
 - Charge Pump Disable Facility
 - Synthesises Frequencies up to 2.4GHz
 - Pin and Function Compatible with SP5060 and SP5062
 - Full ESD Protection*
- * Normal ESD handling procedures should be observed.

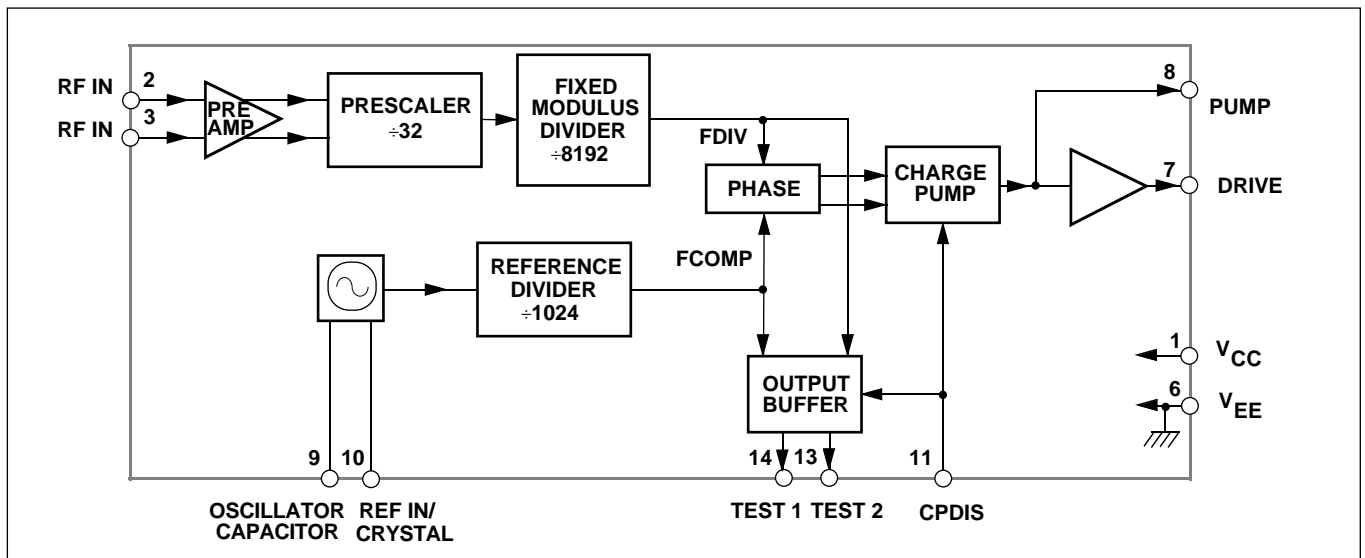
APPLICATIONS

- Satellite TV
- High IF Cable Tuning Systems
- C-Band with Frequency Doubling Mixer



ORDERING INFORMATION

- SP5070 DP - (14 Lead Plastic Package)
 SP5070F MP - (14 Lead Miniature Plastic Package)



SP5070

ELECTRICAL CHARACTERISTICS

T_{amb} = -40°C to +85°C, V_{CC} = +4.5V to +5.5V. These characteristics are guaranteed by either production test or design. They apply within the specified ambient temperature and supply voltage ranges unless otherwise stated.

Characteristics	Symbol	Pin	Value			Units	Conditions
			Min	Typ	Max		
Supply current	I _{CC}	1	-	47	55	mA	V _{CC} = 5V
Prescaler input voltage		2,3	50	-	300	mV _{RMS}	300MHz to 1.8GHz sinewave 2.4GHz, see Fig.5
Prescaler input voltage		2,3	100	-	300	mV _{RMS}	
Prescaler input impedance		2,3	-	50	-	pF	
Input capacitance		2,3	-	2	-		
Charge pump output current		8	-	±100	-	μA	V pin 8 = 2.0V V pin 8 = 2.0V At collector of External Varicap Drive transistor
Charge pump output leakage		8	-	-	±5	nA	
Drift due to leakage		-	-	-	5	mV/s	
Charge pump drive output current		7	1	-	-	mA	V pin 7 = 0.7V
Charge pump amplifier gain		-	-	6400	-	-	pin 7 current 100μa
Oscillator temperature stability		9,10	-	-	2	ppm/°C	
Oscillator stability with supply voltage		9,10	-	-	2	ppm/V	
Reference clock frequency		10	2	-	10	MHz	
External reference amplitude		10	150	-	500	mV _{RMS}	
Charge pump disable/TEST 1 and TEST 2/enable		11	-250	-	-500	μA	V _{IN} <0V
Charge pump disable leakage		11	-	-	10	μA	V pin 11= V _{CC}
TEST 1/TEST 2 sink current		13,14	1	-	-	mA	V _{OUT} = 0.7V
TEST 1/TEST 2 leakage current		13,14	-	-	10	μA	V _{OUT} = V _{CC} +0.3V
TEST 1/TEST 2 voltage		13,14	-	-	V _{CC} +0.3	V	

ABSOLUTE MAXIMUM RATINGS

All voltages are referred to V_{EE} = 0V

Characteristics	Pin	Value		Units
		Min	Max	
Supply voltage	1	-0.3	7	V
RF input voltage	2,3	-	2.5	Vp-p
RF input DC offset	2,3	-0.3	V _{CC} +0.3	V
Charge pump DC offset	8	-0.3	V _{CC} +0.3	V
Charge pump disable	11	-0.7	V _{CC} +0.3	V
Drive DC offset	7	-0.3	V _{CC} +0.3	V
Crystal oscillator DC offset	9,10	-0.3	V _{CC} +0.3	V
TEST outputs	13,14	-0.3	V _{CC} +0.3	V
Storage temperature	-	-55	150	°C
Junction temperature	-	-	+150	°C
DP14 thermal resistance, chip-to-ambient	-	-	78	°C/W
DP14 thermal resistance, chip-to-case	-	-	30	°C/W
MP14 thermal resistance, chip-to-ambient	-	-	123	°C/W
MP14 thermal resistance, chip-to-case	-	-	45	°C/W
Power consumption at 5.5V	-	-	275	mW

FUNCTIONAL DESCRIPTION

The SP5070, when used with a voltage controlled oscillator, forms a complete phase locked loop frequency synthesiser.

The phase comparator comparison frequency is obtained by dividing the reference frequency. This may be generated on-chip by means of an external crystal, or from an external reference oscillator.

The output of the prescaler is divided by the fixed modulus divider, producing an output frequency which is phased locked to the comparison frequency.

The divider stages are arranged to give a fixed ratio between the synthesised frequency and the reference of 256:1. Any frequency within the range of 300MHz to 2.4GHz may be achieved by using the appropriate reference or crystal frequency.

A single external transistor, driven from the charge pump output, provides the output drive necessary for the oscillator varicap line.

A test facility which disables the charge pump is also provided. This is activated when a negative voltage is applied to pin 11, see electrical characteristics above. When the device is in this mode, F_{COMP} and F_{DIV} are also available at outputs TEST1 and TEST2 respectively. These are open collector outputs and are each capable of sinking a minimum of 1mA. In normal mode of operation these outputs are high impedance.

For compatibility with SP5060/SP5062, pin 11 may be connected to V_{CC}

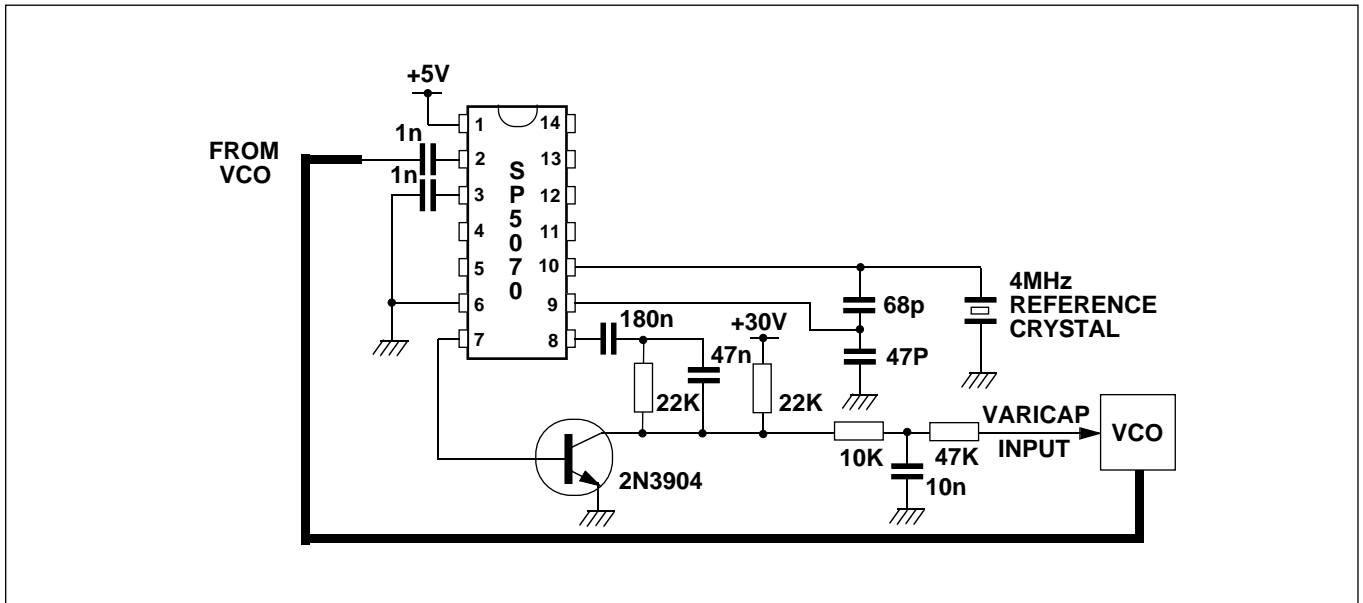


Fig.3 Typical application and test circuit (1024MHz with 4MHz reference crystal)

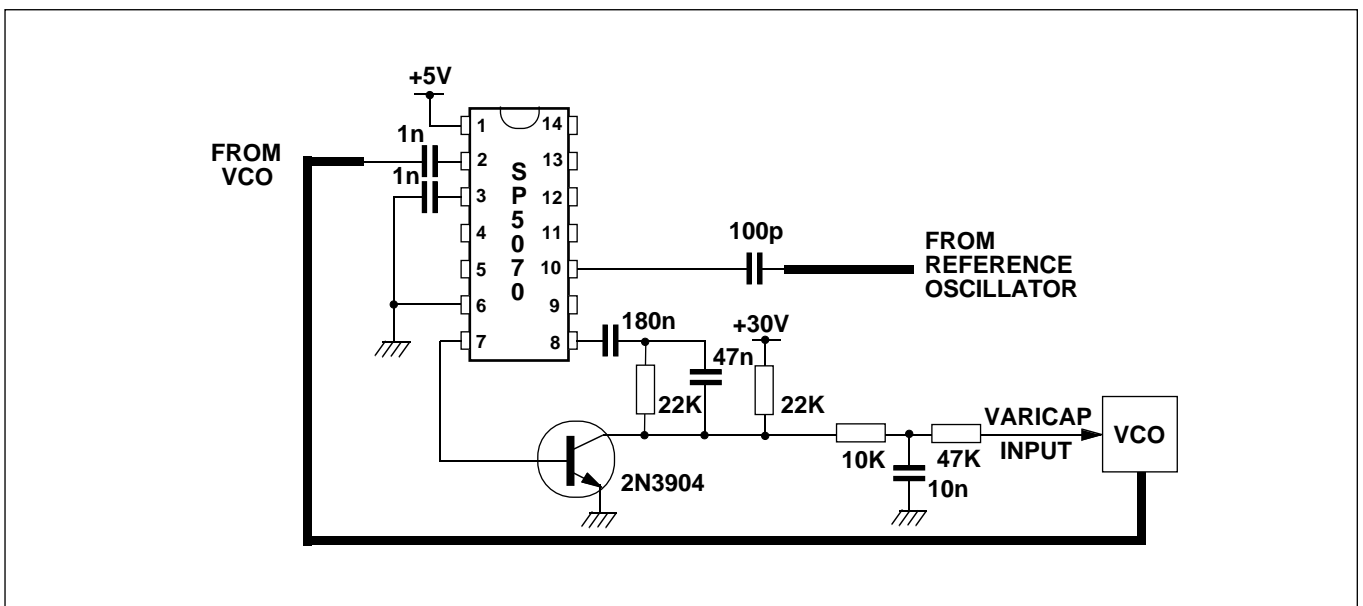


Fig.4 Application using external reference oscillator

SP5070

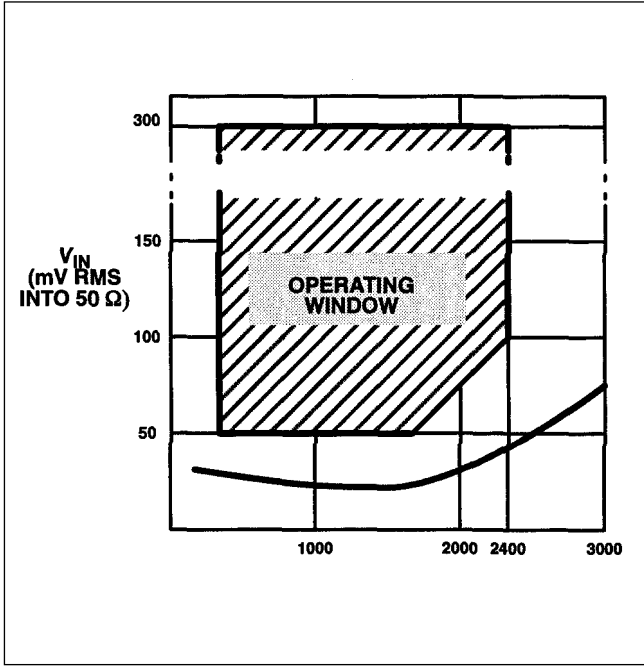


Fig.5 Typical input sensitivity

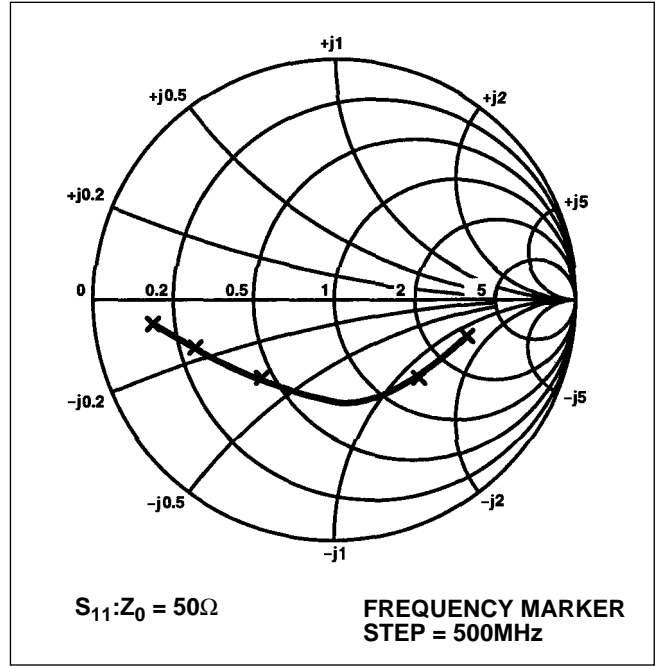


Fig.6 Typical input impedance

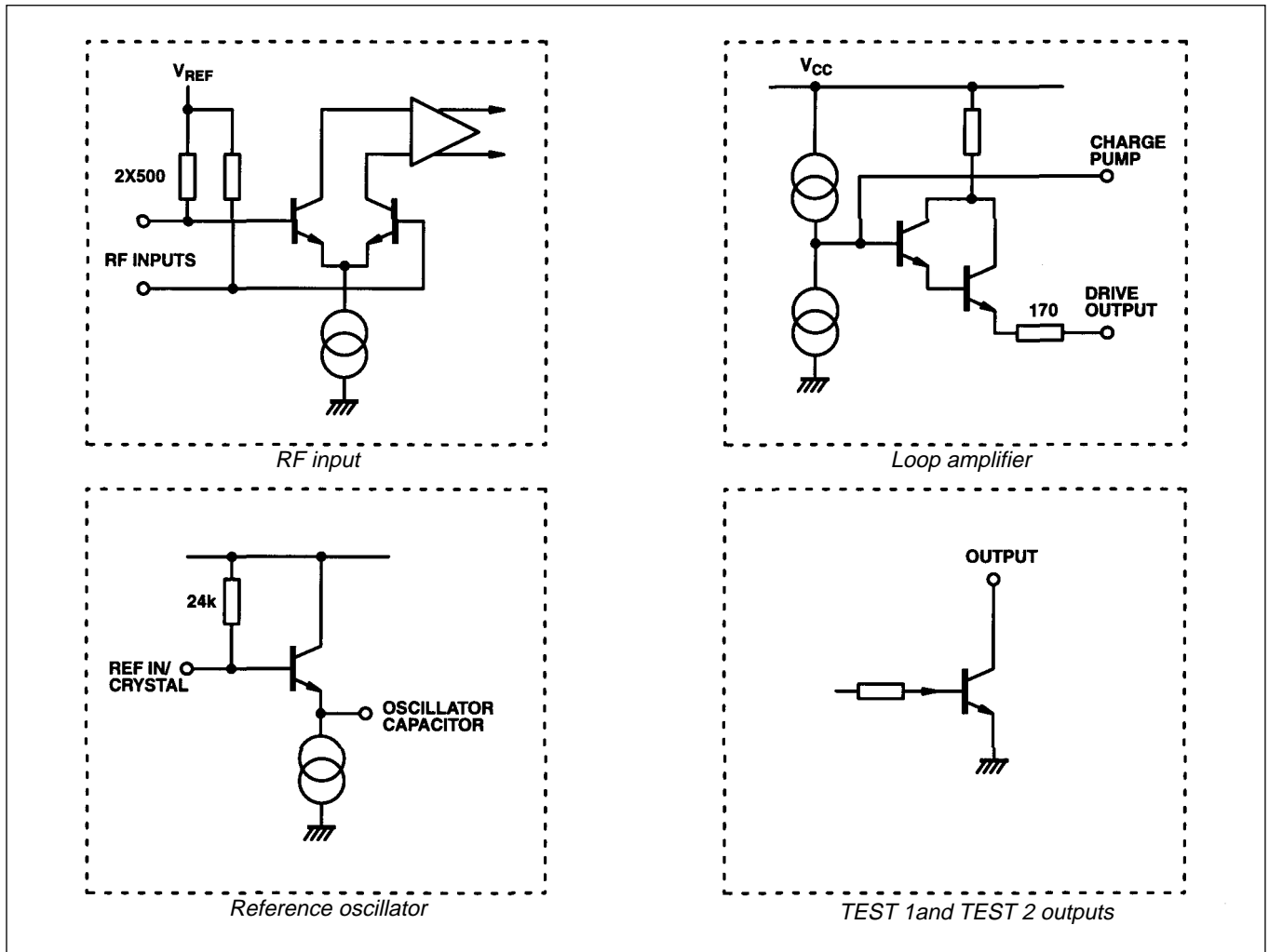
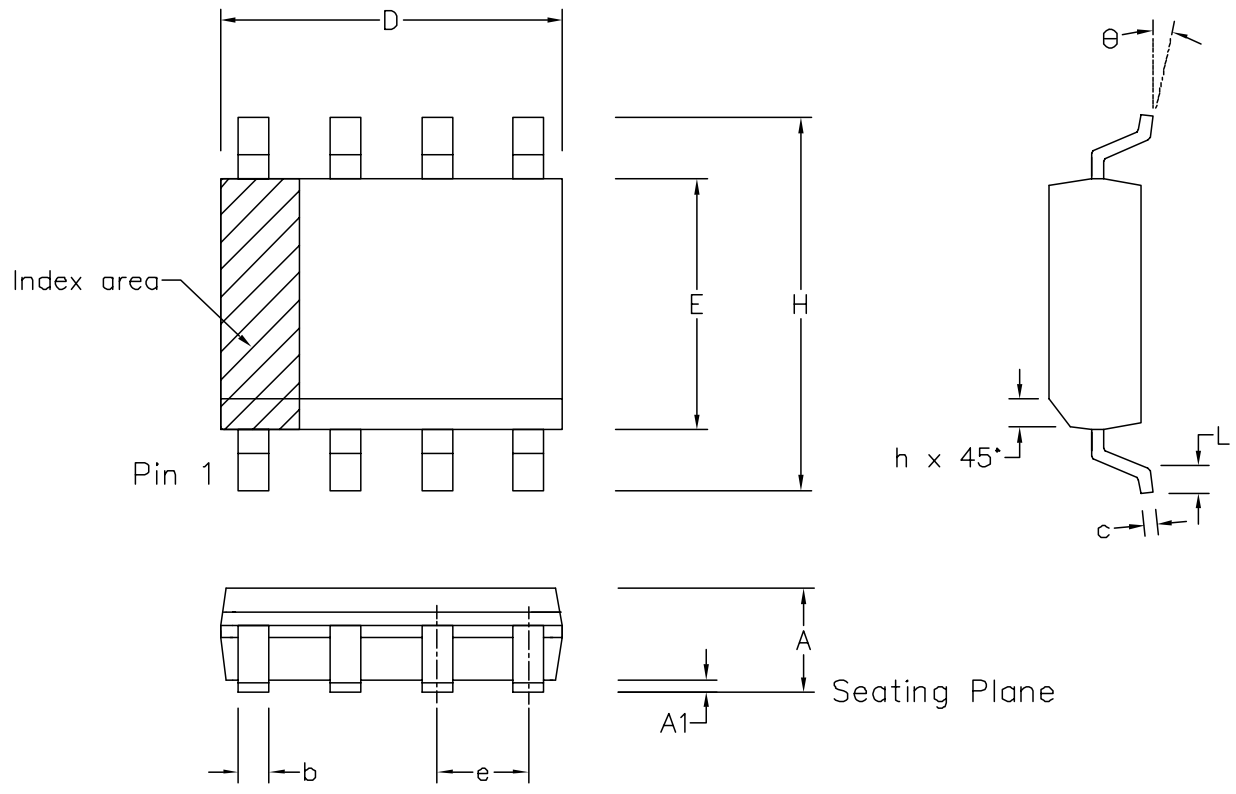


Fig.7 SP5070 input/output interface circuits



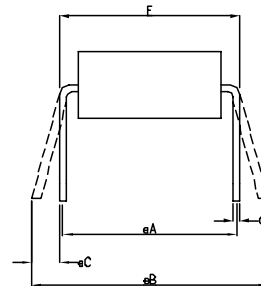
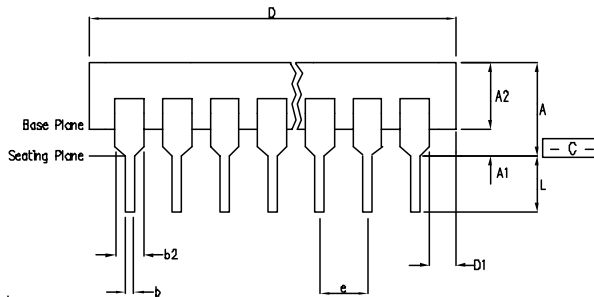
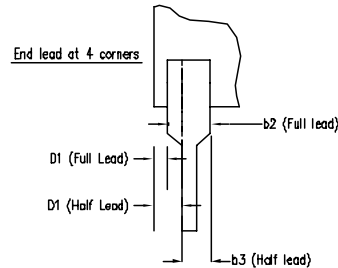
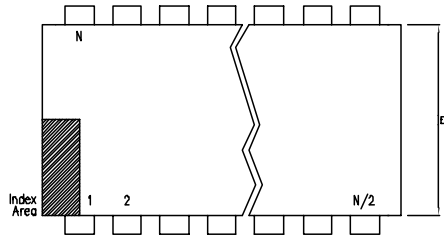
	Min mm	Max mm	Min inch	Max inch
A	1.35	1.75	0.053	0.069
A1	0.10	0.25	0.004	0.010
D	8.55	8.75	0.337	0.344
H	5.80	6.20	0.228	0.244
E	3.80	4.00	0.150	0.157
L	0.40	1.27	0.016	0.050
e	1.27 BSC		0.050 BSC	
b	0.33	0.51	0.013	0.020
c	0.19	0.25	0.008	0.010
O	0°	8°	0°	8°
h	0.25	0.50	0.010	0.020
	Pin Features			
N	14		14	
Conforms to JEDEC MS-012AB Iss. C				

Notes:

1. The chamfer on the body is optional. If it not present, a visual index feature, e.g. a dot, must be located within the cross-hatched area.
2. Controlling dimension are in inches.
3. Dimension D do not include mould flash, protusion or gate burrs. These shall not exceed 0.006" per side.
4. Dimension E1 do not include inter-lead flash or protusion. These shall not exceed 0.010" per side.
5. Dimension b does not include dambar protusion/intrusion. Allowable dambar protusion shall be 0.004" total in excess of b dimension.

© Mitel					
ISSUE	1	2	3	4	
ACN	006745	201937	202596	203707	
DATE	7APR95	27FEB97	12JUN97	9DEC97	
APPROVED					
MITEL SEMICONDUCTOR					

ORIGINATING SITE: SWINDON
Title: Package Outline Drawing for 14 lds SOIC(N)-0.150" Body Width (MP)
Drawing Number GPD00011



	Min mm	Max mm	Min Inches	Max Inches
A		5.33		0.210
A1	0.38		0.015	
A2	2.92	4.95	0.115	0.195
b	0.36	0.56	0.014	0.022
b2	1.14	1.78	0.045	0.070
b3	n/a	n/a	n/a	n/a
c	0.20	0.36	0.008	0.014
D	18.67	19.69	0.735	0.775
D1	0.13		0.005	
E	7.62	8.26	0.300	0.325
E1	6.10	7.11	0.240	0.280
e	2.54		0.100	BSC
eA	7.62		0.300	BSC
eB		10.92		0.430
eC	0.00	1.52	0.000	0.060
L	2.92	3.81	0.115	0.150
N		14		14
Conforms to Jecdec MS-001AA Issue D				

Notes:

1. Leadframe Material: Copper
2. Leadframe finish: Solder Plate
3. Dimensions D, D1 & E1 do not include mould flash or protrusions.
4. Dimensions E & eA are measured with leads constrained to be perpendicular to datum - C -
5. Dimensions eB & eC are measured with the leads unconstrained
6. Controlling dimensions are Inches. Millimeter conversions are not necessarily exact.
7. N is the maximum of terminal positions.

This drawing supersedes:-
 Lincoln drawing # XG4B9
 Oldham drawing # TD/D 609
 Roborough/Swindon drawing # 41B/ED/39502/002

© Mitel

ISSUE	1				
ACN	202539				
DATE	23MAY97				
APPROVED					

MITEL SEMICONDUCTOR

ORIGINATING SITE: Swindon

Title:
14 Lead Plastic DIP Outline Drawing

Drawing Number
GPD00344



<http://www.mitelsemi.com>

World Headquarters - Canada

Tel: +1 (613) 592 2122
Fax: +1 (613) 592 6909

North America

Tel: +1 (770) 486 0194
Fax: +1 (770) 631 8213

Asia/Pacific

Tel: +65 333 6193
Fax: +65 333 6192

**Europe, Middle East,
and Africa (EMEA)**

Tel: +44 (0) 1793 518528
Fax: +44 (0) 1793 518581

Information relating to products and services furnished herein by Mitel Corporation or its subsidiaries (collectively "Mitel") is believed to be reliable. However, Mitel assumes no liability for errors that may appear in this publication, or for liability otherwise arising from the application or use of any such information, product or service or for any infringement of patents or other intellectual property rights owned by third parties which may result from such application or use. Neither the supply of such information or purchase of product or service conveys any license, either express or implied, under patents or other intellectual property rights owned by Mitel or licensed from third parties by Mitel, whatsoever. Purchasers of products are also hereby notified that the use of product in certain ways or in combination with Mitel, or non-Mitel furnished goods or services may infringe patents or other intellectual property rights owned by Mitel.

This publication is issued to provide information only and (unless agreed by Mitel in writing) may not be used, applied or reproduced for any purpose nor form part of any order or contract nor to be regarded as a representation relating to the products or services concerned. The products, their specifications, services and other information appearing in this publication are subject to change by Mitel without notice. No warranty or guarantee express or implied is made regarding the capability, performance or suitability of any product or service. Information concerning possible methods of use is provided as a guide only and does not constitute any guarantee that such methods of use will be satisfactory in a specific piece of equipment. It is the user's responsibility to fully determine the performance and suitability of any equipment using such information and to ensure that any publication or data used is up to date and has not been superseded. Manufacturing does not necessarily include testing of all functions or parameters. These products are not suitable for use in any medical products whose failure to perform may result in significant injury or death to the user. All products and materials are sold and services provided subject to Mitel's conditions of sale which are available on request.

M Mitel (design) and ST-BUS are registered trademarks of MITEL Corporation
Mitel Semiconductor is an ISO 9001 Registered Company
Copyright 1999 MITEL Corporation
All Rights Reserved
Printed in CANADA

TECHNICAL DOCUMENTATION - NOT FOR RESALE